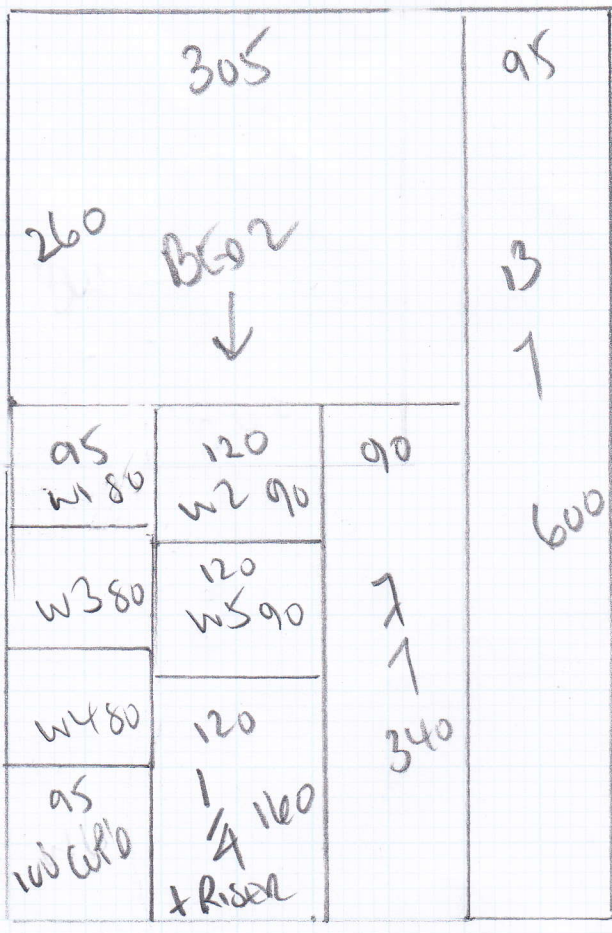
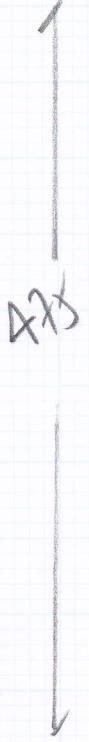
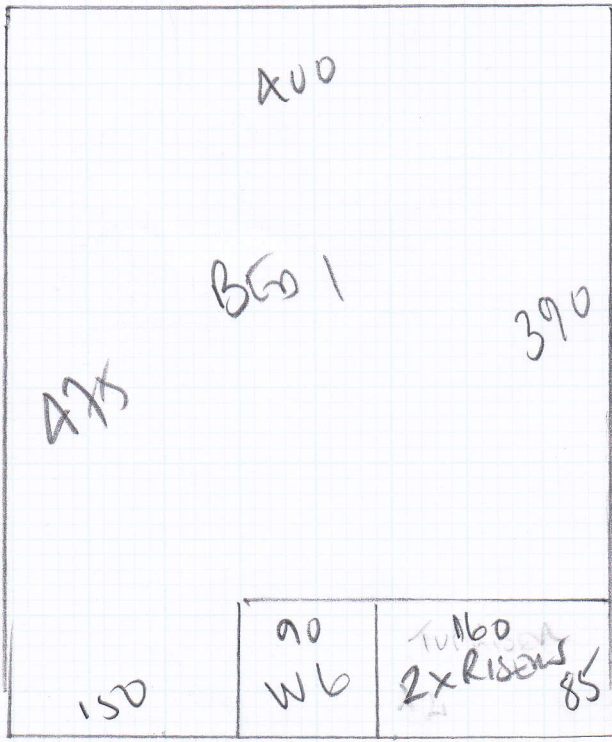


Job No: F24129
 Name: DAVID
 Address: 8 ORBAN ROAD
 SW6 7JY
 Tel:
 Sheet: 1 of 2



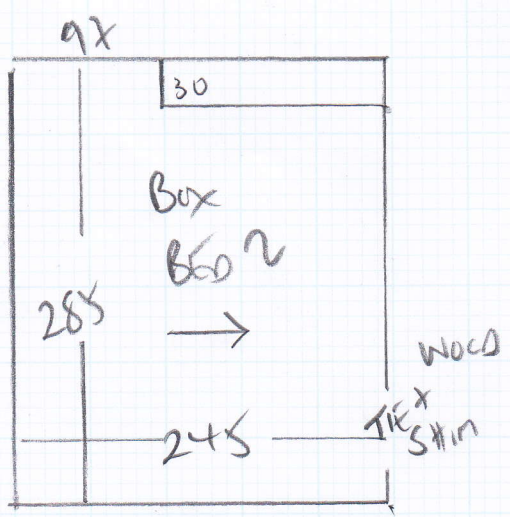
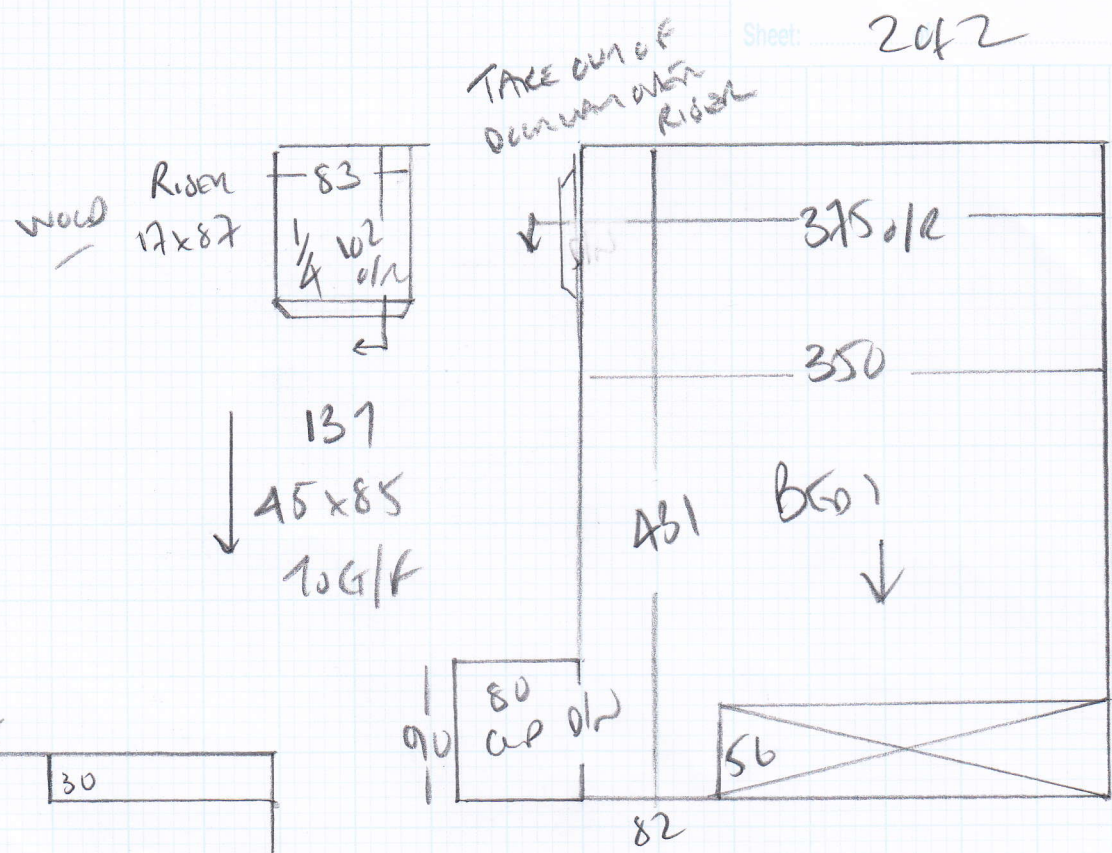
SLEANE TUST A2
 CORU A237 TUSK

PAN1 600 x 400
 PAN2 475 x 400
 1075 x 400



43ml

Job No: F24129
 Name: DAVID
 Address: 8 URBAN ROAD
 SW6 7JY
 Tel:
 Sheet: 2 of 2



- Top Strains
- Riser 20 x 75
 - 71 47 x 80
 - w1 66 x 90
 - w2 80 x 112
 - w3 70 x 77
 - w4 67 x 88
 - w5 76 x 110
 - w6 75 x 73
- To WOOD LANDING