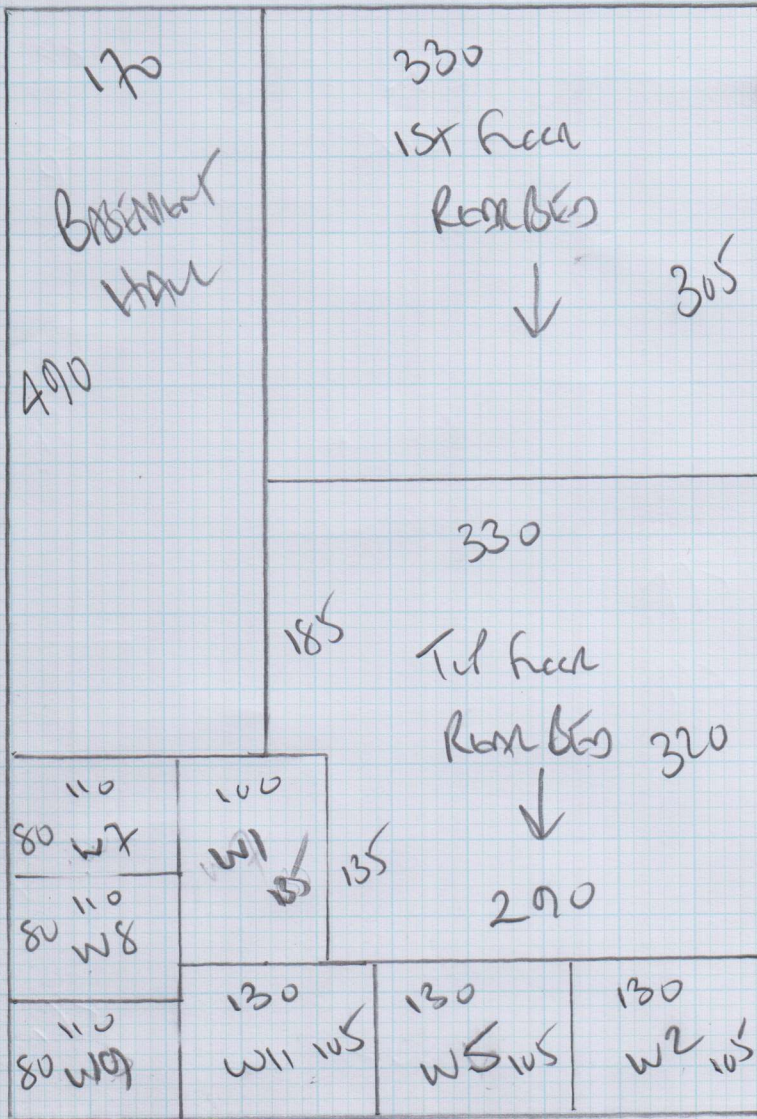


Job No: F24196  
 Name: WILLIAM - MARIUS  
 Address: 18 AILMAL ROAD  
 SW16 4UP  
 Tel: \_\_\_\_\_  
 Sheet: 1 of 6



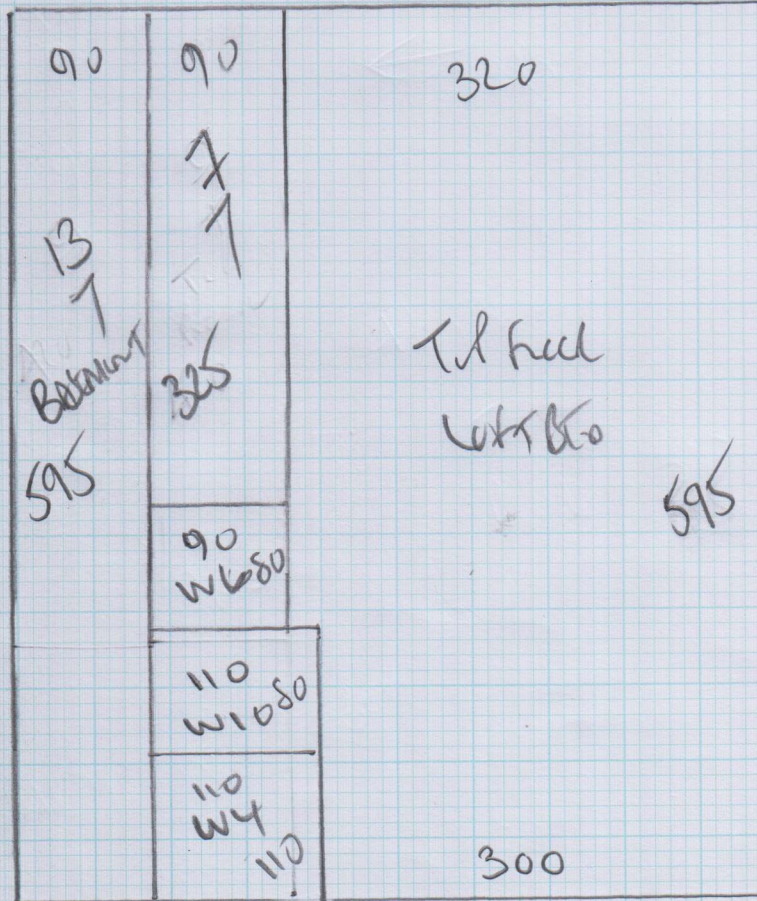
730

Area of  
flo 500

- Room 1 730 x 500
- Room 2 595 x 500
- Room 3 650 x 500

- Basement 775 x 500
- 1st floor 440 x 500
- Front 650

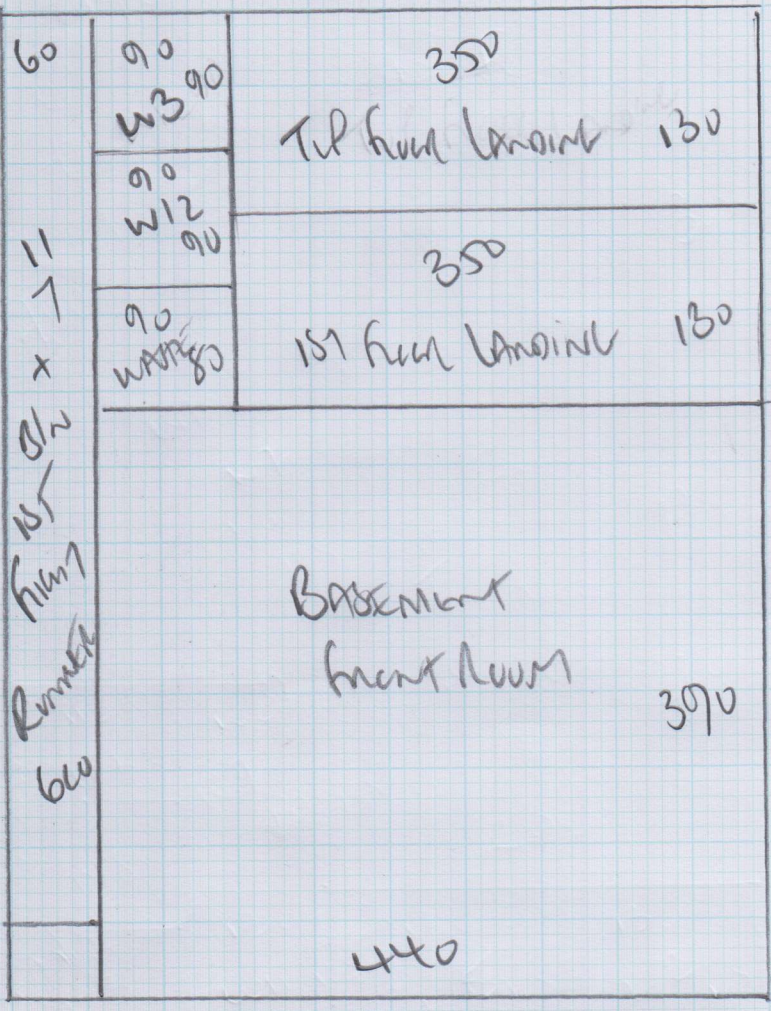
31.90 x 500



595

159.50 m<sup>2</sup>

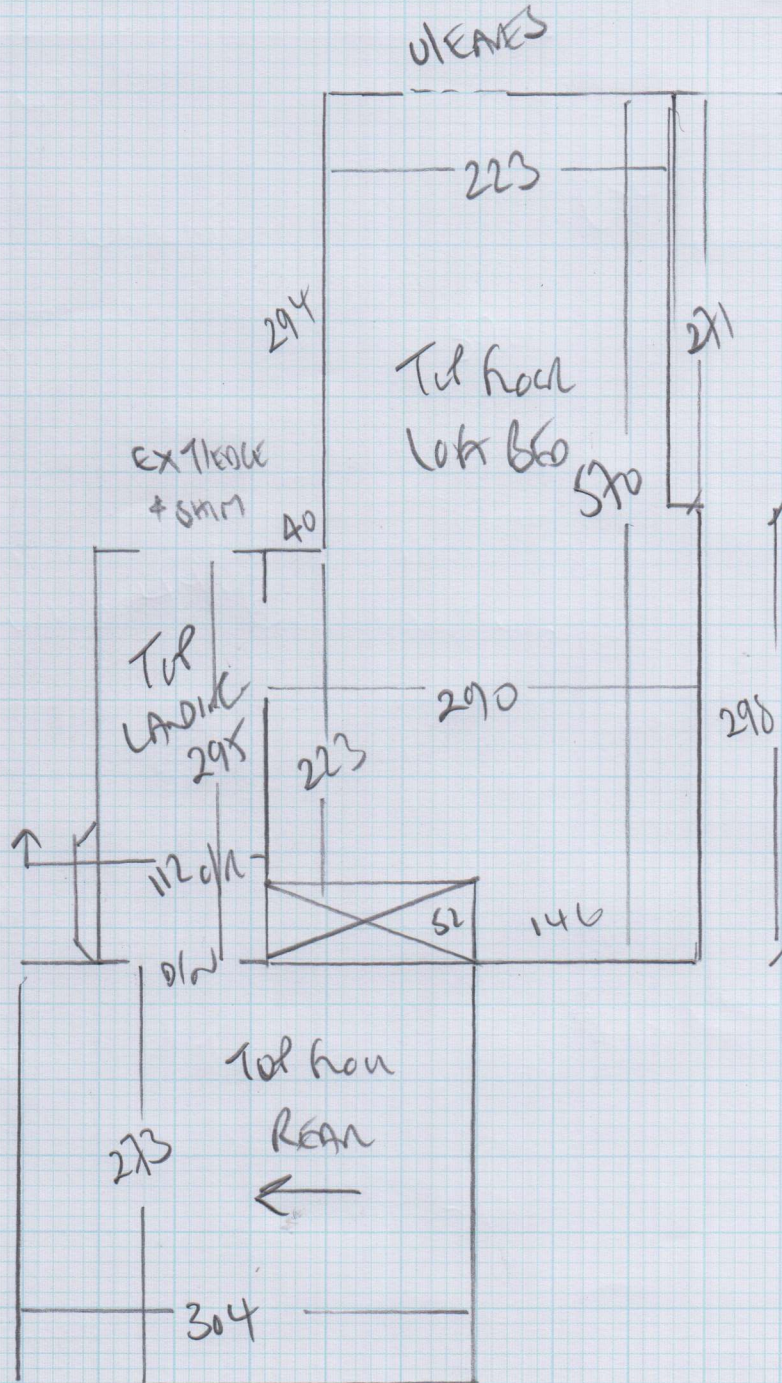
- Lino flooring
- 738/12
- 330 x 400
- Ground floor
- Front room



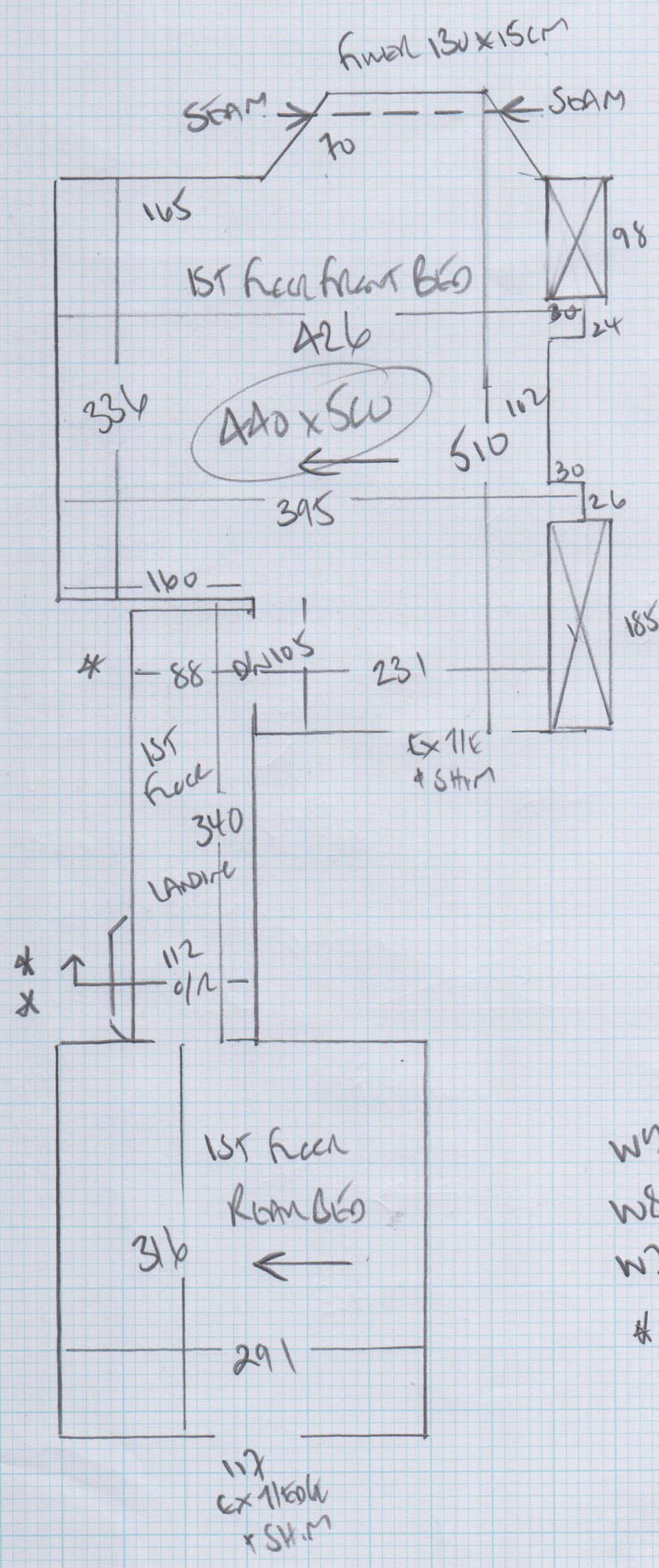
Job No: f24196  
 Name: William Morris  
 Address: 18 ARLMAN ROAD  
 SW6 4UP  
 Tel:  
 Sheet: 2 of 4

Job No: F2A196  
 Name: William Morris  
 Address: 18 Ackman Road  
 Sub 4up  
 Tel:  
 Sheet: 3 of 4

- \* w1 96 x 95
- w2 112 x 75
- w3 75 x 68
- 77
- w4 45 x 80
- w5 90 x 63
- w6 113 x 68
- w6 80 x 70

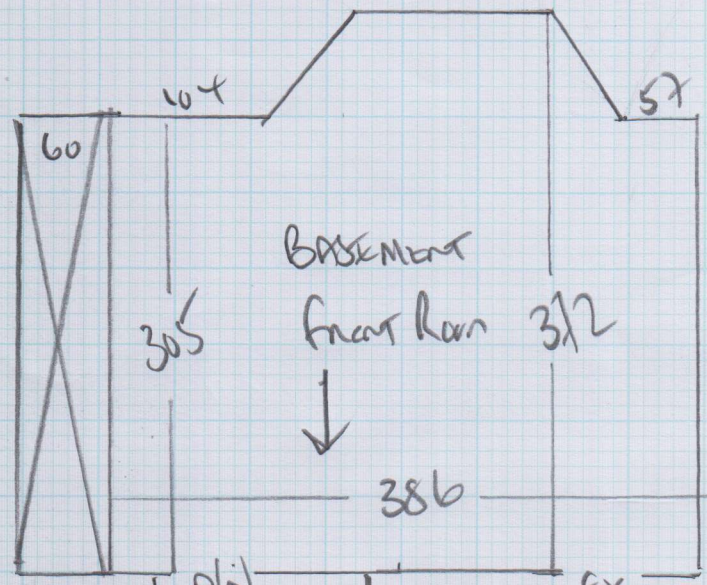


Job No: F24196  
 Name: WILSON - MORAN  
 Address: 18 ACUMAR ROAD  
 Suburb  
 Tel:  
 Sheet: 4 of 6

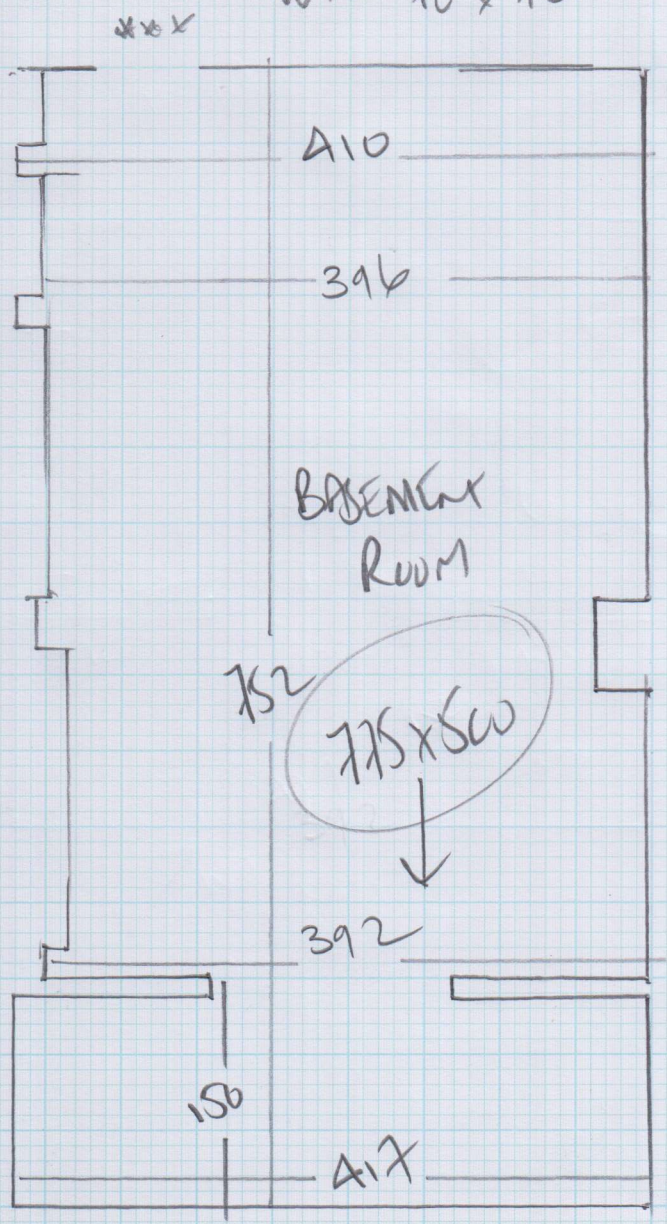
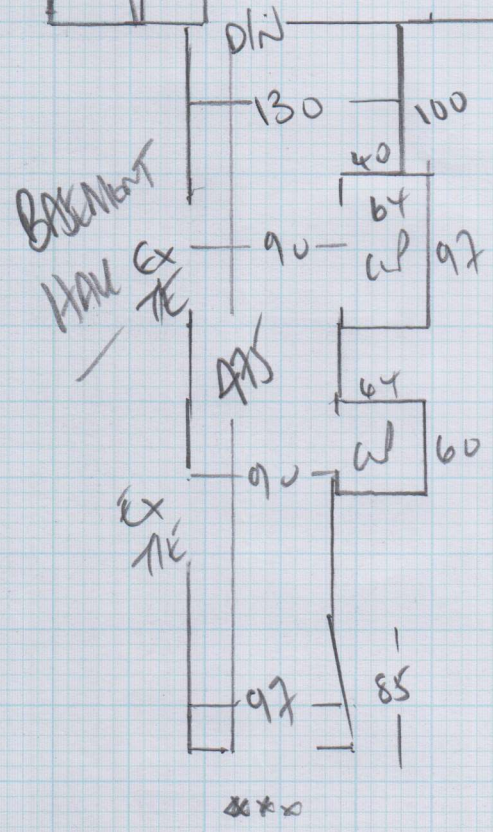


- |             |   |                  |
|-------------|---|------------------|
| BRNASE      | } | 60cm             |
| 50 x 105    |   |                  |
| 117         |   |                  |
| 45 x 80     |   |                  |
| WN 68 x 75  | } | 650 x 60cm       |
| WB 75 x 115 |   |                  |
| W7 68 x 96  |   |                  |
| **          | } | TEMPLATE WINDOWS |
|             |   |                  |
|             |   | 7, 8, 9 ON SITE  |

Job No: F24196  
 Name: WRIGHT MORRIS  
 Address: 18 AULMALLAN  
 SW6 4UP  
 Tel:  
 Sheet: 5 of 6



- BASEMENT STAIRS
- RISE 20x80
  - 137 45x80
  - W10 65x92
  - W11 65x110
  - W12 70x75

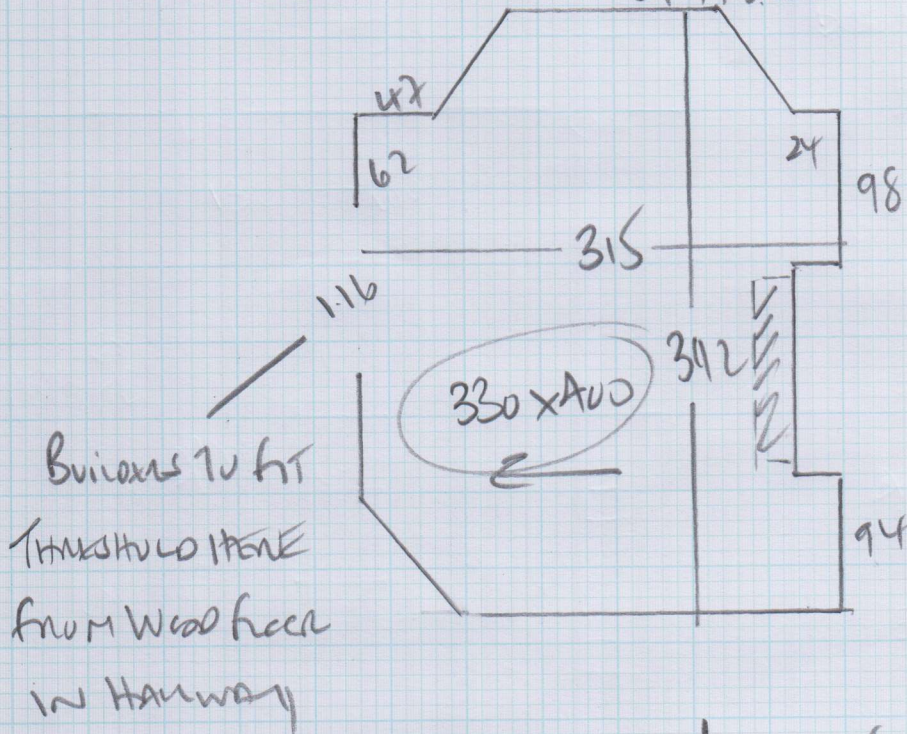


LOW LOG UNDERLAY  
 TO BASEMENT AREAS  
 UNDERFLOOR HEATING  
 + STICK GUPTERCOAS  
 = =

Job No: F2496  
 Name: William - Mervin  
 Address: 18 ALCMAR ROAD  
 Suite 407  
 Tel: \_\_\_\_\_  
 Sheet: 6 of 6

Ground floor  
 front room

\* Different carpet to rest of house



LINO HALLWAY  
 738 / 12  
 330 x AUM