

Job No: F24223
 Name: EYKUNG LTD
 Address: 35 ST MARK RD
 SW6 4DR
 Tel:
 Sheet: 1 of 3

STOCK NATURAL 4
 COLOR MIK 130

PLAN 640 x 500
 32m²

SSN4 MIK 130
 Bedrooms
 4-SS x SMTR - Front
 3-30 x SMTR - Rear

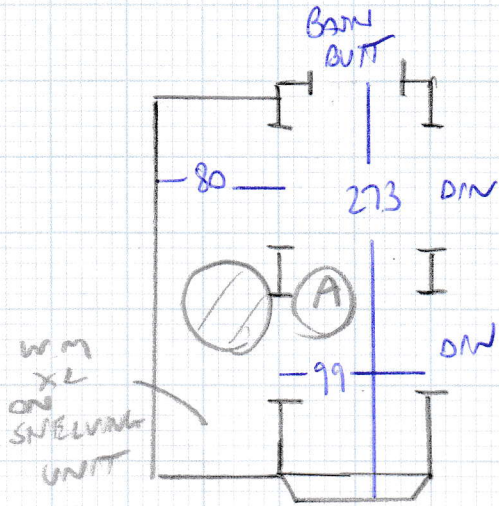
Job No: F24223

Name: EYKING LTD

Address: 35 ST MAUR RD
SW6 4DR

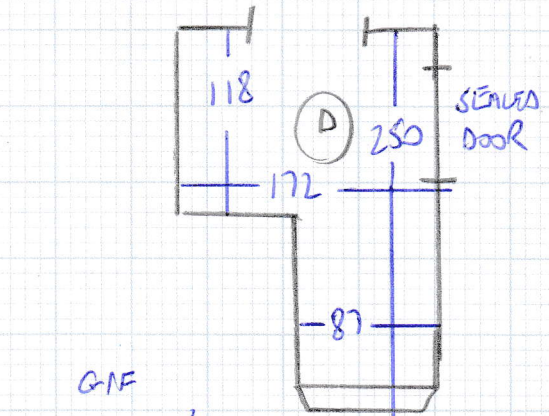
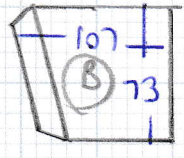
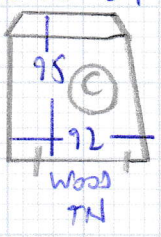
Tel:

Sheet: 2 of 3



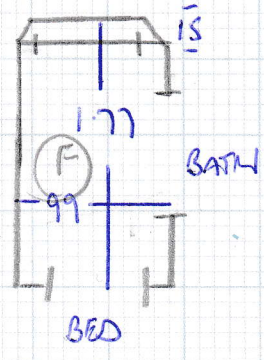
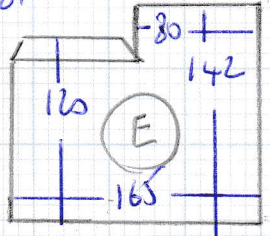
1 BN 99x47
7 STRS - 84

6 STRS - 80



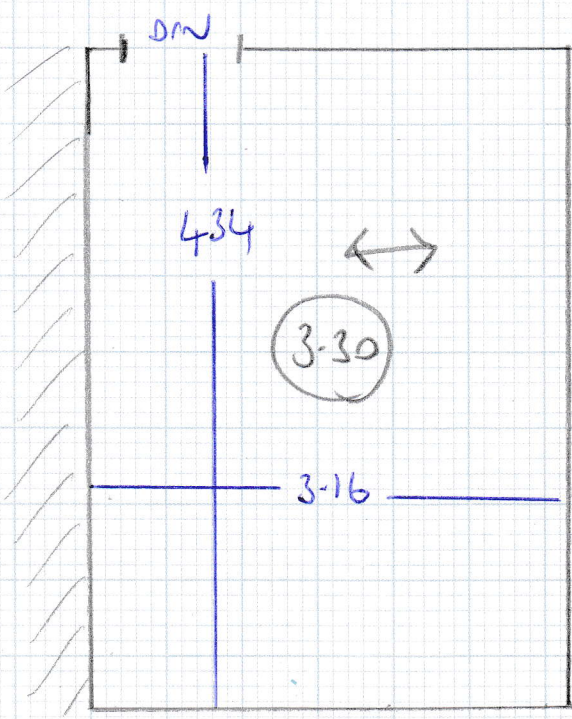
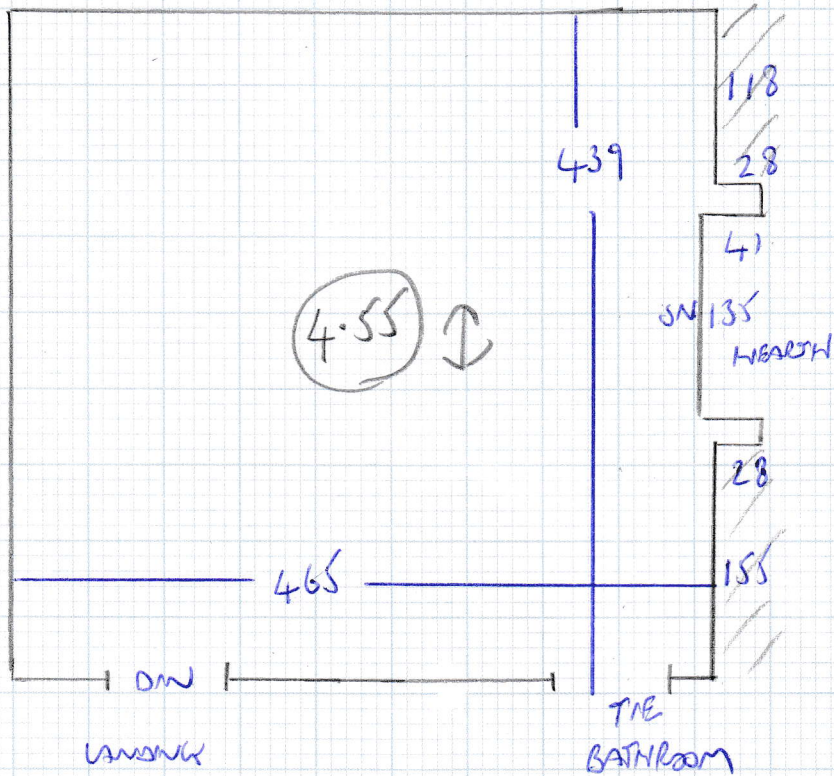
KITCH
2 BN 97x45
11 STRS - 81

4 STRS - 80



} IN BEDROOM ?

Job No: F24223
 Name: EYKING LTD
 Address: 35 ST. MAUR RD
 SW6 4DR
 Tel:
 Sheet: 3 of 3



$$\begin{array}{r} 4.55 \\ 3.30 \\ \hline 7.85 \text{m} \times 5.00 \text{m} \\ = 39.25 \text{m}^2 \end{array}$$