

mrcarpet
DESIGNS FOR FLOORS

301 Munster Road
Fulham
SW6 6BJ

Tel Nr: 020-7381-1989
Fax Nr: 020-7385-4006

ROLL BREAKDOWN

Job No: F24266
Customer Name: Harris
Carpet: Sloane Twist '50'
Colour: SLO 5030 Rosemary

8.65m x 4.00m ordered with Cormar

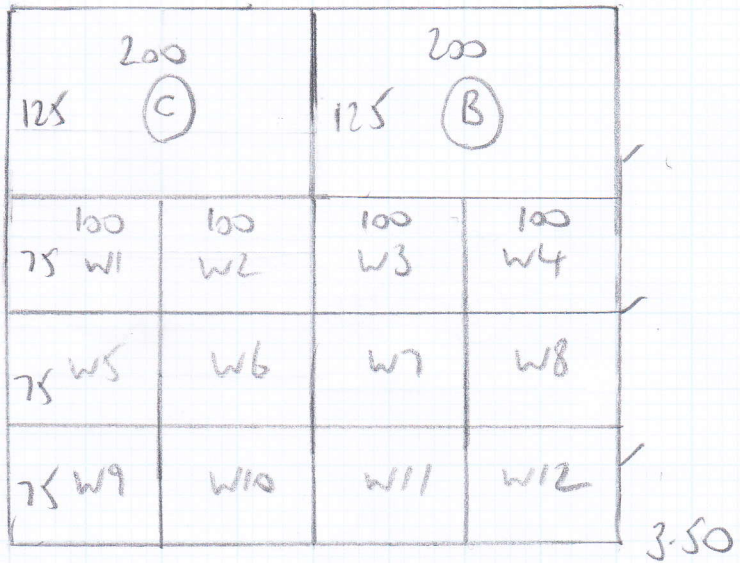
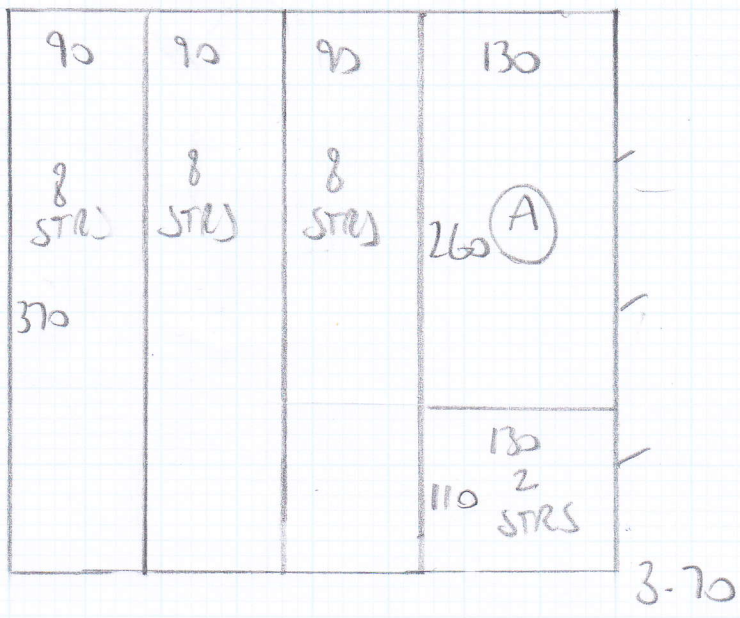
Cutting Plan 1 3.70m x 4.00m
Cutting Plan 2 3.50m x 4.00m
Landing 1.45m x 4.00m

=====
Total 8.65m x 4.00m
=====

Many Thanks

Colin

Job No: F24266
 Name: HARRIS
 Address: 7 LORD NAPIER PLACE
 LONDON W6 9UB
 Tel:
 Sheet: 1 of 2



SCALE MUST '50'
 50 5030 ROSEMARY

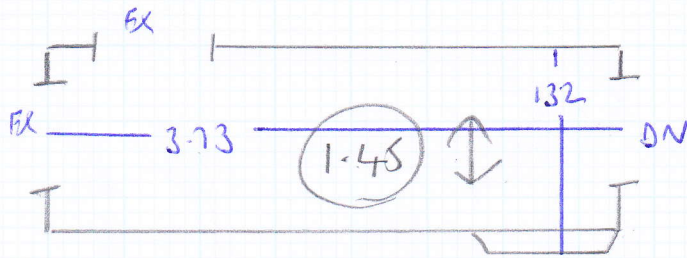
Row Breakdown

- Row 1 370 x 400
 - Row 2 350 x 400
 - LANDING 145 x 400
-
- 865 x 400

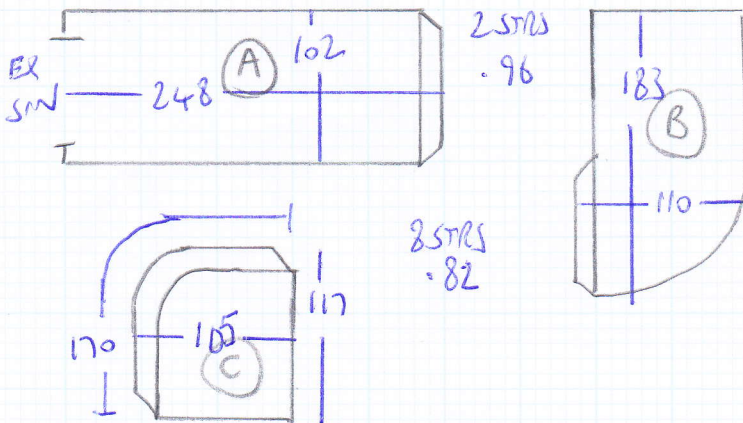
Top Floor

- RISE 72x16
- 1 W 78x62
- 2 W 80x60
- 3 W 78x60
- 8 STRS 74
- 4 W 77x62
- 5 W 80x60
- 6 W 78x60

Job No: F24266
 Name: HARDS
 Address: 7 LORD NAPIER PLACE
 W6 9UB
 Tel:
 Sheet: 2 of 2



- 7 W 78x62
- 8 W 80x60
- 9 W 78x60
- 8 STRS - 74
- 10 W 77x62
- 11 W 80x60
- 12 W 78x60



(RISE - 15)
 G/F

18

MAT 47 x 96 INTO EXISTING WELL.