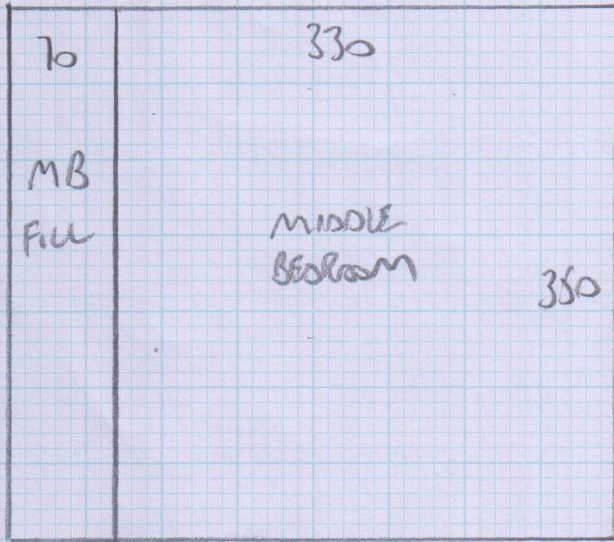
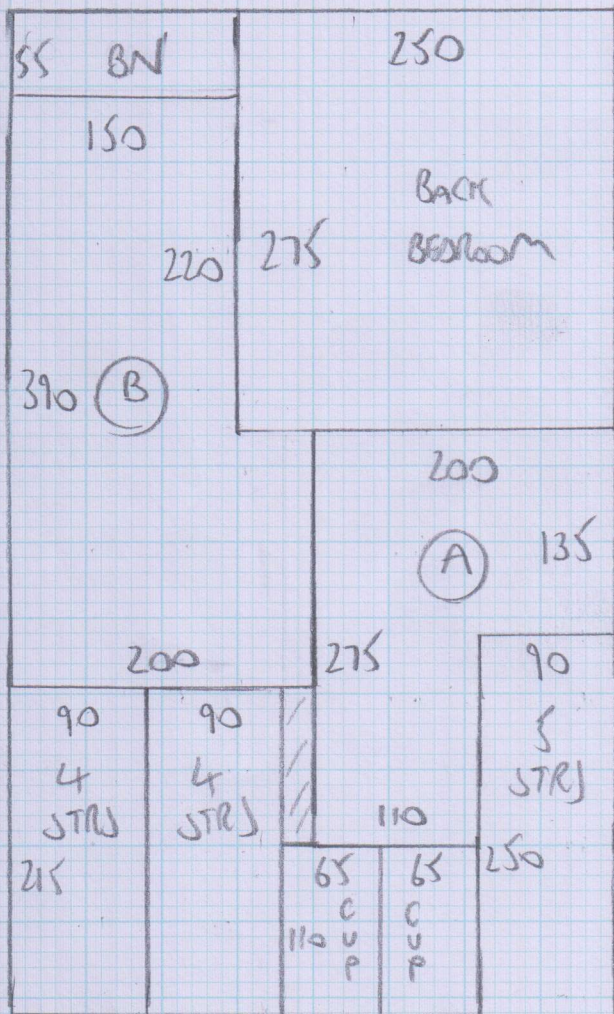


Job No: F24308
 Name: KANE
 Address: 26 RAINVILLE RD
 WB 9HA
 Tel:
 Sheet: 1 of 2



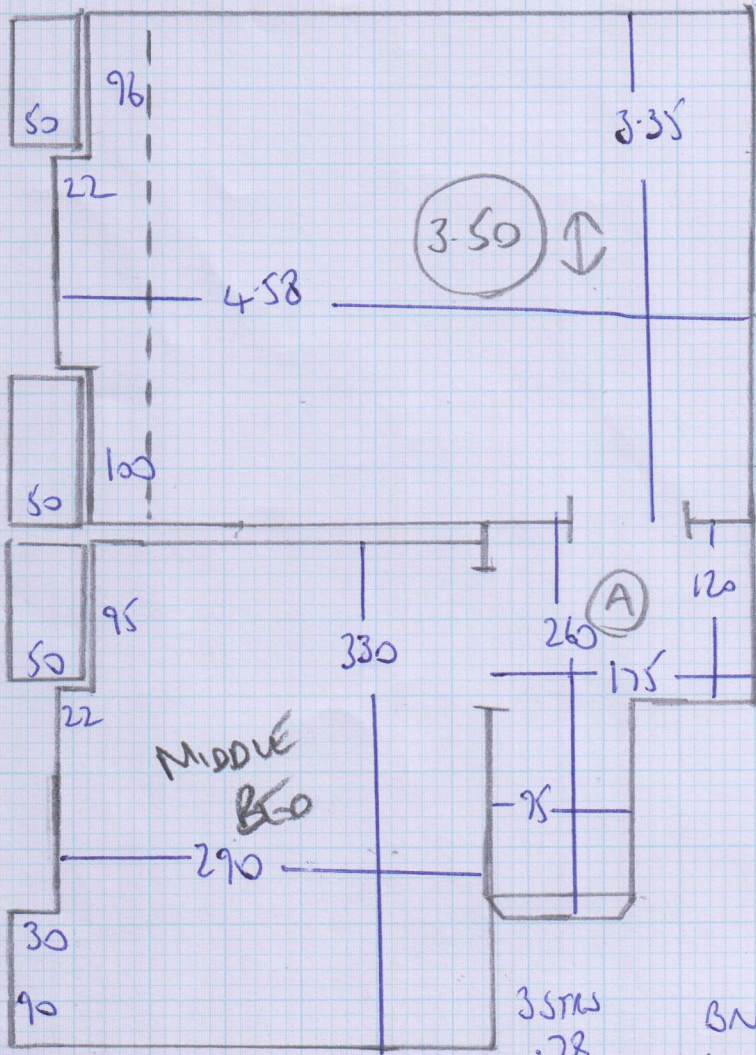
3.50 WEST VILLAGE
 Color WV101



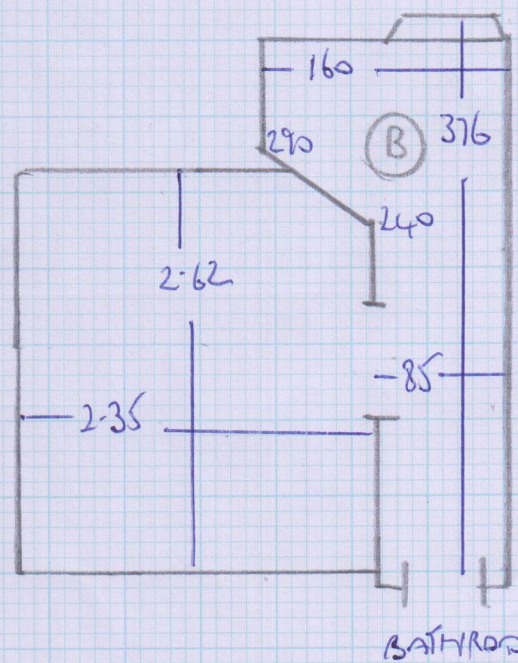
Ran 1 350 x 400
 Ran 2 660 x 400
 MASTER BDR 350 x 400
1360 x 400

FIRST FLOOR

Job No: **F24308**
 Name: **KANE**
 Address: **26 RAINVILLE ROAD**
W6 9HA
 Tel:
 Sheet: **2 of 2**



G/F
 BN 98x45
 10 STRS 78



BATHROOM

75 SUN M
 SILICONE
 10 (opaque) STRIPS - 85.00
 WOOD - 120.00
 PAINT - 10.00
 215.00
 2375.00 ✓