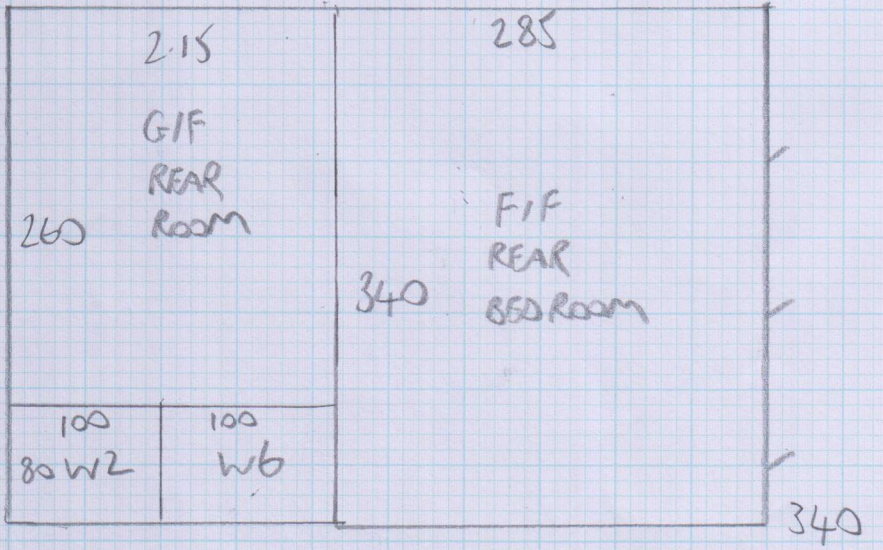
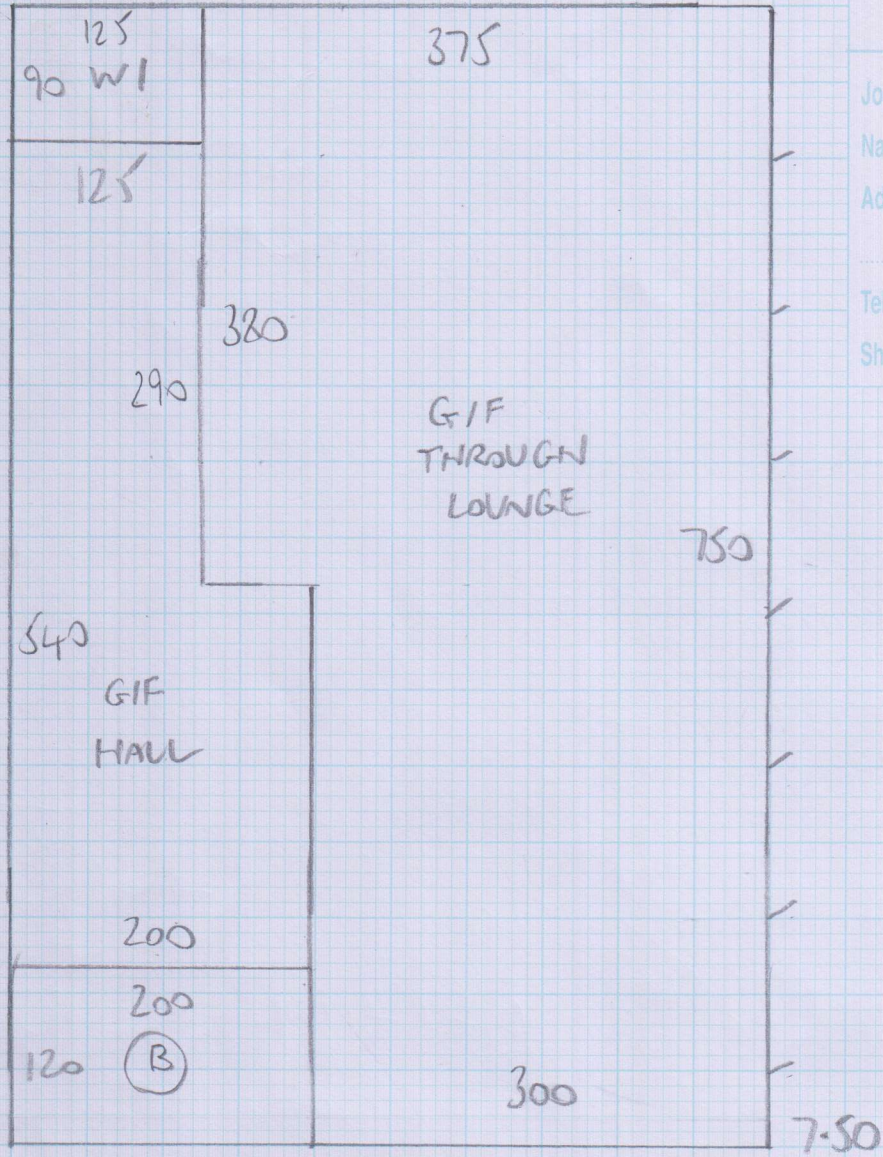
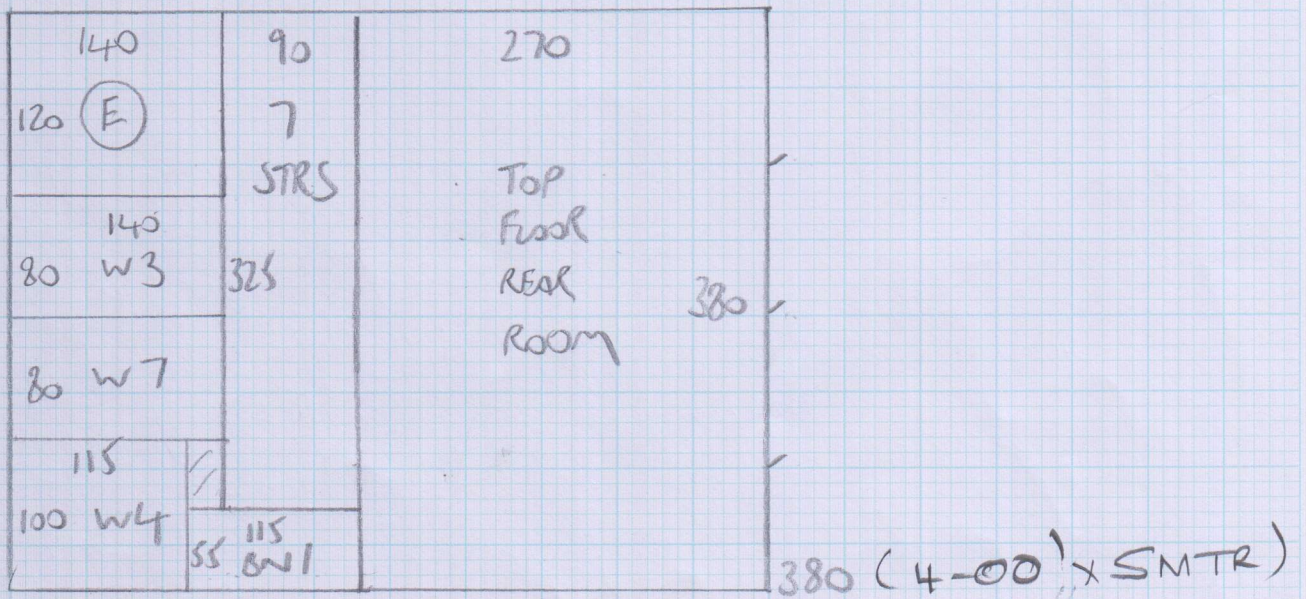
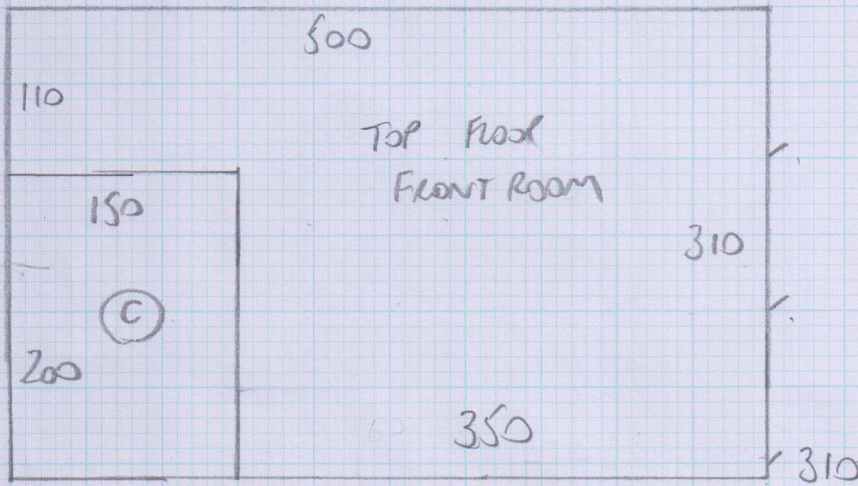
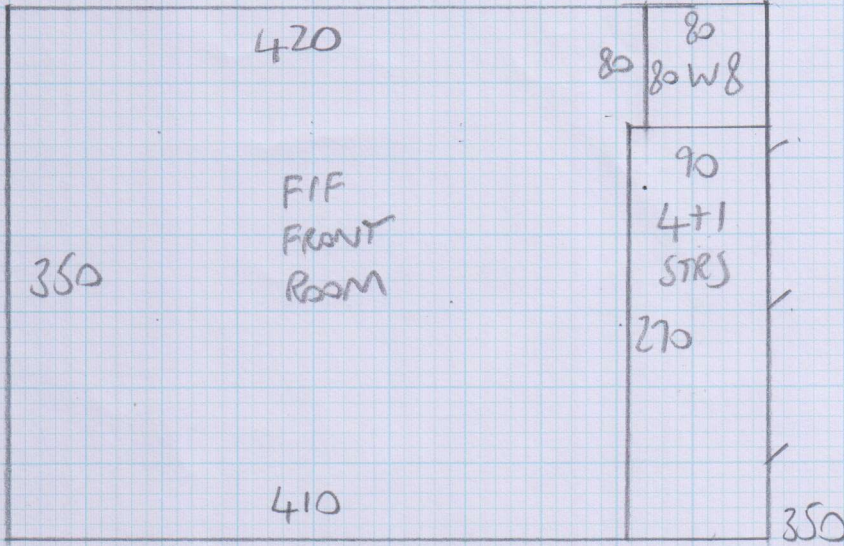
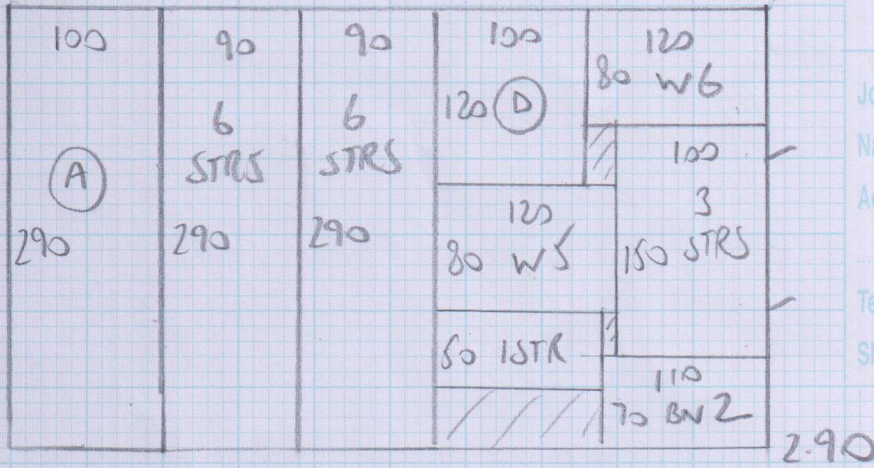


Job No: 529369  
 Name: VAN LENNEP  
 Address: 26 REEBTON ROAD  
 SW6 7JR  
 Tel: \_\_\_\_\_  
 Sheet: 1 of 6



Job No: F24369  
 Name: VAN LENNEP  
 Address: 26 REBUN ROAD  
 SW6 7JR  
 Tel:  
 Sheet: 2 of 6





Job No: F24369  
 Name: VAN LENNEP  
 Address: 26 REBOUWEN ROAD  
 SW6 7JR  
 Tel:  
 Sheet: 3 of 6

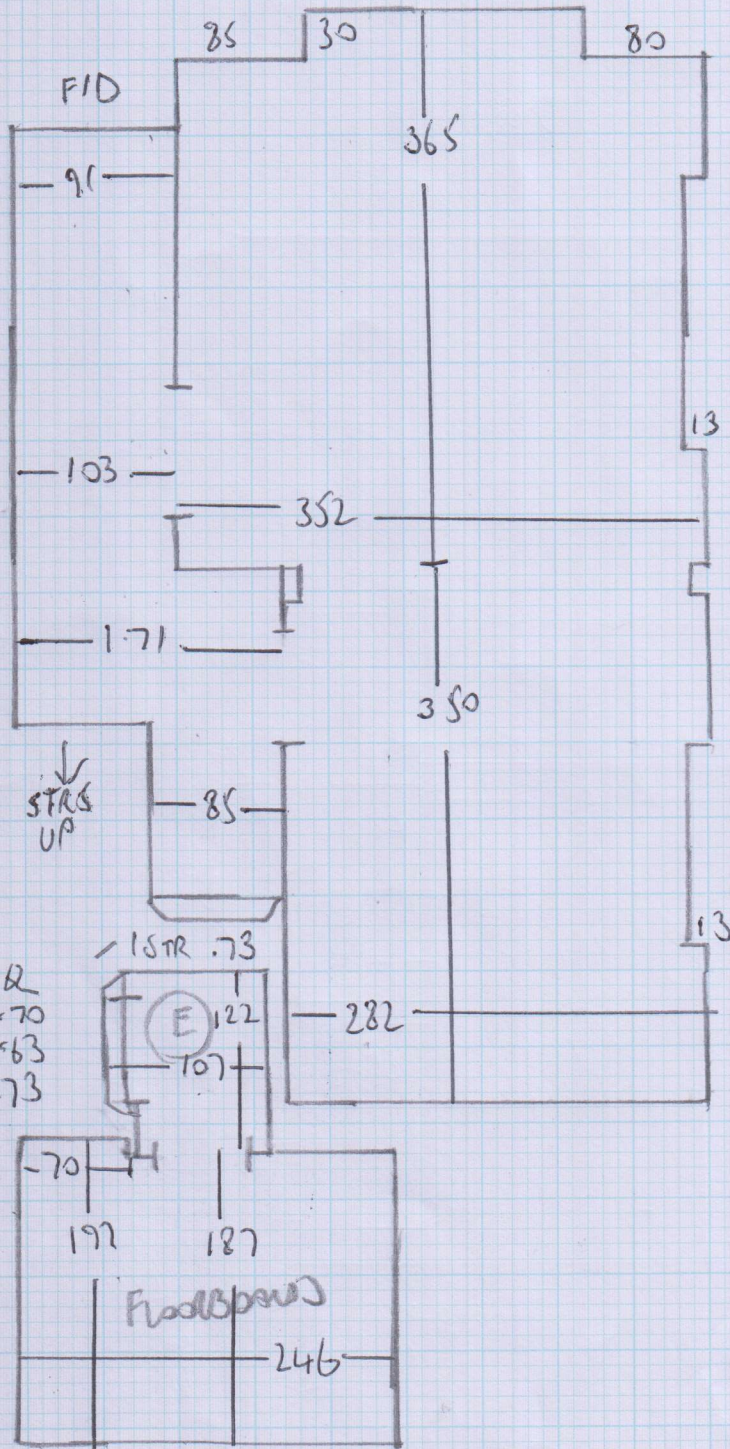
- 7-50 PLAN
- 3-40 PLAN
- 3-50 PLAN
- 3-10 PLAN
- 4-00 PLAN
- 2-90 PLAN

$$24.20m \times 5.00m = 121.00m^2$$

SSN4 MIK130

GROUND FLOOR

Job No: F24369  
 Name: VAN LENNEP  
 Address: 26 REPOORTON ROAD  
 SW6 7JR  
 Tel:  
 Sheet: 4 of 6



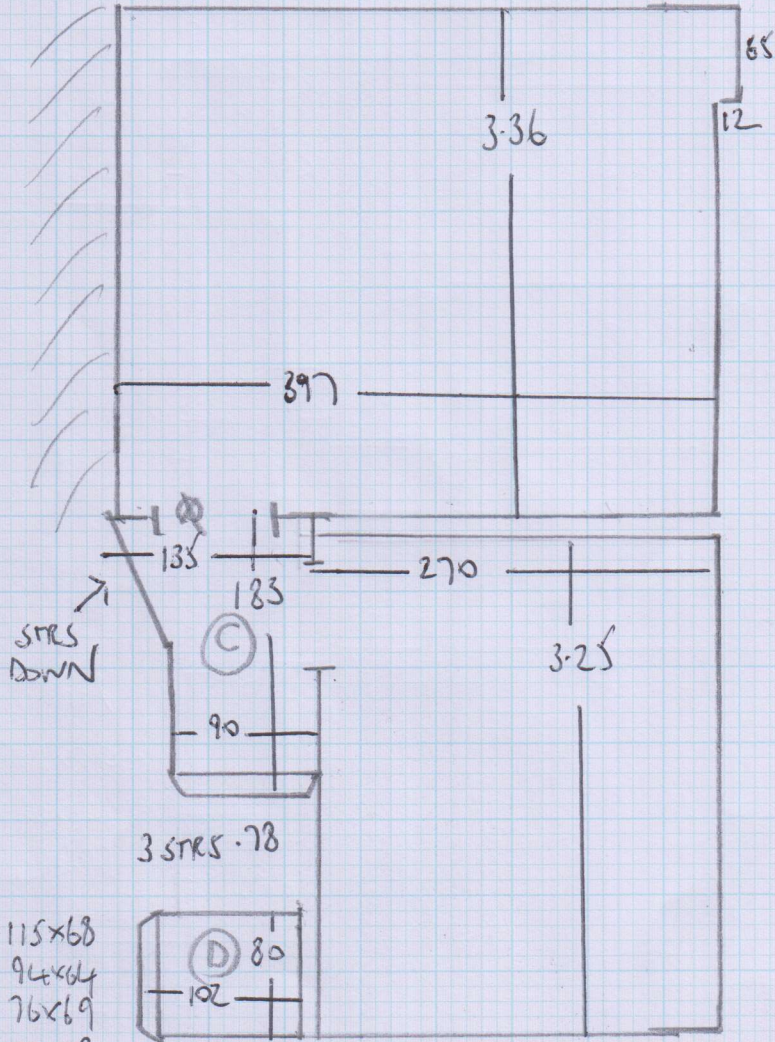
- 6 W 95x12
- 7 W 110x70
- 8 W 72x63
- 6 STRS .73
- 2 BN 93x66
- BASEMENT

Job No: F24369  
 Name: VAN LENNEP  
 Address: 26 REPINGTON ROAD  
 SW6 7JR

Tel: \_\_\_\_\_

Sheet: 5 of 6

FIRST FLOOR

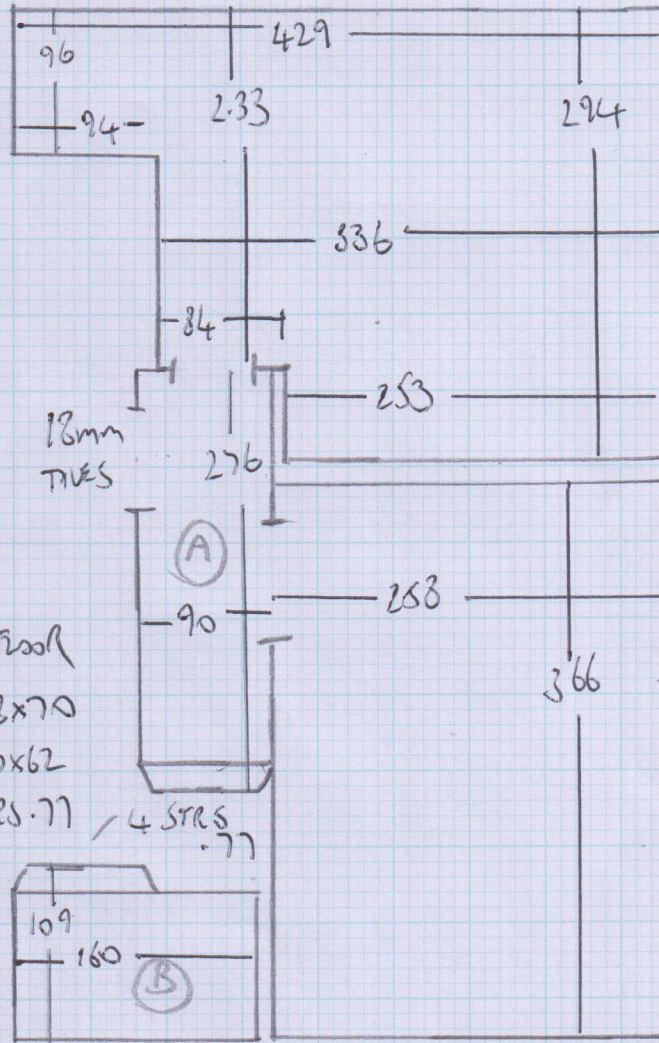


- / 3 W 115x68
  - / 4 W 94x64
  - / 5 W 76x69
  - / 6 STRS - 78
  - / 1 BN 95x45
- GIF

STPS 90x40  
 BATHROOM  
 TIE  
 (15mm TUBES)

Job No: F29369  
 Name: VAN LENNEP  
 Address: 26 REDBURN ROAD  
 SW6 7JR  
 Tel: \_\_\_\_\_  
 Sheet: 6 of 6

TOP FLOOR



ALL  
BARE  
FLOORS

FIRST FLOOR  
 - 1 W108x70  
 - 2 W90x62  
 - 7 STRS. 77

4 STRS. 77