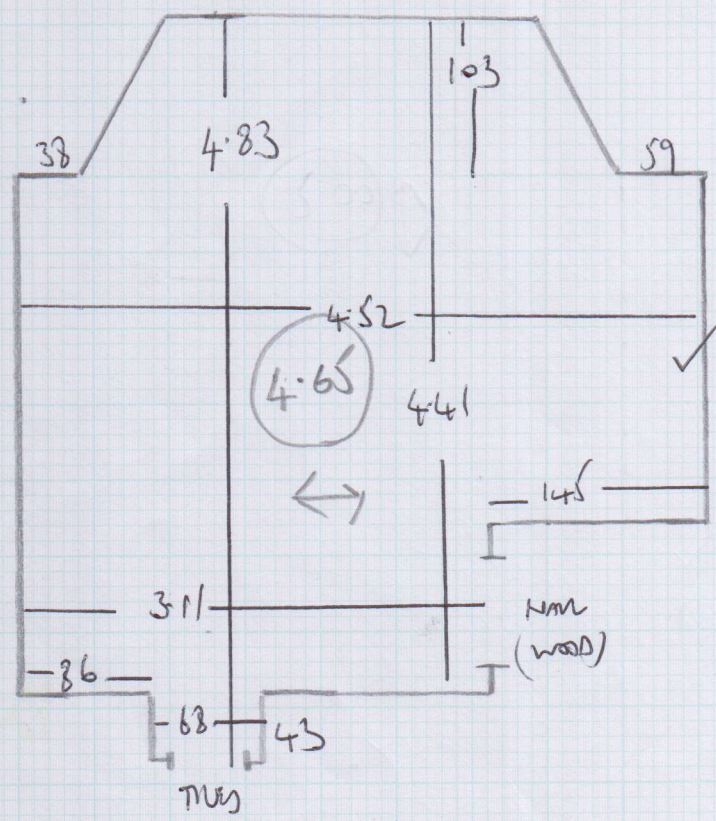
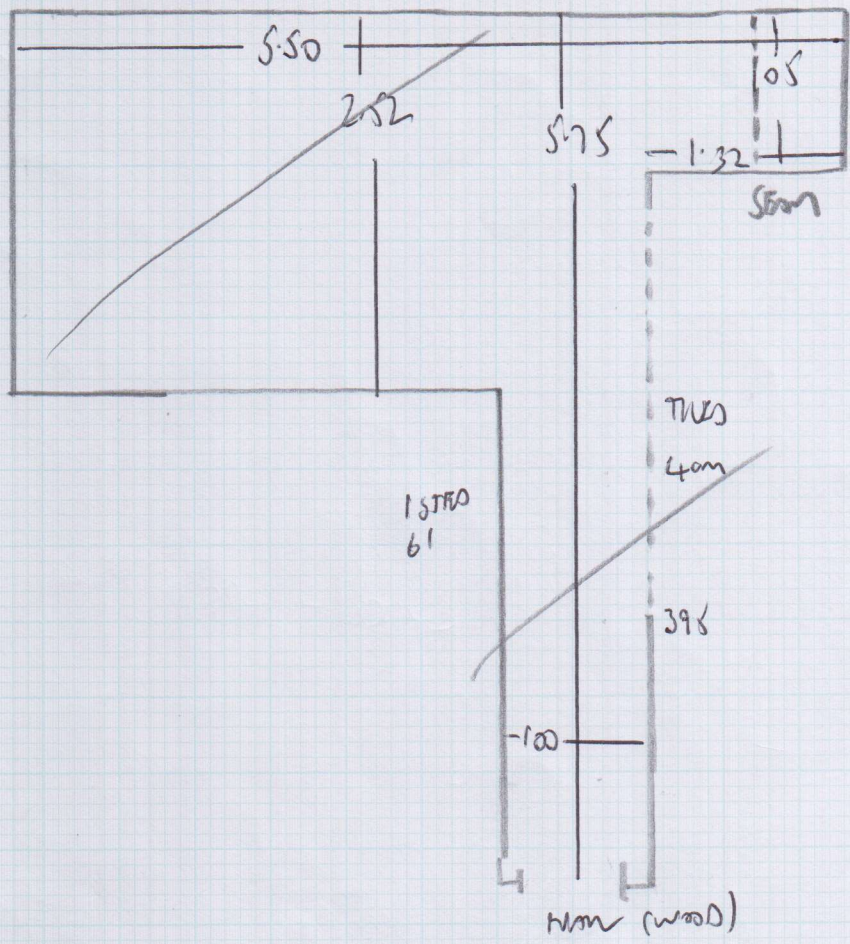


Job No: F24453  
 Name: Blackway  
 Address: 53 NAPIER AVE  
 SW6 3PS  
 Tel:  
 Sheet: 1 of 1



HAWAI  
 638113  
 PEBBLE BOARD  
 14-65 x 5 MTR  
 Re-use  
 existing  
 underlay &  
 Sledge