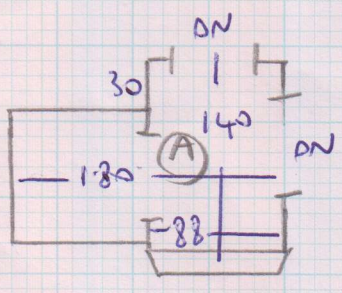


Job No: **f24488**
 Name: **KHATIB**
 Address: **13 Bowfield Farm St**
SW6 3TN
 Tel: _____
 Sheet: **1 of 2**

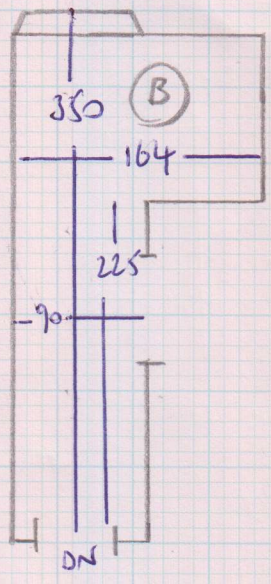
FINELOCF
FLO - A92
650 x 500M

Job No: **F 24488**
 Name: **HATIB KHATIB**
 Address: **13 BOWERDEAN STREET**
SW6 3TN
 Tel: _____
 Sheet: **2 of 2**



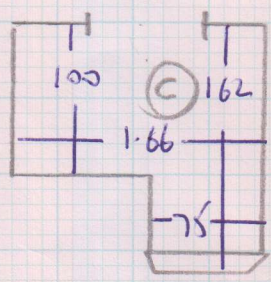
9 STRS 76x42

8 STRS 75x42



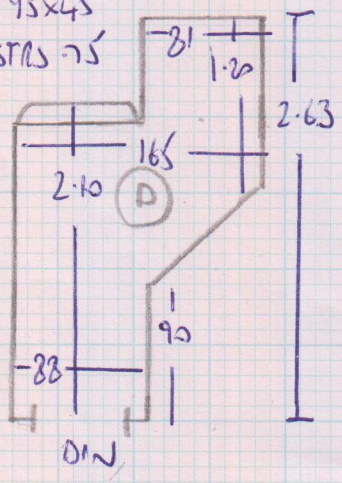
BASMENT FLIGHT

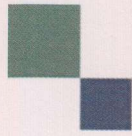
9 STRS 65 - RUNNER 50



6 STRS 75

G/F
 DN 95x45
 10 STRS 75





mrcarpet
DESIGNS FOR FLOORS

301 Munster Road
Fulham
SW6 6BJ
T 020-7381-1989
F 020-7385-4006

BH CARPETS - WHIPPING / BINDING FORM

Tel - 020-8665-9110 email: bhcarpets@gmail.com Fax 020-8665-6611

Customer Name: REEM KHATIB

Job No.: F24560

Description of carpet: FINELOOP FLO-492

Whipping / ~~Blind Binding~~ / ~~Top Taping~~

~~All Round~~ / Sides only (for Stair Runner) / Basement

Colour of Binding tape: — Size of Binding tape: —

Amount showing on top — Colour of Whipping: TO MATCH

Number of pieces: 1

Ready to collect on: 23 / 11 / 15 Needed back by: 30 / 11 / 15

Sizes to be cut to: 4-35 x 0-50 CM

Whipping: 9 metres @ £2.00 linear metre £ 18-00

Apply Tape: — metres @ £6.00 linear metre £ —
(Supplied by MRC)

Blind Taping: — metres @ £7.00 linear metre £ —
(including. Tape)

Trimming Charge (if applicable) £ —

ANY QUERIES CALL:

Total £ 18-00

Colin John

Paul

Collect from:
Warehouse / Fulham Shop

Deliver Back to:
Warehouse / Fulham Shop

Mr Carpet Use. (Copy to be faxed to Shop & accounts Dept. when returned)

Date Collected: _____ Collected By: _____

Date Returned: _____ Returned By: _____

Invoice No: _____ Comments: _____