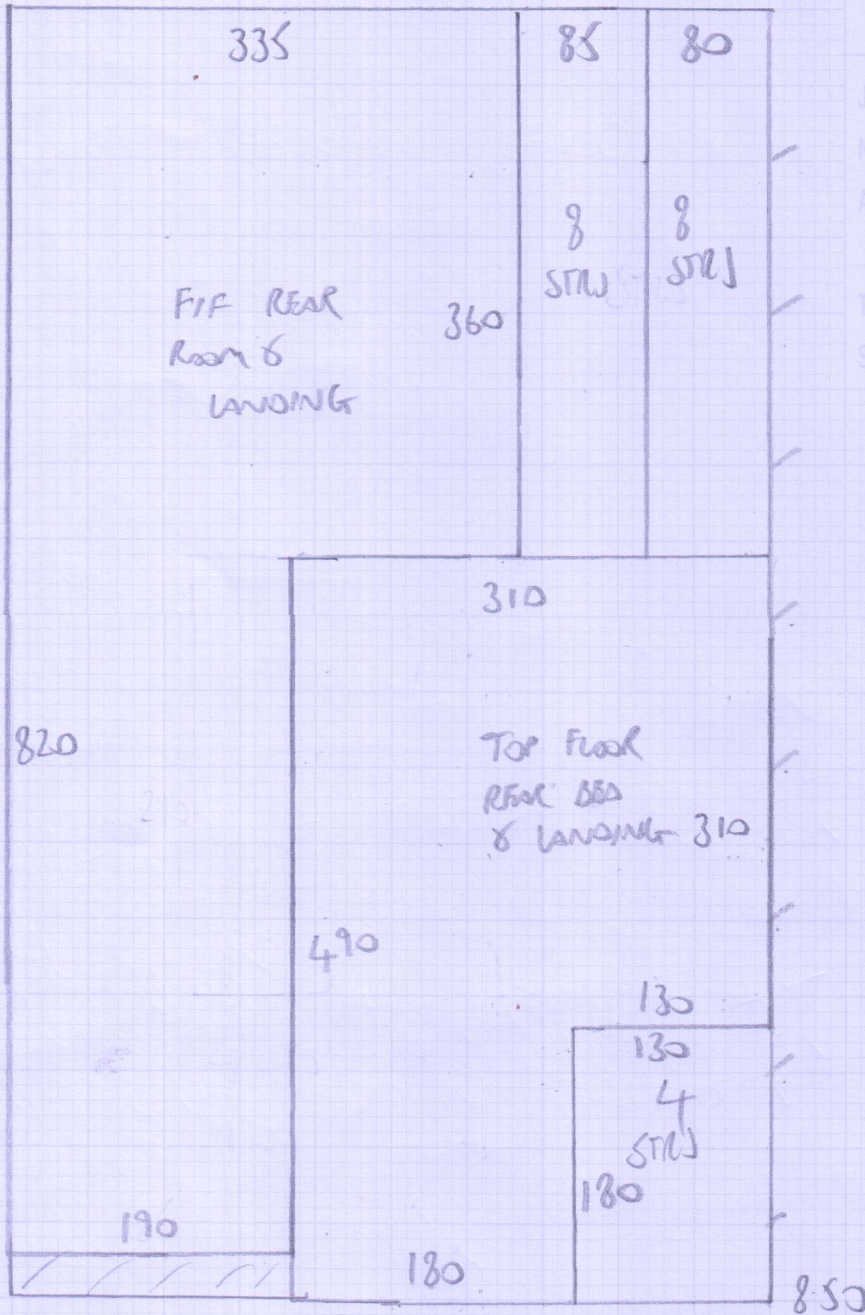


Job No: F25181
 Name: JO COHAN ARON
 Address: 13 FEWEN ST
 SW6 SAR
 Tel:
 Sheet: 1 of 5



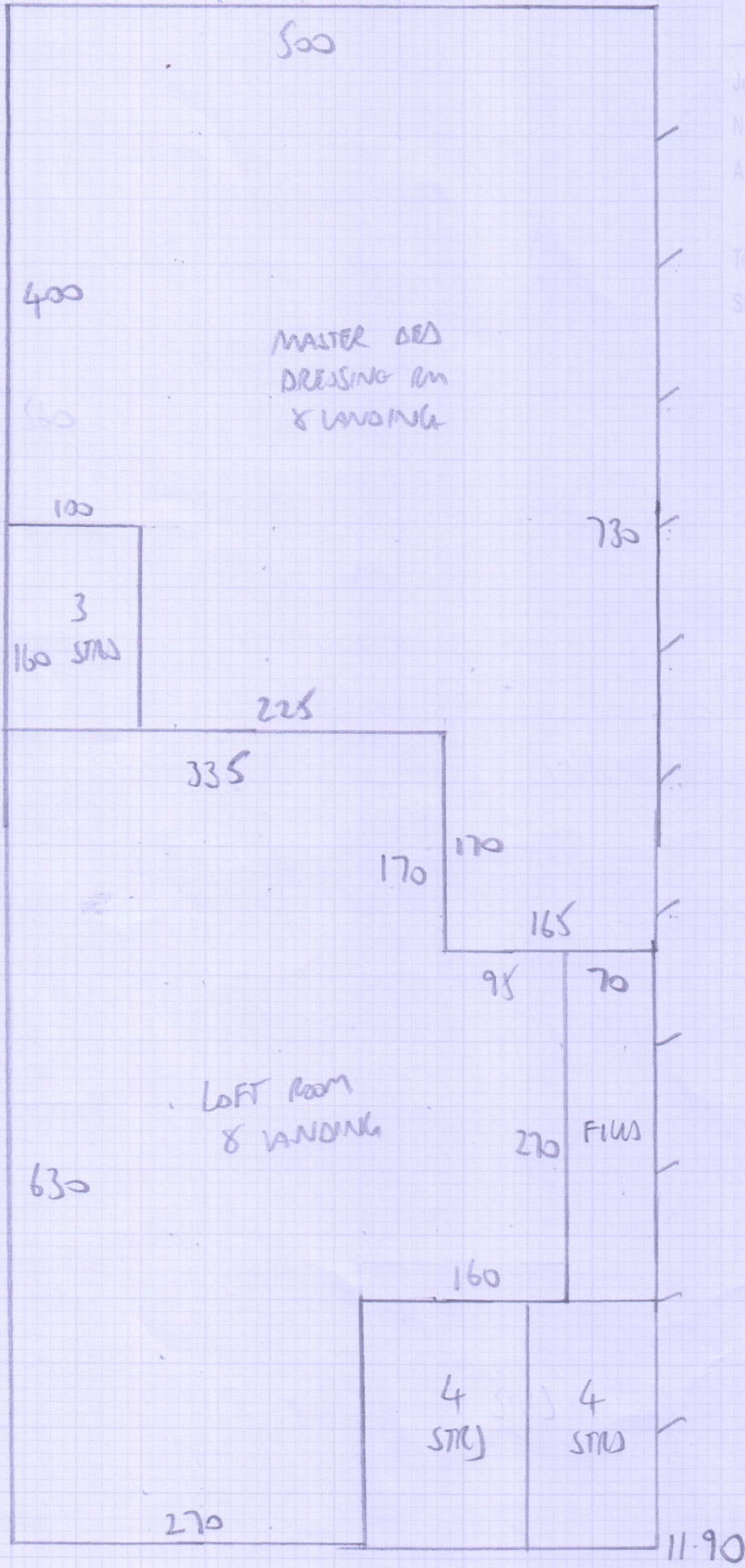
SHIRAZI - SHI - 02

ROLL ORDERED
25-00 X SMTR

- 8-50 - CIP
- 11-90 - CIP
- 3-85 - BASEMENT ROOM

24-25M

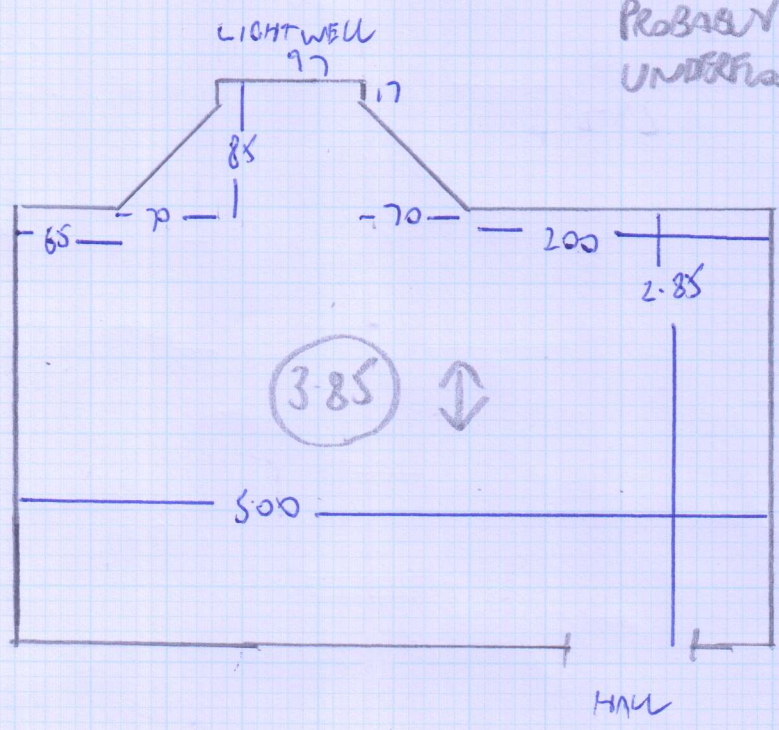
Job No: F25181
Name: JO COLMAN ARON
Address: 13 FEWEN ST
SW6 SAE
Tel:
Sheet: 2 of 5



Job No: F25151
Name: JO COWEN ARCHITECTS
Address: 13 FEWEN ST
SW6 SAE
Tel:
Sheet: 3 OF 5

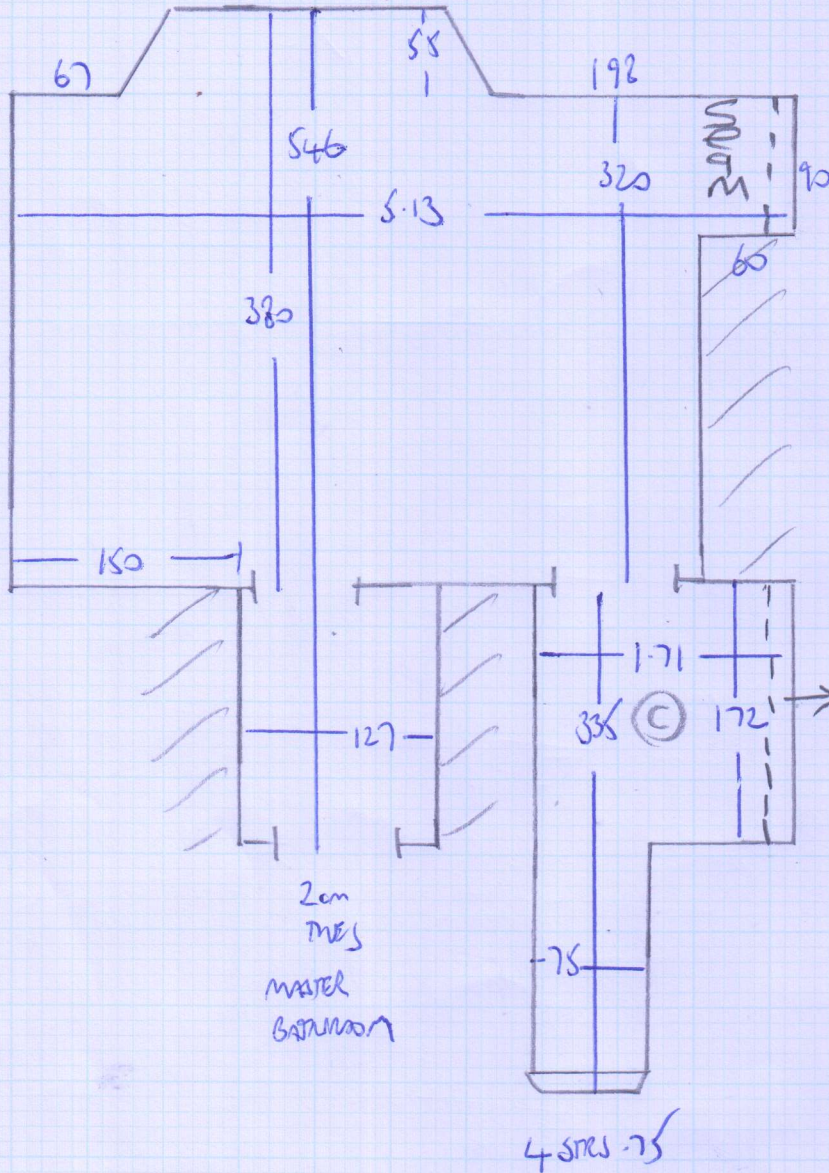
BASEMENT

PROBABLY
UNDERFLOOR HEATING

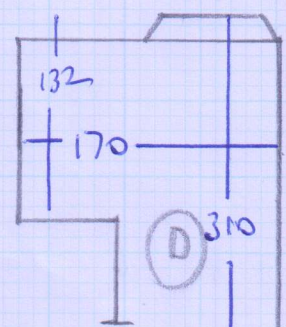


FIRST Floor

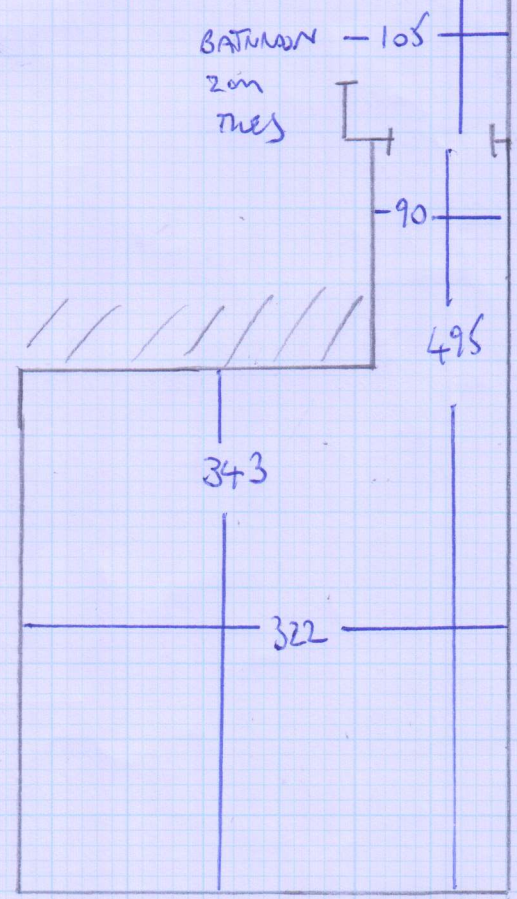
Job No: F25151
 Name: JO CONVEN ARCHITECTS
 Address: 13 PEWEN STREET
 SWB SAE
 Tel:
 Sheet: 4 OF 5



Seam G/F
 12 STRS 75

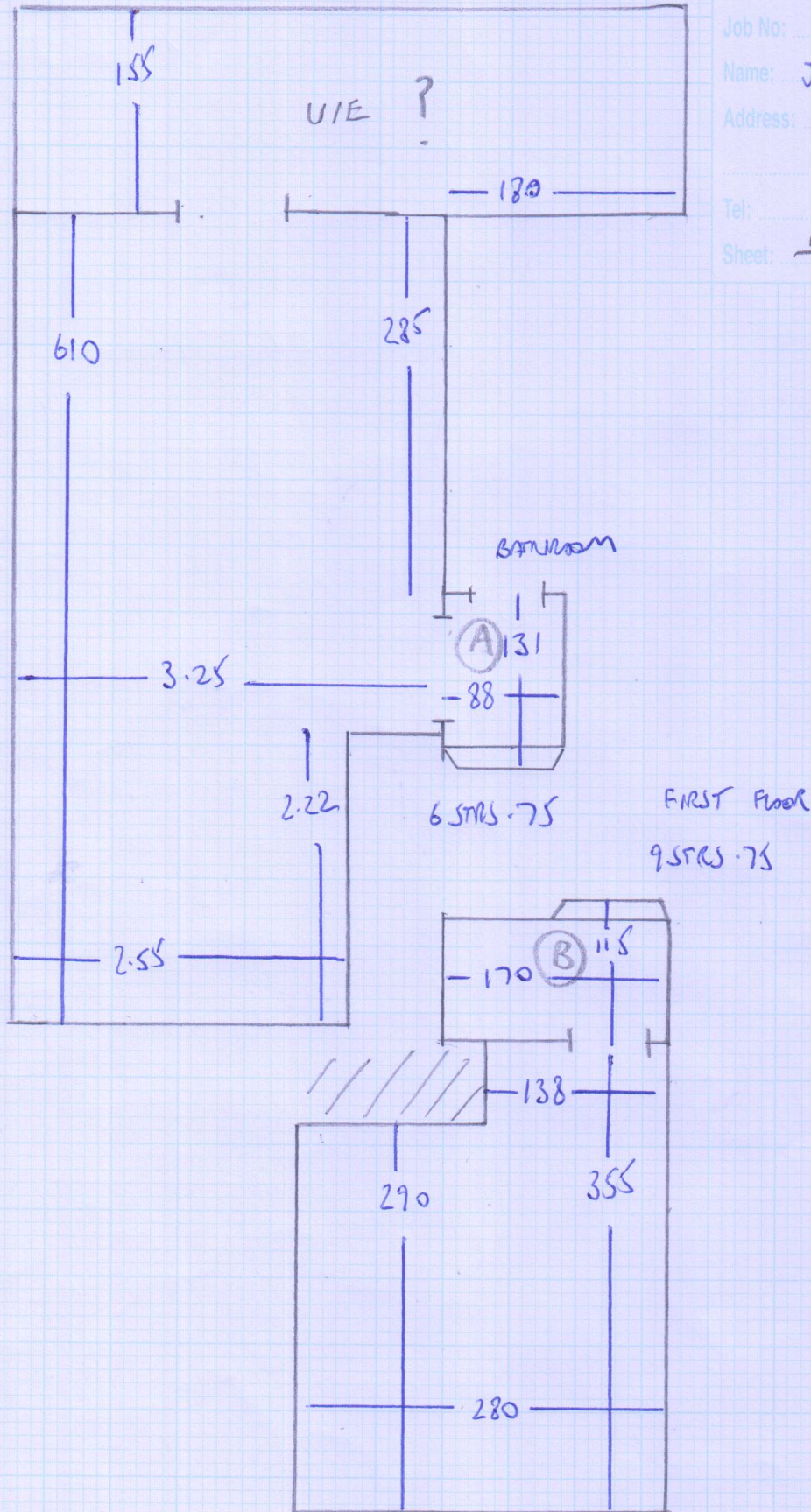


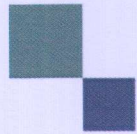
BATHROOM
 2cm
 THES



TOP FLOOR

Job No: F2S1S1
Name: JO COWEN ARCHITECTS
Address: 13 FEWEN ST
SW6 SAE
Tel:
Sheet: 5 of 5





mrcarpet
DESIGNS FOR FLOORS

301 Munster Road
Fulham
SW6 6BJ

Tel Nr: 020-7381-1989
Fax Nr: 020-7385-4006

ROLL BREAKDOWN

Job No: F25151
Customer Name: Jo Cowen Architects Ltd
Carpet: Shiruku
Colour: SHI-02

25.00m x 5.00m ordered from ITC

Cut Plan 1	8.50m x 5.00m
Cut Plan 2	11.90m x 5.00m
Basement Room	3.85m x 5.00m

=====
Total **24.25m x 5.00m**
=====

Thanks

Joe