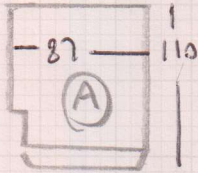


ALL RUNNER SIZES AS EXISTING

Job No: F25291
Name: WHITE - COOPER
Address: 23 MURFREY WALK
SW3 6RZ
Tel:
Sheet: 2 OF 5

TOP FLOOR

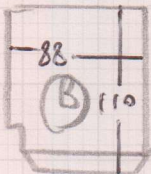
- 3 STRS 80 x 46 ✓
- 1 W 94 x 65
- 2 W 118 x 75 ✓
- 3 W 81 x 70 ✓



8 STRS 80 x 46 ✓

FIRST FLOOR

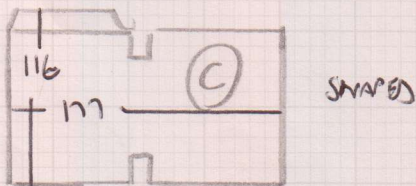
- RISER 78 x 25 ✓
- 3 STRS 78.5 x 46 ✓
- 4 W 95 x 68
- 5 W 115 x 78 ✓
- 6 W 78.5 x 75 ✓



9 STRS 77.5 x 46

BASEMENT

- RISER 74.5 x 20
- 2 STRS 74.5 x 48



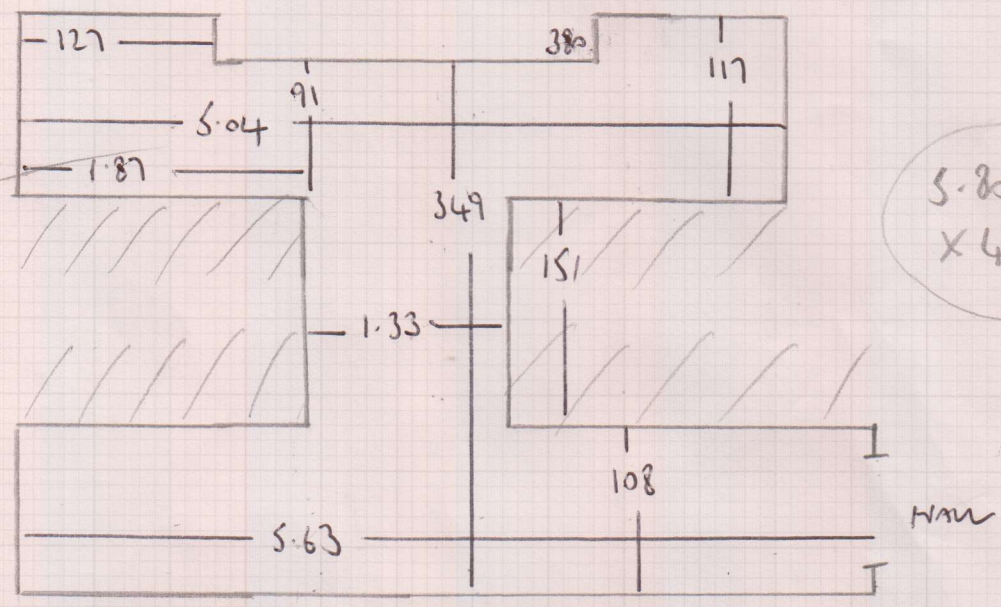
11 STRS 77.5 x 46

BASEMENT

Wilton Panache
 Willow P3125
 5-80 x 4MTR

Job No: F25291
 Name: WHITE-COOPER
 Address: 23 MULBERRY WALK
 SW3 6DZ
 Tel:
 Sheet: 3 OF 5

FIRST FLOOR
 DRESSING ROOM



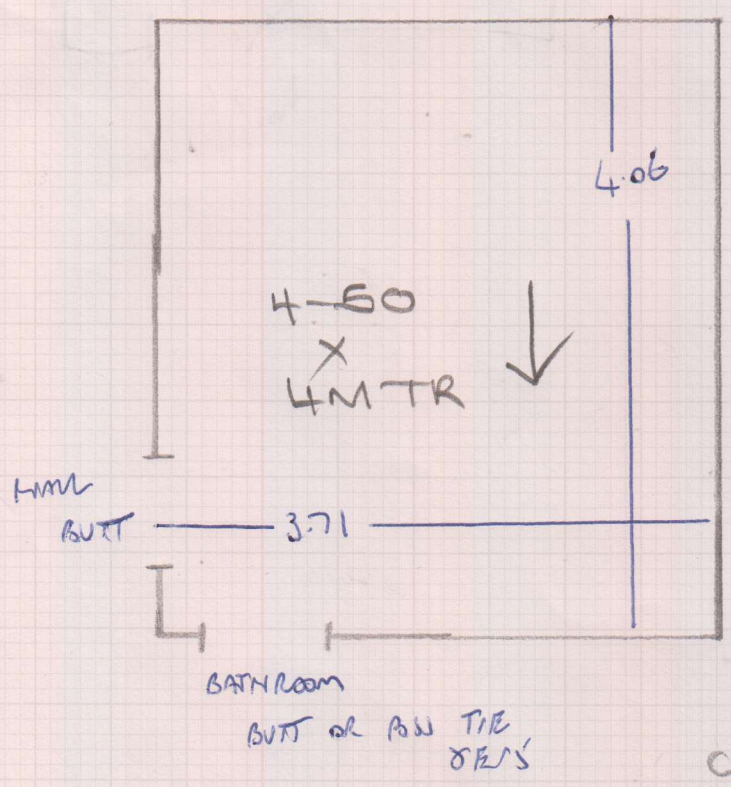
5.80m
 x 4.28m

Wool Fungus
 100% WOOL
 0.250
 (15)

RUG 4.28M LONG x 3.80M WIDE

Job No: F25291
Name: CATHERINE WHITE-COOPER
Address: 23 MULBERRY WALK
SW3 6DZ
Tel:
Sheet: 4 OF 5

BASEMENT BEDROOM



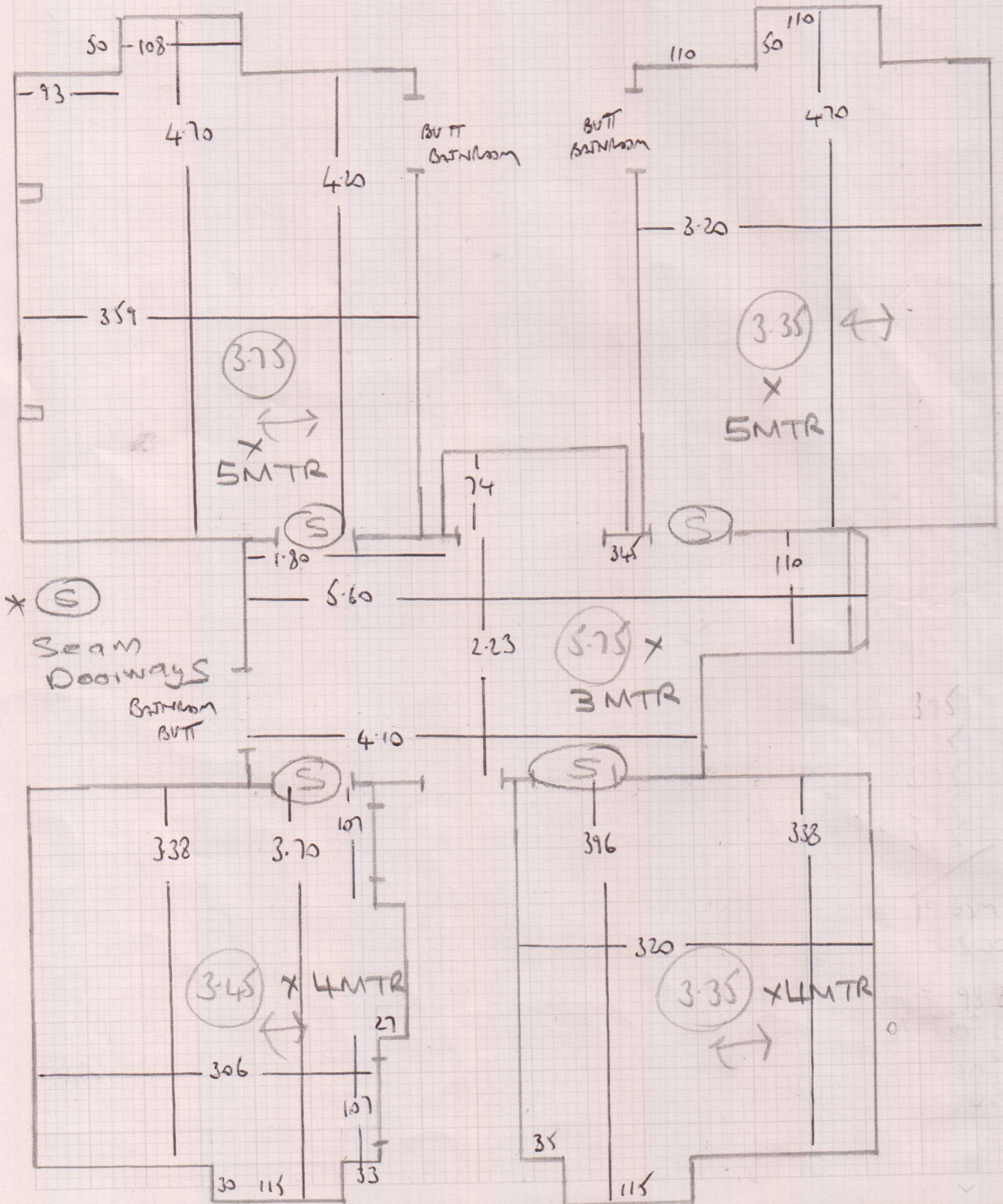
WEST VILLAGE BARRON FURN & TRIP
7-10 X 4MTR
(CUT DOWN 4-50 X 4MTR)

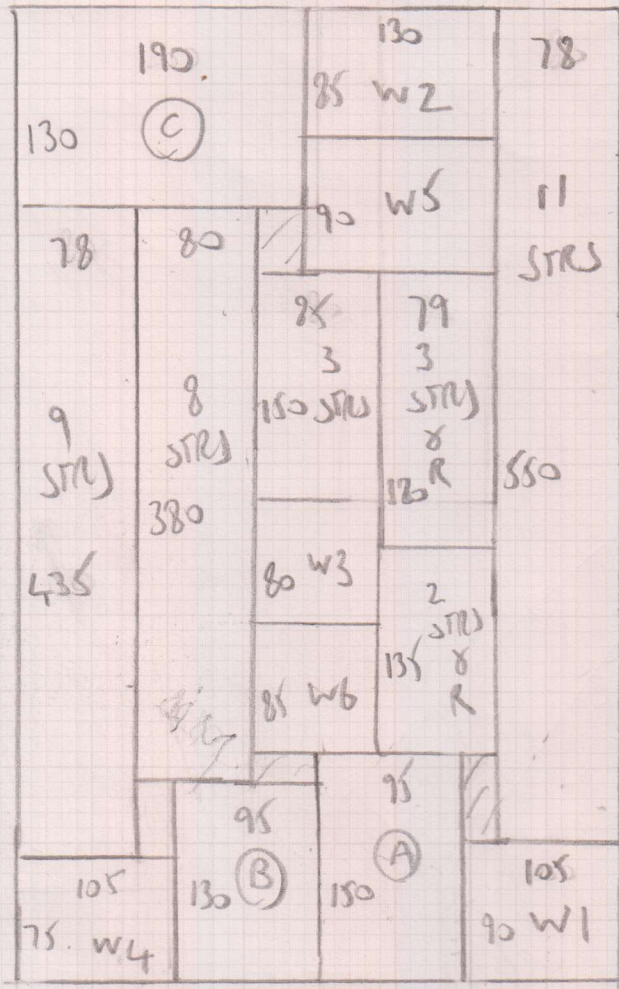
CONC FLOOR
U/F HEATING

ELEMENTS DESIGN AC/NO
 ELDES-11 103023
 JUNE 64/1431 (Wendy)
 698943

mrcarpet
 Job No: F25291
 Name: WHITE-COOPER
 Address: 23 MULBERRY WALK
 SW3 6DZ
 Tel:
 Sheet: 5 OF 5

TOP FLOOR





Job No: F25291
 Name: WHITE - COOPER
 Address: 23 MUSEUM WALK
 SW3 6DZ
 Tel:
 Sheet: 1 OF 2

GRAND HERRINGBONE
 GH102
 WITH HB8307
 TAPE (C48
 (PRALINE))

$6.40 \times 4.00 = 25.6m^2$

60m² BINDING
 (HB8307)

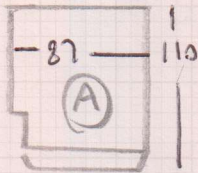
RUGS $4.40 \times 4.00 = 17.6m^2$

17m BINDING

ALL RUNNER SIZES AS EXISTING

TOP FLOOR

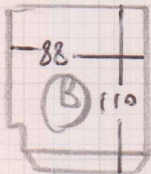
- 3 STRS 80 x 46 ✓
- 1 W 94 x 65
- 2 W 118 x 75 ✓
- 3 W 81 x 70 ✓



8 STRS 80 x 46 ✓

FIRST FLOOR

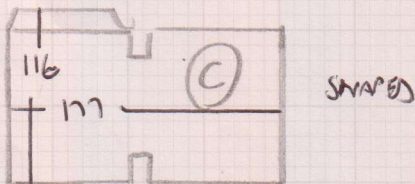
- RIVER 78 x 25 ✓
- 3 STRS 78.5 x 46 ✓
- 4 W 95 x 68
- 5 W 115 x 78 ✓
- 6 W 78.5 x 75 ✓



9 STRS 77.5 x 46

BASEMENT

- RIVER 74.5 x 20
- 2 STRS 74.5 x 48



11 STRS 77.5 x 46

BASEMENT

Job No: F25291

Name: WHITE - COOPER

Address: 23 MURFREY WALK
SW3 6RZ

Tel:

Sheet: 2 OF 2

Whipping & Binding Workshop Instructions



To: **Kasias Carpets Ltd** 07825 156676
 Branch: Fulham - Tel: 020 73811989 E:fulhambranch@mr-carpet.co.uk
 Branch Contact: John McArthur

Customer Name: Kathryn White-Cooper **Please quote on invoice**

Job No: F25291 **Please quote on invoice**

Description of Carpet: Grand Sisal Herringbone GH102

Carpet Finish: Top Taping SIDES ONLY

Number of Pieces: Approx 13 (including shaped landing)

Sizes to be cut to: (If applicable) As templated by fitter Roy Smith

Runner Lengths for Taping: **Please check before sewing**

Date for collection: 20 April 2017 Required back by: 02 May 2017

Collection From: Warehouse Return To: Warehouse

If Tape Selected	Supplied By	Kaisha	
Colour of tape: HB-8307 (C/T C48 Praline)	Size of Tape:	120mm	Amount Visible on Top: 55mm
If Whipping:			
Colour of Whipping:			

Special Instructions

Sewing charges authorised - **Please note only charges authorised in writing will be paid on invoice**

Materials	Description	Quantity	Unit Cost	Total
Whipping	Under 3m x 3m		£2.30	
	Over 3m x 3m		£2.50	
Standard Taping	Labour Only Under 3m x 3m	60.00	£6.00	£360.00
Double Taping	Labour Only Under 3m x 3m		£8.50	
Faux Suede & Leather	Labour Only Under 3m x 3m		£7.00	
Mitres Cotton	Per Corner	NOT APPLICABLE		
Mitres Leather	Per Corner	NOT APPLICABLE		
Blind Stitching MACHINE	38mm Tape Labour & Tape		£8.00	
Blind Stitching HAND SEWN	38mm Tape Labour & Tape		£10.50	
Hidden Stitching	Additional cost per lin M to above prices	NOT APPLICABLE		
	(Enter the same quantity as tape quantity)			

Materials & other charges

Quantity	Description	Quantity	Unit Cost	Total
	Padding		£1.00	
	Chenille Tape 120mm		£4.00	
	Chrome Tape 120mm		£3.50	
	Cotton Tape 70mm		£3.00	
	Cotton Tape CK 120mm		£3.50	
	Cotton Herringbone HB 120mm	60.00	£4.00	£240.00
	Faux Leather 120mm		£5.50	
	Faux Suede 120mm		£5.50	
	Goblin GLV 120mm		£4.00	
	Jute 120mm		£3.00	
	Leather 120mm		£12.50	
	Pipeline		£3.00	
	Starline (Linen) LS 120mm		£5.50	
	Superstrong 120mm		£5.50	
	Slim 120mm		£3.00	
	Teakline 120mm		£5.50	

Sub Total	£600.00
VAT @ 20%	£120.00
Total	£720.00