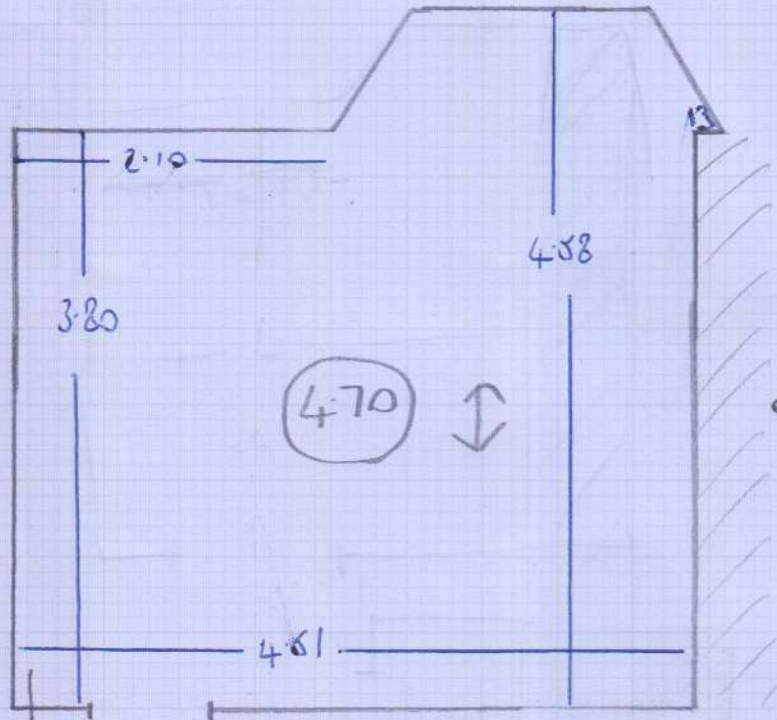


Job No: ~~F25579~~ F25615
 Name: WARDLE
 Address: 25 DEWHURST ROAD
 W14 0ES
 Tel: _____
 Sheet: _____ of _____

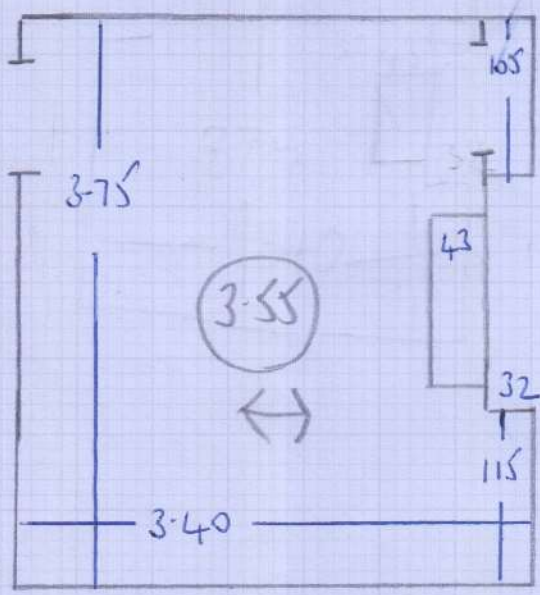
FIRST FLOOR



Hamilton Brookview

← 4.70 x 5m

11



↑ Mersey 156
 3.55 x 4MTR

[Faint handwritten notes and scribbles]