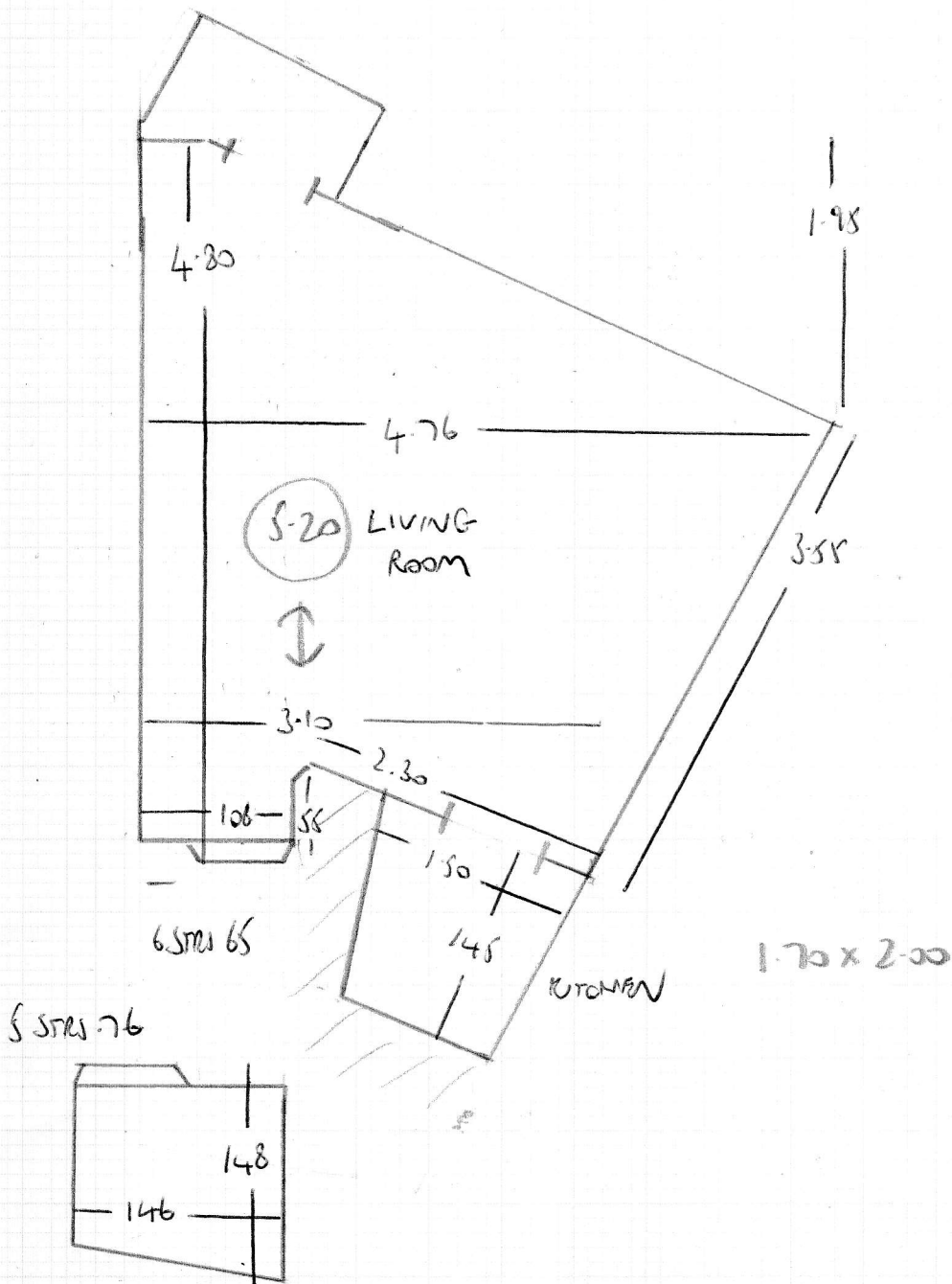


F256SS
WINTER 8 WIX
FLAT 1 105 MOORE PARK
ROAD SWB 2DA

1 3

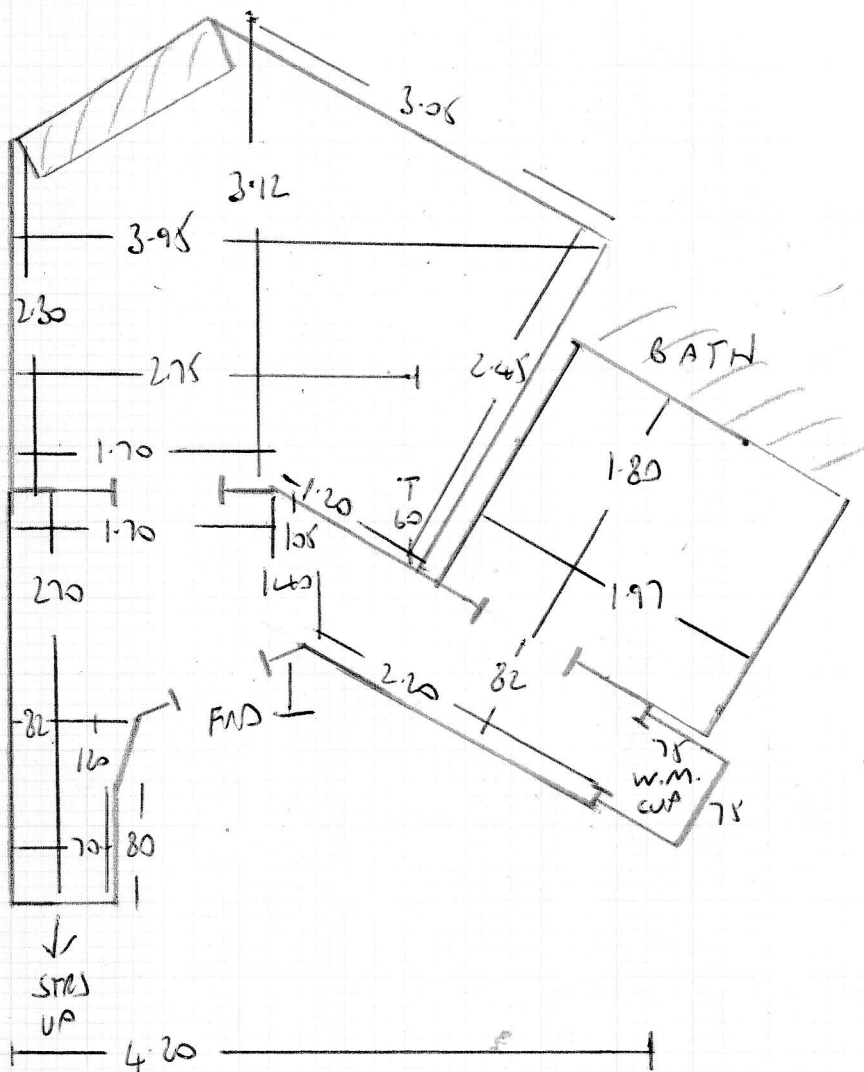
TOP FLOOR



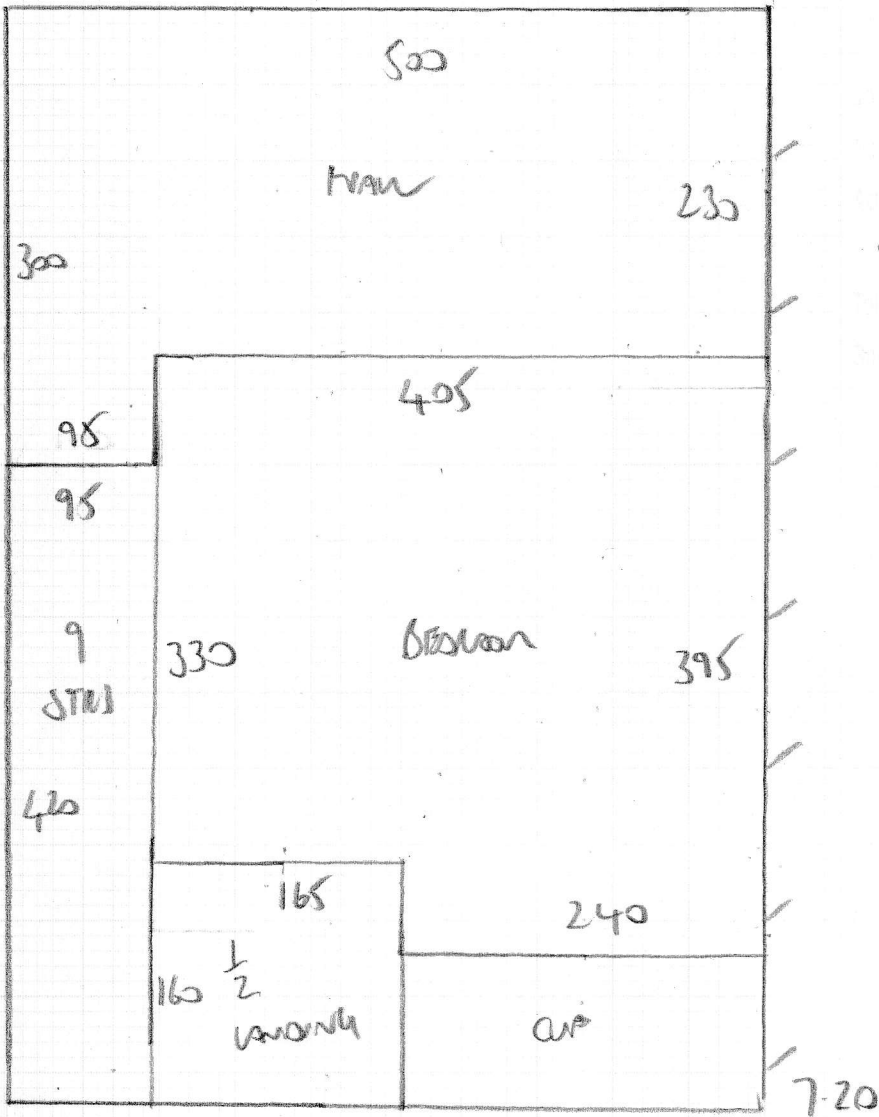
FZS655
 WINTER 8 WIX
 FWT 1, 105 MOORE AVE
 ROAD SW6 ZDA

2 3

LOWER FLOOR



XL SUPACUT
 MULLER
 BLACK & WHITE
 +18



F25655
 WINTER & WIX
 FWT 105 MOORE
 PARK RD SW6 ZDA

3 3

7-20
 5-20
 $12-40 \times 5-00 = 62m^2$
 45m² UN