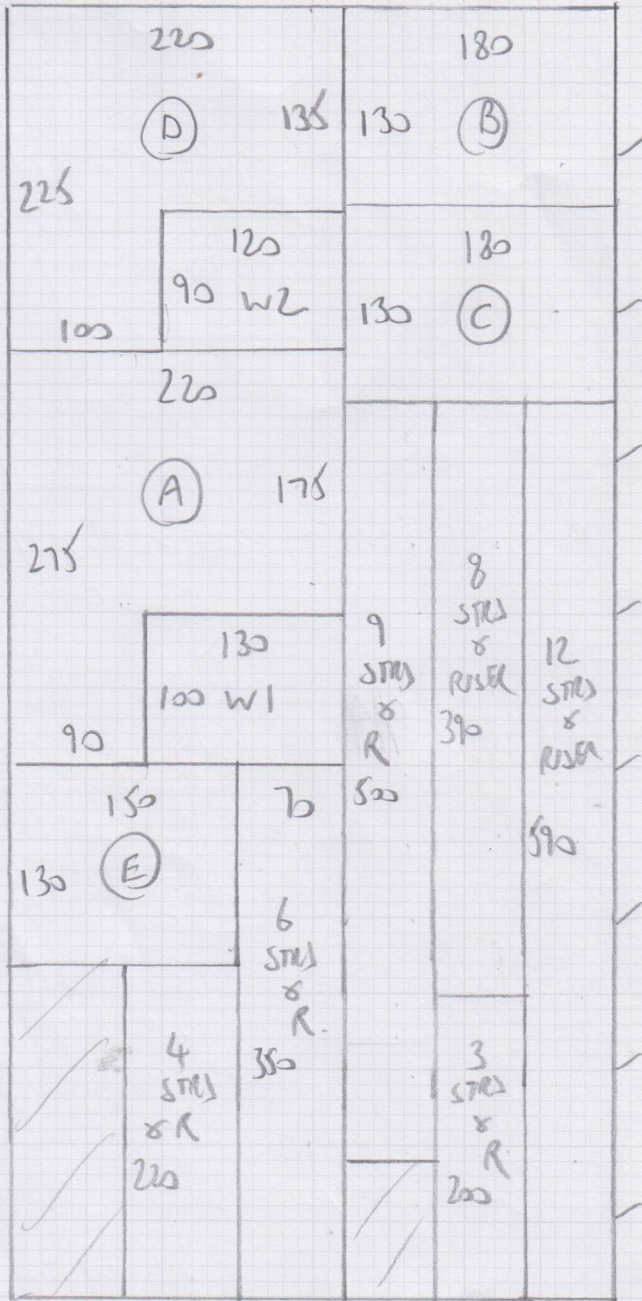


Job No: F25668  
 Name: Blown  
 Address: 293 LILIE ROAD  
 SW6 7LL  
 Tel:  
 Sheet: 1 of 2

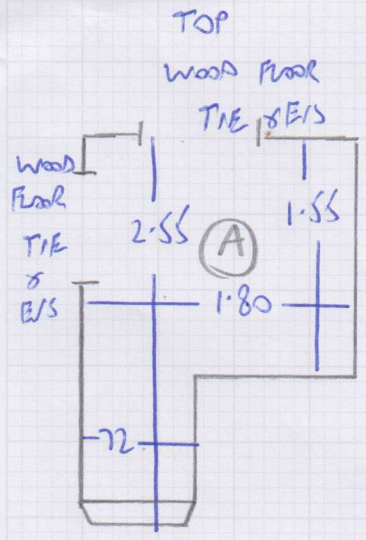


WEST VILLAGE  
 CLARKSON

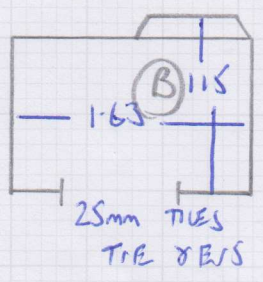
$8.50 \times 4.00 = 34M2$

48M TAPE

Job No: F25668  
 Name: BROWN  
 Address: 293 LILLIE ROAD  
 SW6 7LL  
 Tel:  
 Sheet: 2 of 2



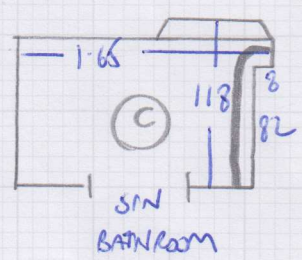
RISER 67x16  
 4 STRS 68



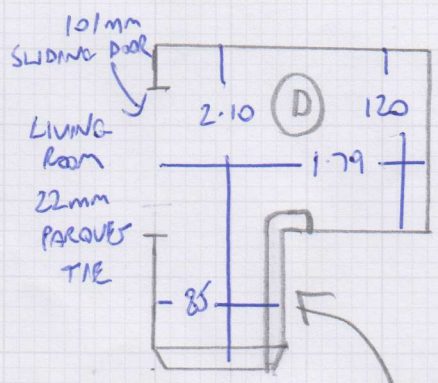
RISER 73x18  
 7 STRS 72  
 BIN AS STAIR 48

LANDING WITH WOODEN FLOOR

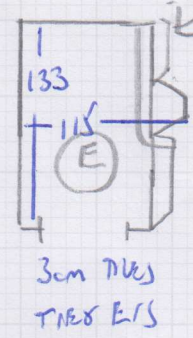
RISER 71x18  
 6 STRS 71



RISER 75x16  
 9 STRS 77



RISER 72x16  
 3 STRS 72  
 CUT INTERNAL TO RUNNER EFFECT



1 W 110x75  
 2 W 84x82  
 RISER } RUNNER  
 RISER 72x15  
 11 STRS 70  
 BIN AS STAIR 45  
 G/F  
 CLOSE COVER TOP OF WINDER

CUT INTERNAL TO RUNNER EFFECT

COMMONAL MAT  
 1.53x1.00

RUNNERS 55cm

\* FITTER NOTE  
 PLEASE CONFIRM WITH CUSTOMER WHICH LANDINGS REQ SHARPING

# Whipping & Binding Workshop Instructions



**To:** Kasias Carpets Ltd **07825 156676**  
**Branch:** Fulham - Tel: 020 73811989 E:fulhambranch@mr-carpet.co.uk  
**Branch Contact:** John McArthur

**Customer Name:** Mr. A Brown **Please quote on invoice**

**Job No:** F25668 **Please quote on invoice**

**Description of Carpet:** West Village - Clarkson

**Carpet Finish:** Top Taping SIDES ONLY

**Number of Pieces:** 11

**Sizes to be cut to:** (If applicable) Runners and landings to be templated on site - Straight stairs 55cm wide

**Runner Lengths for Taping:** Please check before sewing

**Date for collection:** 23 June 2017 **Required back by:** 27 June 2017

**Collection From:** Warehouse **Return To:** Warehouse

<b>If Tape Selected</b>	<b>Supplied By</b>	Kaisha	
<b>Colour of tape:</b> HB8328 (C10 Olive)	<b>Size of Tape:</b>	120mm	<b>Amount Visible on Top:</b> 55mm
<b>If Whipping:</b>			
<b>Colour of Whipping:</b>			

**Special Instructions - Runners must be back by 10AM on Tuesday 27th June as fitting same day.**

**Sewing charges authorised - Please note only charges authorised in writing will be paid on invoice**

Materials	Description	Quantity	Unit Cost	Total
Whipping	Under 3m x 3m		£2.30	
	Over 3m x 3m		£2.50	
Standard Taping	Labour Only Under 3m x 3m	50.00	£6.00	£300.00
Double Taping	Labour Only Under 3m x 3m		£8.50	
Faux Suede & Leather	Labour Only Under 3m x 3m		£7.00	
Mitres Cotton	Per Corner	NOT APPLICABLE		
Mitres Leather	Per Corner	NOT APPLICABLE		
Blind Stitching MACHINE	38mm Tape Labour & Tape		£8.00	
Blind Stitching HAND SEWN	38mm Tape Labour & Tape		£10.50	
Hidden Stitching	<b>Additional cost per lin M to above prices</b>	NOT APPLICABLE		
	<b>(Enter the same quantity as tape quantity)</b>			

**Materials & other charges**

Quantity	Description	Quantity	Unit Cost	Total
	Padding		£1.00	
	Penille Tape 120mm		£4.00	
	Chrome Tape 120mm		£3.50	
	Cotton Tape 70mm		£3.00	
	Cotton Tape CK 120mm		£3.50	
	Cotton Herringbone HB 120mm	50.00	£4.00	£200.00
	Faux Leather 120mm		£5.50	
	Faux Suede 120mm		£5.50	
	Goblin GLV 120mm		£4.00	
	Jute 120mm		£3.00	
	Leather 120mm		£12.50	
	Pipeline		£3.00	
	Starline (Linen) LS 120mm		£5.50	
	Superstrong 120mm		£5.50	
	Slim 120mm		£3.00	
	Teakline 120mm		£5.50	
			<b>Sub Total</b>	£500.00
			<b>VAT @ 20%</b>	£100.00
			<b>Total</b>	£600.00