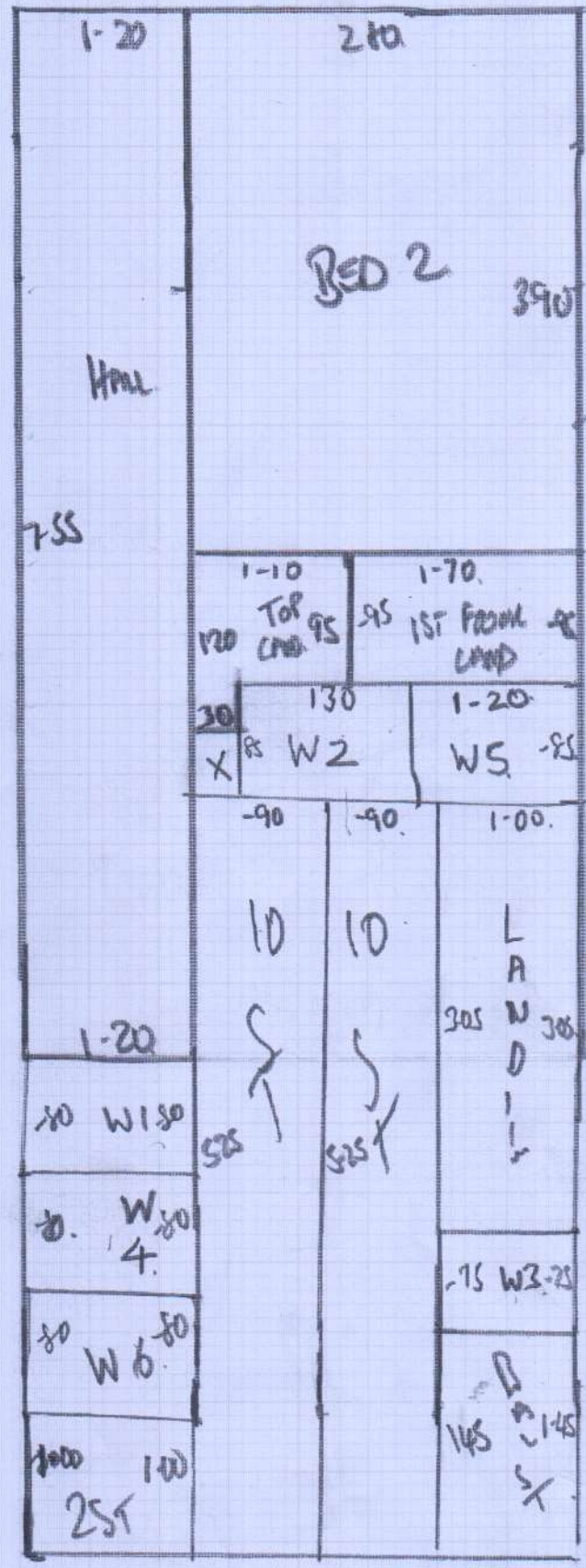


← 4.00 →



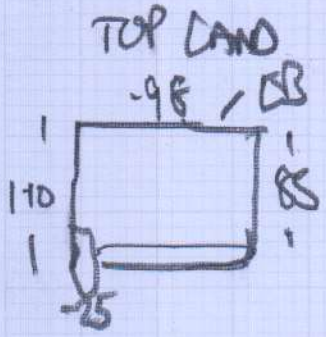
Job No: F 25718
 Name: NISHAF
 Address: 44 LINDA THORNE ST
 FULHAM SW 6 6SY
 Tel: 07795-212827
 Sheet: 1 of 2

Block Cut 10.95 x 4
 BED 1 2.90 x 4
 EXISTING UNDERWAY + GRADIENT
 12 Bathroom Ali
 12M SHIM

10.95

Job No: F25715
Name: NISHOF
Address: 44 LANGTHORNE ST
FULHAM SW6 6JY
Tel: 07195-212

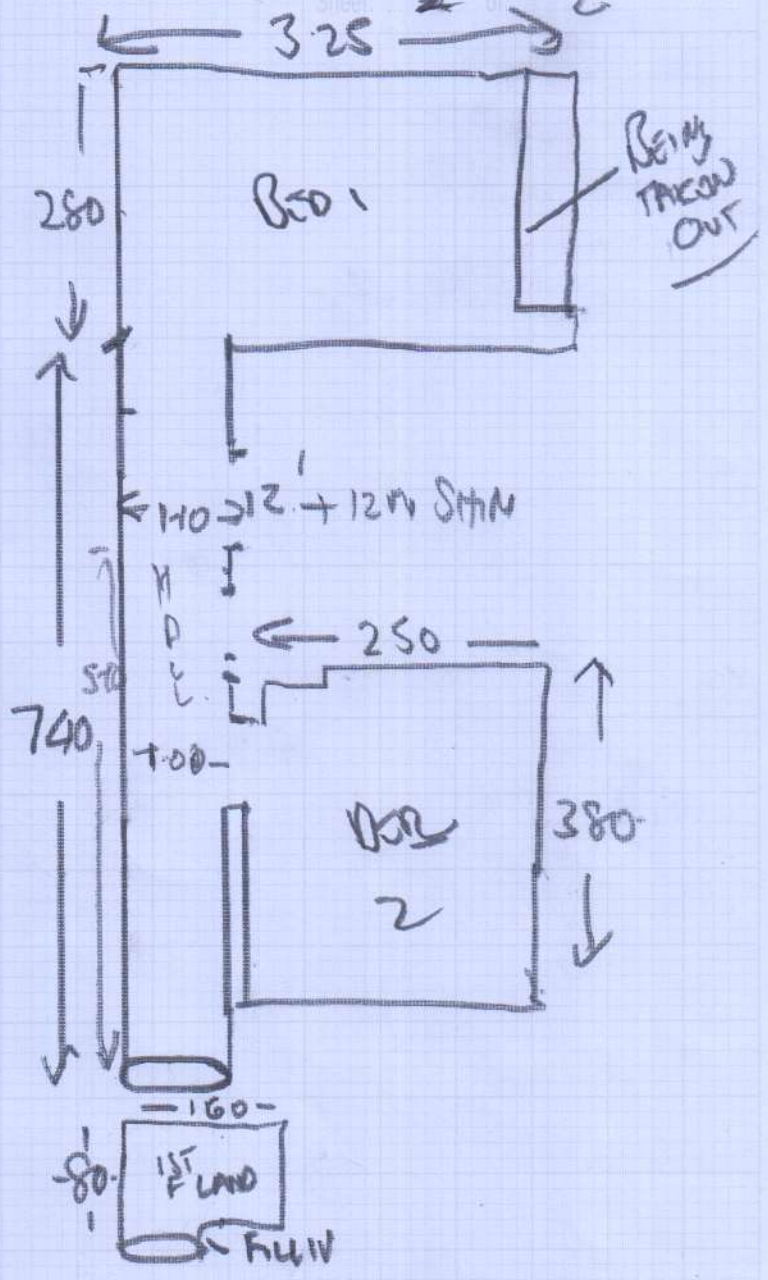
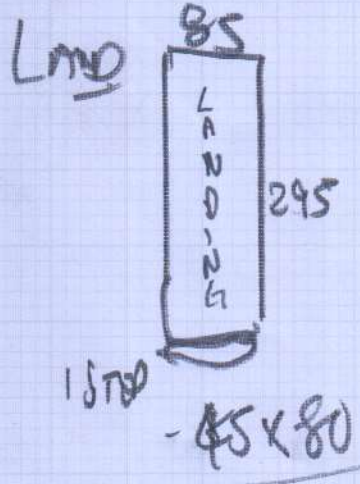
Sheet: 2 of 2



- W1 - 70 X 100
- W2 - 80 X 115
- W3 - 65 X 80

ST (8) - 45 X 80

- W4 - 70 X 90 ✓
- W5 - 70 X 110 ✓
- W6 - 70 X 80



ST (14) - 45 X 80