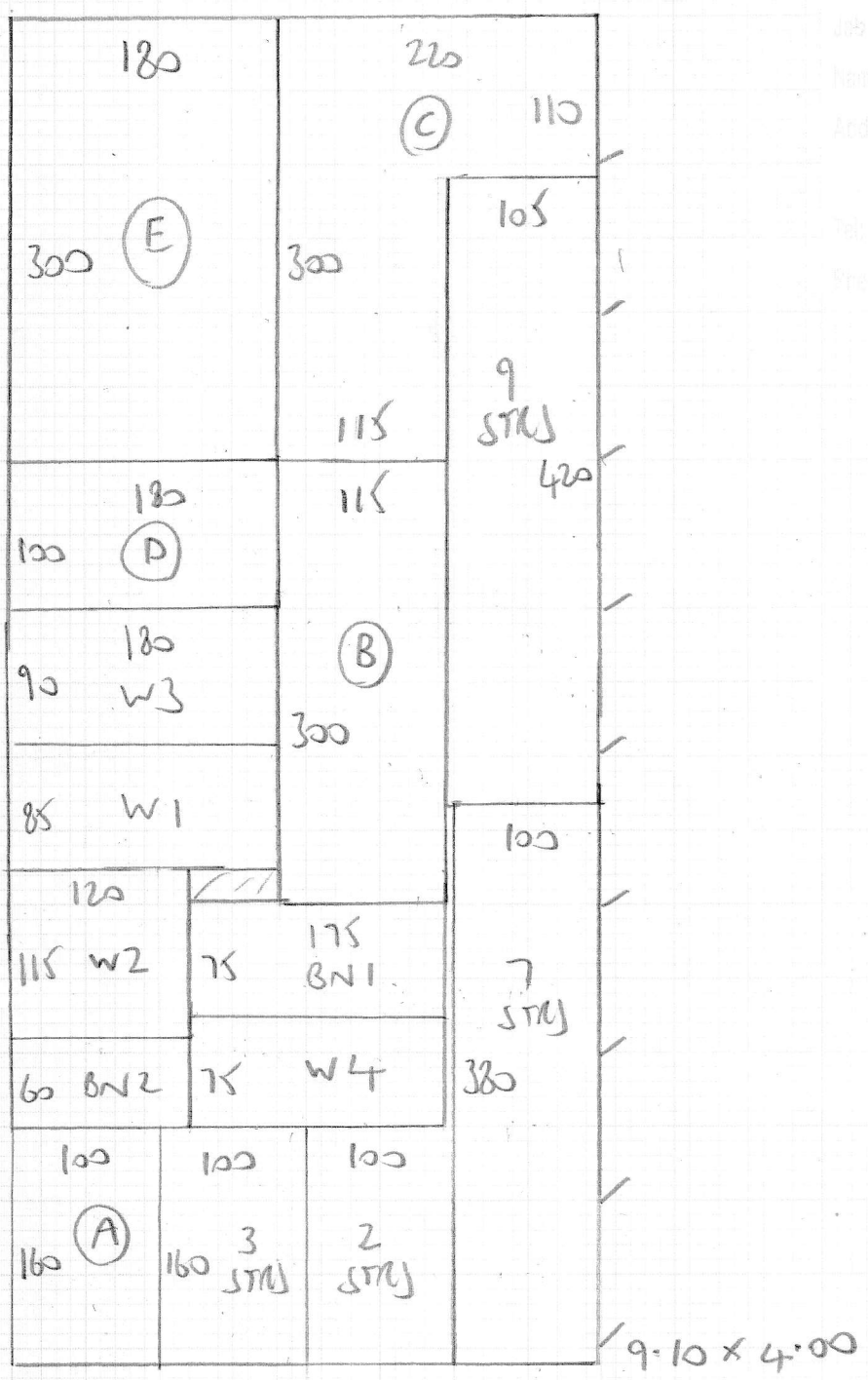


Job No: F25785
 Name: BOWEN-HOWARD
 Address: 34 GOWAN AVENUE
 SW6 6RF
 Page: 1 of 3



BEDS

- 3.00
- 4.35
- 2.25
- 3.10

$$12.70m \times 4.00m = 50.8m^2$$

$$4.30m \times 5.00m = 21.5m^2$$

$$\underline{\hspace{1cm}} \\ 72.3m^2$$

P25785

BOLTON - HOWARD

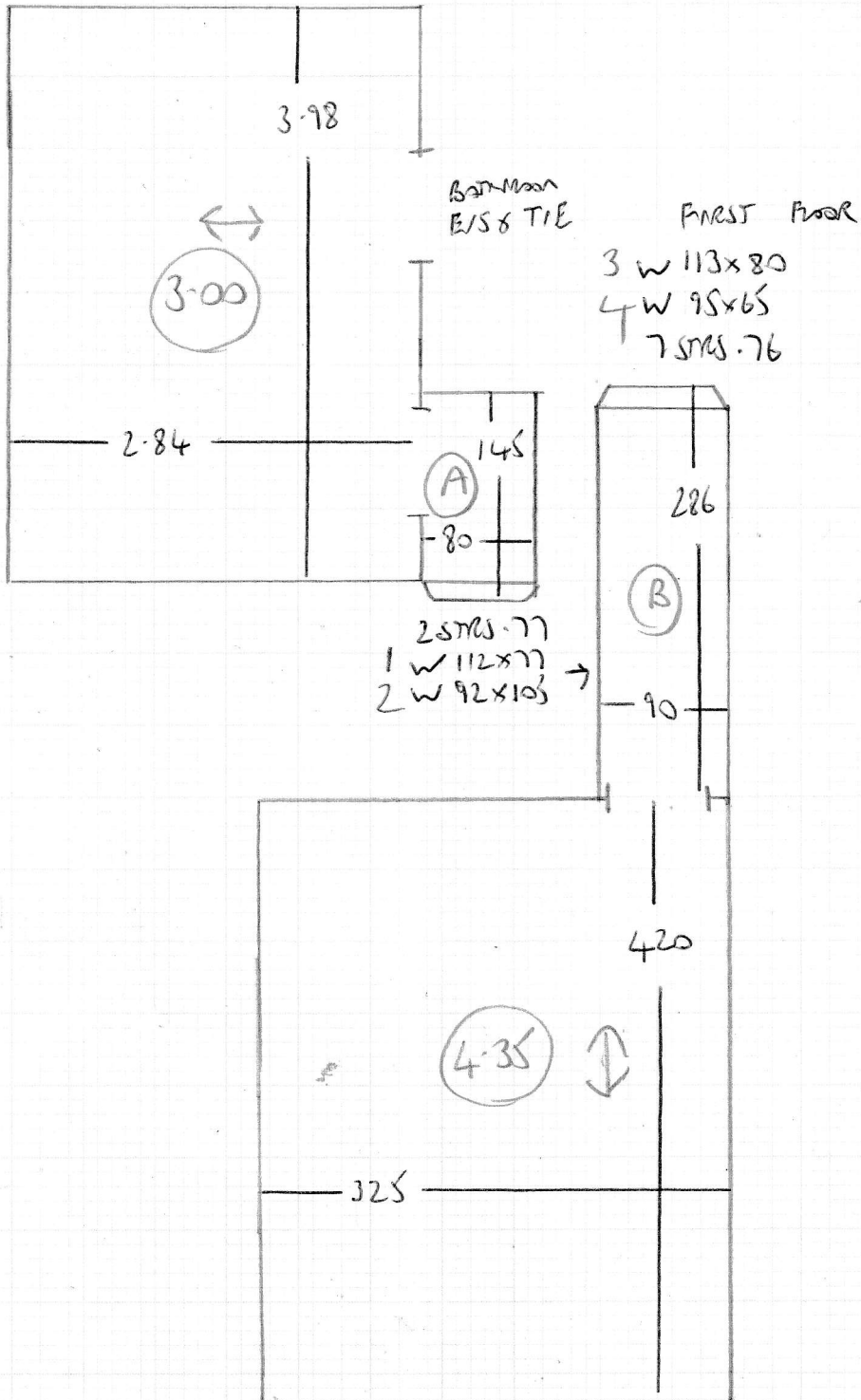
34 GANNON AVENUE

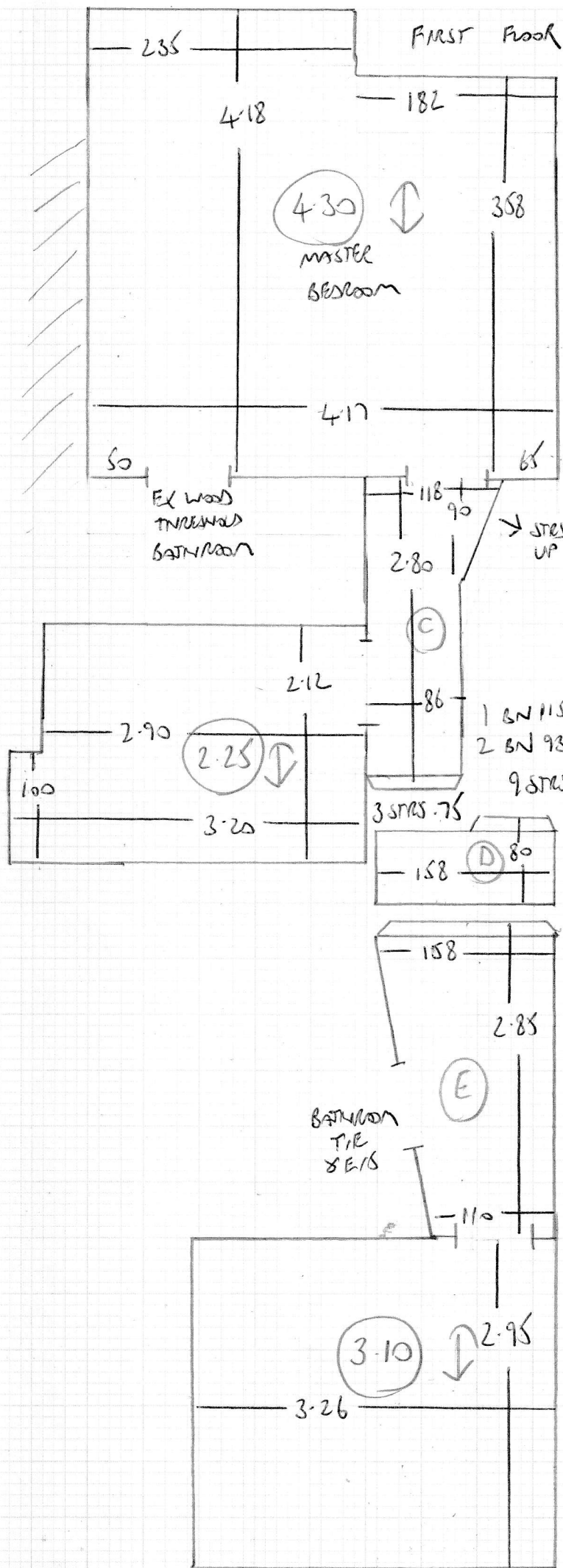
SW6 6RF

TOP FLOOR

2 3

U1E





mercari

Job No: F25785
 Name: BOLTON-HOWARD
 Address: 34 GOWAN AVENUE
 SW6 BRF

3 of 3.