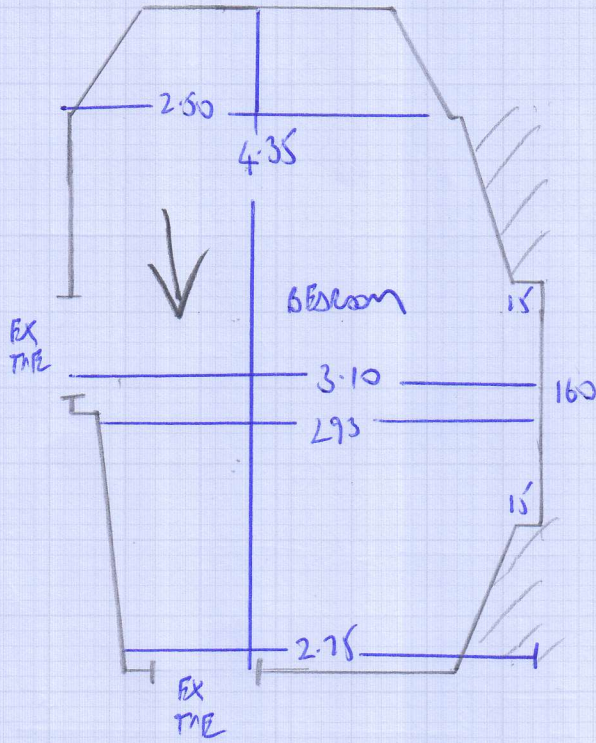
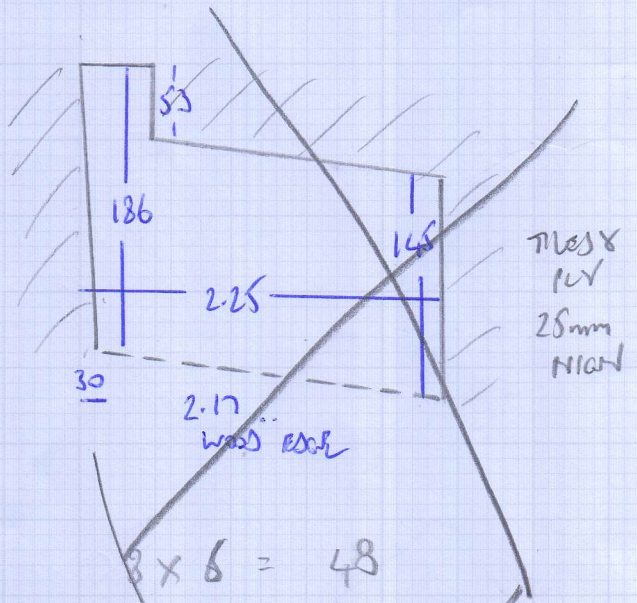
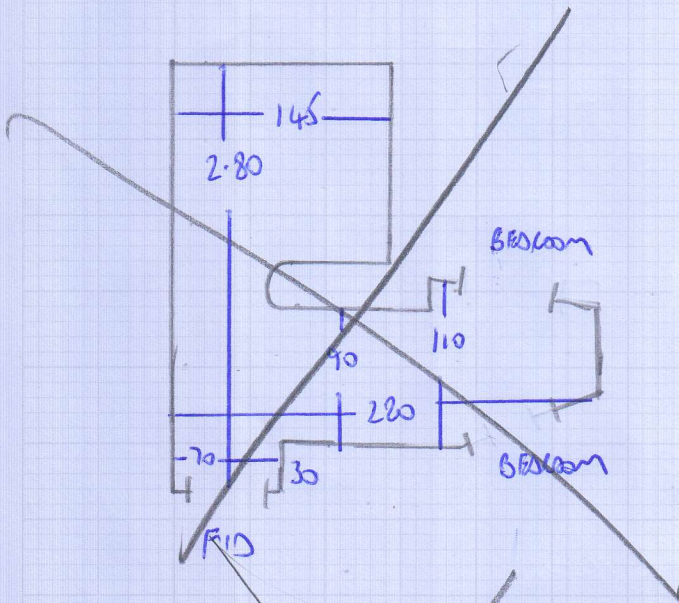


Job No: F25912
 Name: DUDI
 Address: TOP HWY 250 LINDSE ROAD
 SW6 7PX
 Tel:
 Sheet: 1 of 1



MEDLEY 112
 A-50X4



~~5 x 10 = 50~~

~~5 x 4 = 20~~

~~70~~

~~3.50 x 4.00M = 14.00²~~

~~122 Tiles
 11.00m²~~

~~5L Tiles~~

~~4 Bales
 MANDRA~~