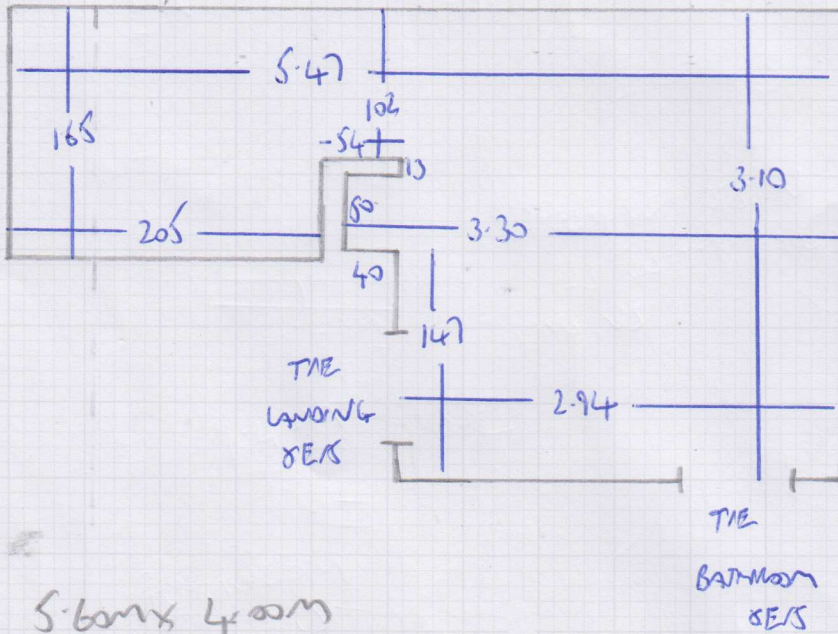


Job No: F25948  
 Name: COLLYER  
 Address: 39 COLEBROOKE ROW  
 NI 8AF  
 Tel:  
 Sheet: 1 OF 1

\* 5-60 x 4m TR  
 RUN CARPET THRU  
 IN ONE PIECE \*



5.60m x 4.00m  
 = 22.4m<sup>2</sup>

COTSWOLD BROCKHAMPTON

3.60m x 5.00m

= 18m<sup>2</sup>

4.4m<sup>2</sup> x 2.35 = 10.34