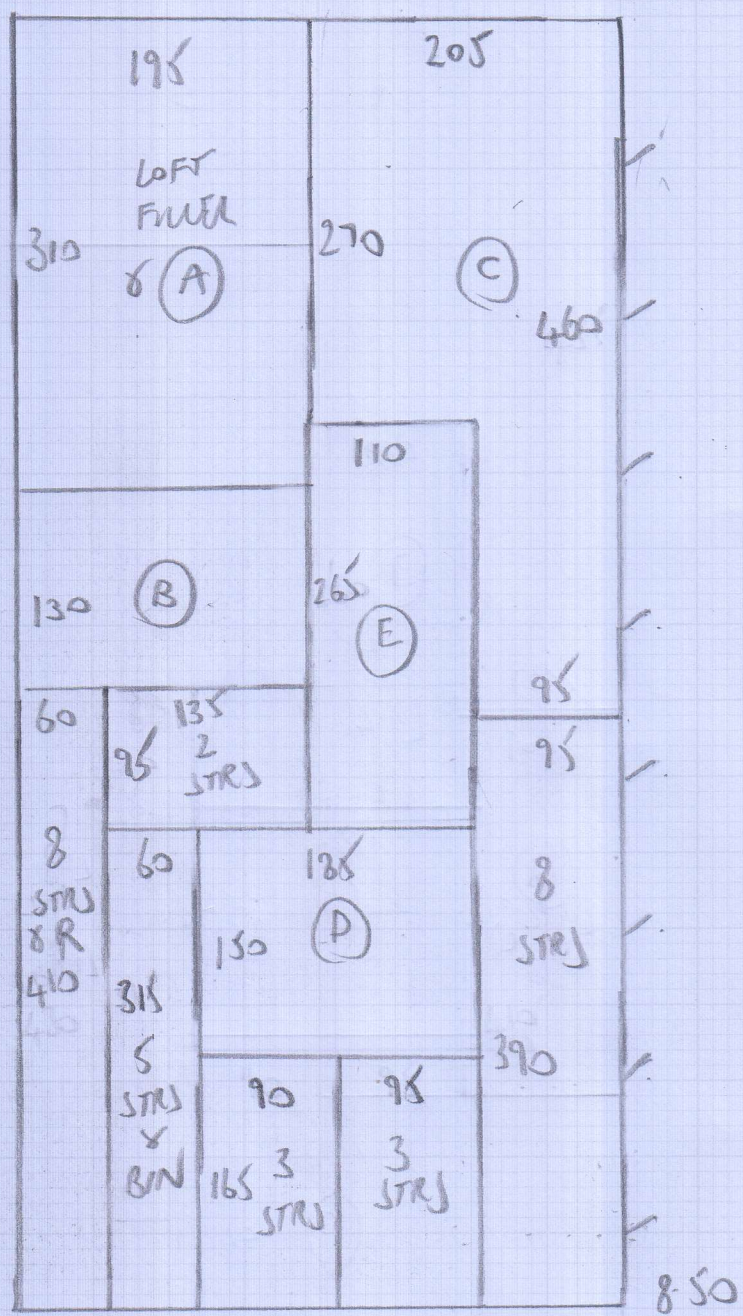


Job No: F25955
 Name: ROBBINS
 Address: 64 DORVILLE STREET
 SW6 6EP
 Tel:
 Sheet: 1 of 3

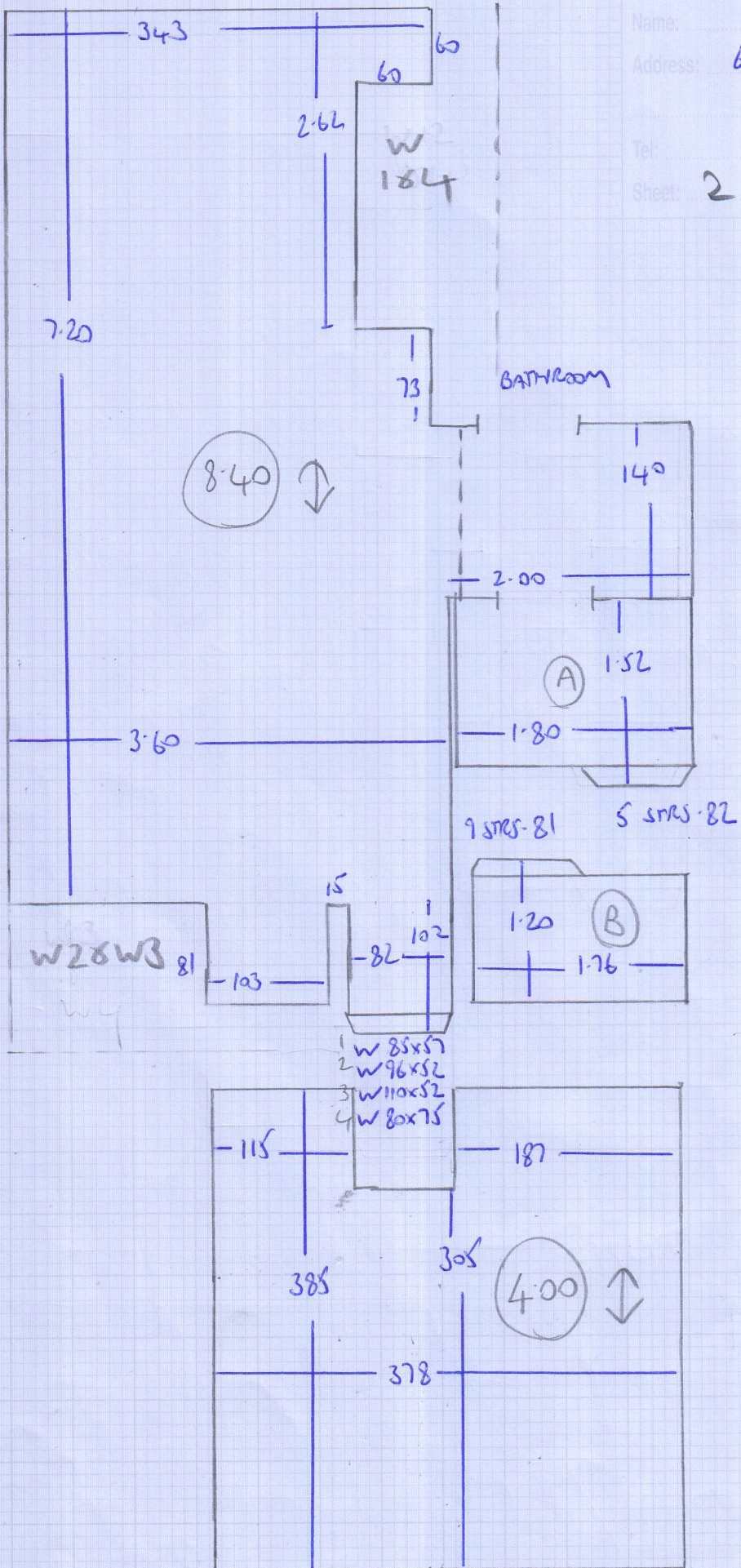


- 8-50M - CIP
 - 8-40M - FRONT LOFT ROOM
 - 4-00M - REAR LOFT ROOM
 - 4-85M - FIF FRONT
 - 4-05M - FIF MIDDLE
 - 4-85M - FIF REAR - 5-00M car
- } 29.80M

TOP FLOOR

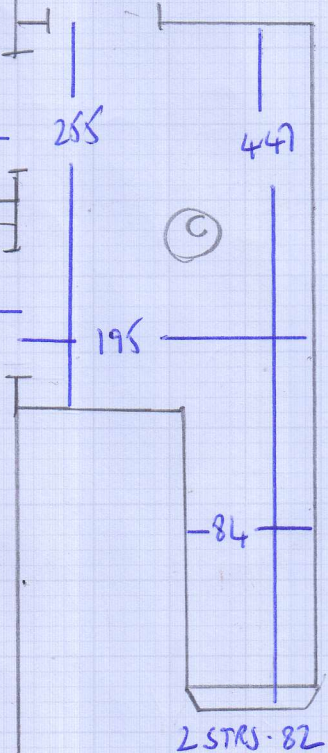
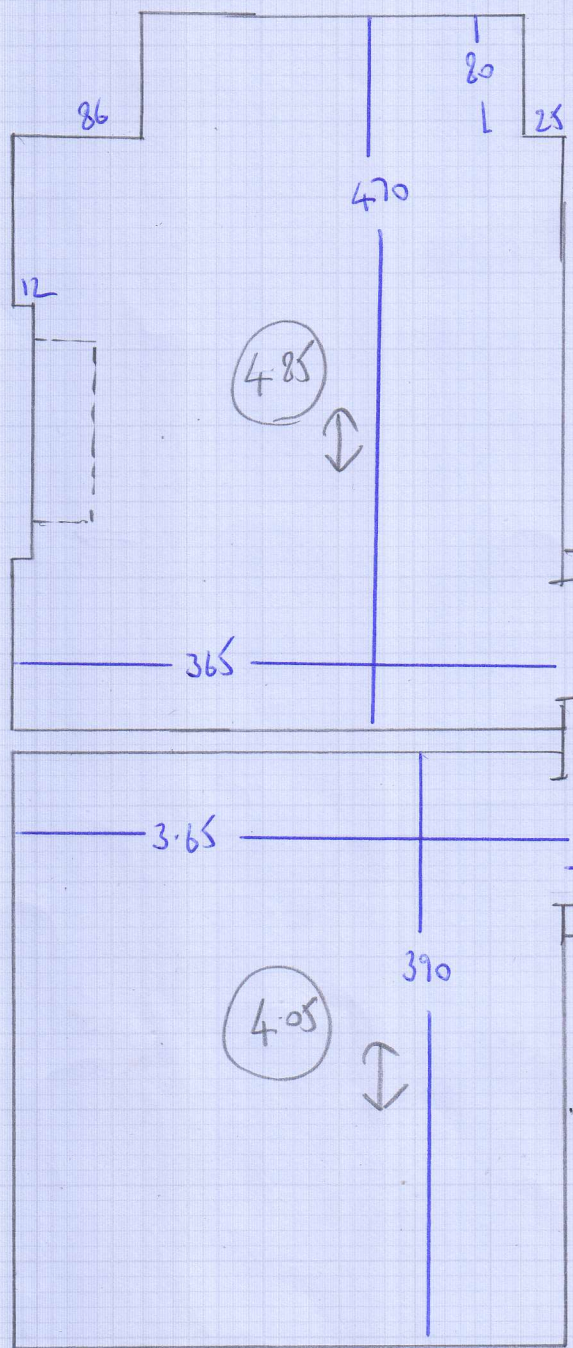
mrcarpets

Job No: F25955
 Name: ROBBINS
 Address: 64 DORVILLE STREET
 SW6 6EP
 Tel:
 Sheet: 2 of 3

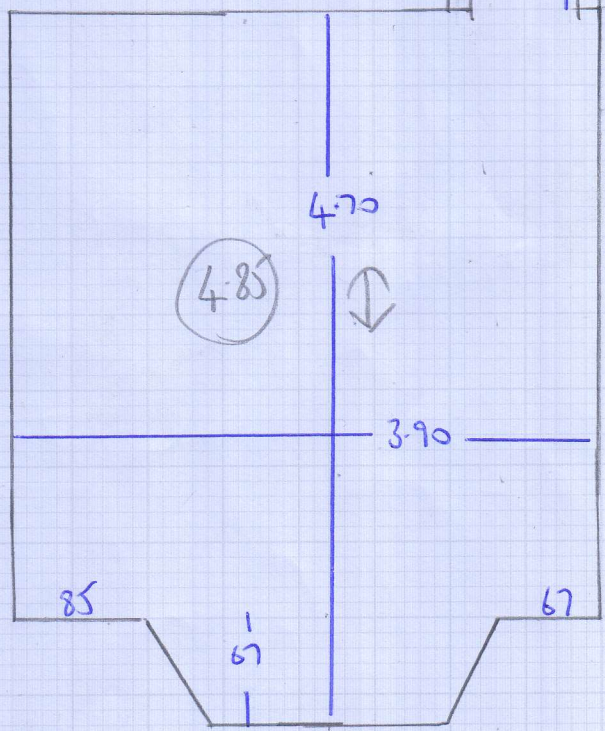
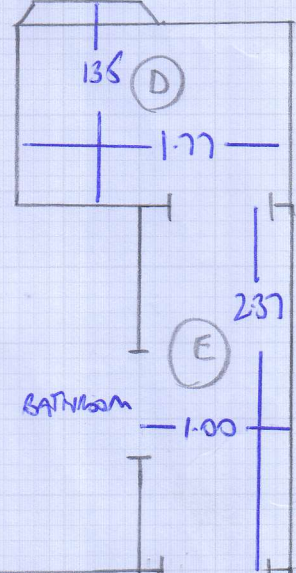


FIRST FLOOR

mrcarpets
 Job No: F25955
 Name: ROBBINS
 Address: 64 DOVERALE STREET
 SW6 6EP
 Tel:
 Sheet: 3 of 3



G/F
 BN 102x60
 13 STRS - 82



Whipping & Binding Workshop Instructions



To: Kasias Karpets Ltd **07825 156676**
Branch: Fulham - Tel: 020 7381 1989 E:fulhambranch@mr-carpet.co.uk
Branch Contact: Graham

Customer Name: Robbins **Please quote on invoice**

Job No: F25955 **Please quote on invoice**

Description of Carpet: Symphony New york

Carpet Finish: Top Taping SIDES ONLY

Number of Pieces: 1

Sizes to be cut to: (If applicable) 4.10 x 0.60 3.15 x 0.60

Runner Lengths for Taping: Please 7.50m
 check before sewing

Date for collection: 07 December 2017 **Required back by:** 11 December 2017

Collection From: Warehouse **Return To:** Warehouse

If Tape Selected	Supplied By	Other Specify	
Colour of tape: CW02 / 3042	Size of Tape: 120MM	Amount Visible on Top: 55MM	
If Whipping:			
Colour of Whipping:			

Tape supplied direct to Kassia from ELEMENTS OF LONDON STEVE TO USE MATCHING TAPE 15M 3052 AND TAKE 13M BACK INTO STOCK

Sewing charges authorised - Please note only charges authorised in writing will be paid on invoice

Materials	Description	Quantity	Unit Cost	Total
Whipping	Under 3m x 3m		£2.30	
	Over 3m x 3m		£2.50	
Standard Taping	Labour Only Under 3m x 3m	15.00	£6.00	£90.00
Double Taping	Labour Only Under 3m x 3m		£8.50	
Faux Suede & Leather	Labour Only Under 3m x 3m		£7.00	
Mitres Cotton	Per Corner		NOT APPLICABLE	
Mitres Leather	Per Corner		NOT APPLICABLE	
Blind Stitching MACHINE	38mm Tape Labour & Tape		£8.00	
Blind Stitching HAND SEWN	38mm Tape Labour & Tape		£10.50	
Hidden Stitching	Additional cost per lin M to above prices		NOT APPLICABLE	
	(Enter the same quantity as tape quantity)			

Materials & other charges

Quantity	Description	Quantity	Unit Cost	Total
	Padding		£1.00	
	Chenille Tape 120mm		£4.00	
	Chrome Tape 120mm		£3.50	
	Cotton Tape 70mm		£3.00	
	Cotton Tape CK 120mm		£3.50	
	Cotton Herringbone HB 120mm	2.00	£4.00	£8.00
	Faux Leather 120mm		£5.50	
	Faux Suede 120mm		£5.50	
	Goblin GLV 120mm		£4.00	
	Jute 120mm		£3.00	
	Leather 120mm		£12.50	
	Pipeline		£3.00	
	Starline (Linen) LS 120mm		£5.50	
	Superstrong 120mm		£5.50	
	Slim 120mm		£3.00	
	Teakline 120mm		£5.50	

Sub Total £98.00
VAT @ 20% £19.60
Total £117.60