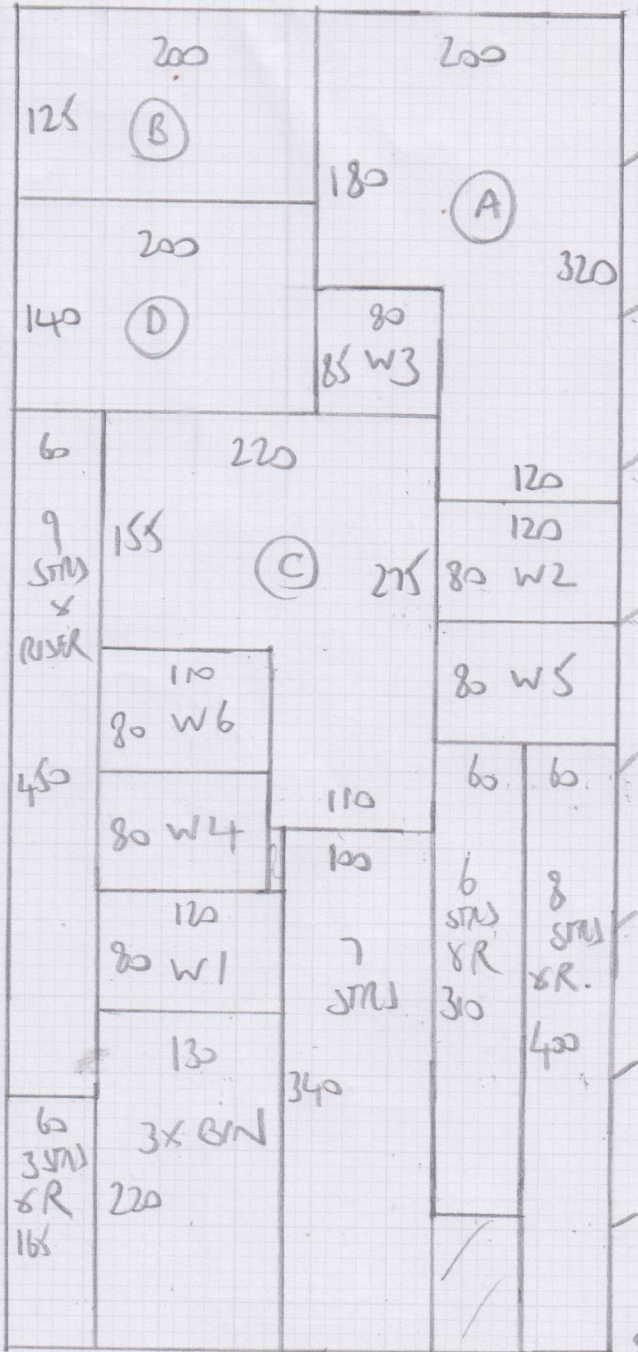


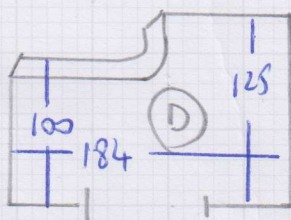
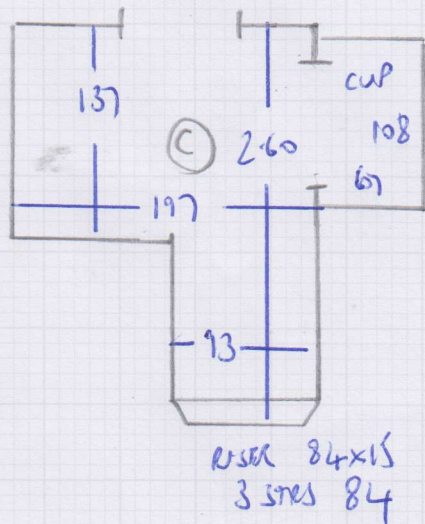
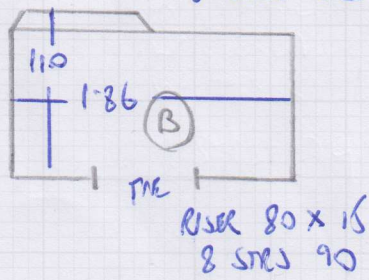
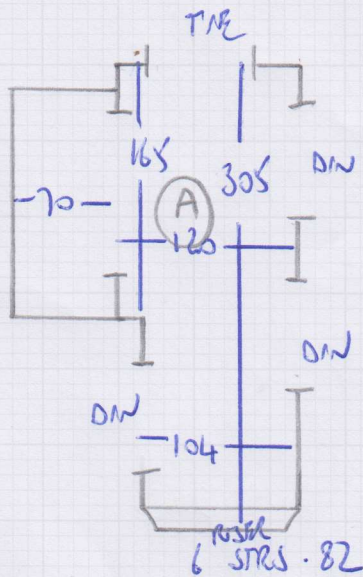
Job No: F25965  
 Name: TAYLOR  
 Address: 37 STEWART RD  
 W14 0HT  
 Tel:  
 Sheet: 1 of 2



$8.80m \times 4.00 = 35.2m^2$

HEATHER TWIST 50 SUPREME  
 (HEA-5023) Thunder

Job No: F25965  
 Name: TAYLOR  
 Address: 37 STEVENAGE ROAD  
 W14 0HT  
 Tel:  
 Sheet: 2 OF 2



RISER 86 x 12  
 9 STRS 86 - 60 RUNNER  
 BN 60 x 52 }  
 BN 70 x 60 } RUNNER  
 BN 92 x 75 } SIZES

BASEMENT FLIGHT  
 CLOSE COVERED

- 1 W 92 x 63
- 2 W 110 x 67
- 3 W 73 x 73
- 6 STRS 81
- 1 STR 76
- 4 W 92 x 65
- 5 W 107 x 68
- 6 W 78 x 70

BASEMENT

Customer:

**Taylor**

Fitting address:

**37 Sterndale Road  
LONDON, W14 0HT**

Home 'phone Nr: 020-7603-3997    Mobile/other 'phone Nr: 07790-564383    Office 'phone Nr: N/P

Contact: **Isabel**

Instructions:

**Tuesday 7th November - fit basement stairs, all landings (C/Covered) and shape/cut runners.**

Comments re Fitting:

**See Cutting Plan: & Layout Plan**

Product & Colour	Fitter's claim	Length/Quantity	Width
Heather Twist Supreme (50) - Hea-5023 Thunder		8.80	4.00
Fomalux Underlay - N/A		20.00	
Padfelt Underlay M2 - N/A		15.00	
Smoothedge Wood Pin 5' Length - N/A		5.00	
Ali D\Naplock NOW 3' (.90) - N/A		4.00	
Ali Zig Zag Std NOW 3' (.90) - N/A		3.00	
Fitting Carpet Standard Rate - N/A	70.40		
Runners Template on Site - N/A	50.00		
Parking (Hourly Rate) - N/A	12.00		
Uplift and Dispose - N/A	26.40		
Winder Bonus (Over 3 Winders) - N/A	21.00		
Stair Premium Standard Rate - N/A	70.00		
	<b>£249.80</b>		

# Whipping & Binding Workshop Instructions



**To:** Kasias Carpets Ltd **07825 156676**  
**Branch:** Fulham - Tel: 020 7381 1989 E:fulhambranch@mr-carpet.co.uk  
**Branch Contact:** John McArthur

**Customer Name:** Mrs Isabelle Taylor **Please quote on invoice**

**Job No:** F25965 **Please quote on invoice**

**Description of Carpet:** Heather Twist 50 HEA-5023

**Carpet Finish:** Top Taping SIDES ONLY

**Number of Pieces:** 7

**Sizes to be cut to:** (If applicable) 4.50m x 60cm / 4.00m x 60cm / 3.10m x 60cm / 1.65m x 60cm + 3 shaped bottom steps

**Runner Lengths for Taping:** Please check before sewing

**Date for collection:** 07 November 2017 **Required back by:** 09 November 2017

**Collection From:** Warehouse **Return To:** Warehouse

<b>If Tape Selected</b>	<b>Supplied By</b>	Kaisha	
<b>Colour of tape:</b> HB-8467 (C/T C39 Slate)	<b>Size of Tape:</b>	120mm	<b>Amount Visible on Top:</b> 55mm
<b>If Whipping:</b>			
<b>Colour of Whipping:</b>			

## Special Instructions

### Sewing charges authorised - Please note only charges authorised in writing will be paid on invoice

Materials	Description	Quantity	Unit Cost	Total
Whipping	Under 3m x 3m		£2.30	
	Over 3m x 3m		£2.50	
Standard Taping	Labour Only Under 3m x 3m	32.00	£6.00	£192.00
Double Taping	Labour Only Under 3m x 3m		£8.50	
Faux Suede & Leather	Labour Only Under 3m x 3m		£7.00	
Mitres Cotton	Per Corner	NOT APPLICABLE		
Mitres Leather	Per Corner	NOT APPLICABLE		
Blind Stitching MACHINE	38mm Tape Labour & Tape		£8.00	
Blind Stitching HAND SEWN	38mm Tape Labour & Tape		£10.50	
Hidden Stitching	<b>Additional cost per lin M to above prices</b>	NOT APPLICABLE		
	<b>(Enter the same quantity as tape quantity)</b>			

### Materials & other charges

Quantity	Description	Quantity	Unit Cost	Total
	Padding		£1.00	
	Chenille Tape 120mm		£4.00	
	Chrome Tape 120mm		£3.50	
	Cotton Tape 70mm		£3.00	
	Cotton Tape CK 120mm		£3.50	
	Cotton Herringbone HB 120mm	32.00	£4.00	£128.00
	Faux Leather 120mm		£5.50	
	Faux Suede 120mm		£5.50	
	Goblin GLV 120mm		£4.00	
	Jute 120mm		£3.00	
	Leather 120mm		£12.50	
	Pipeline		£3.00	
	Starline (Linen) LS 120mm		£5.50	
	Superstrong 120mm		£5.50	
	Slim 120mm		£3.00	
	Teakline 120mm		£5.50	

<b>Sub Total</b>	£320.00
<b>VAT @ 20%</b>	£64.00
<b>Total</b>	£384.00