

Job No: F26970
 Name: TEIXEIRA
 Address: 41 MUSAND RD
 W6 8NR
 Tel:
 Sheet: 1 OF 5

Ja

37.0m FIRST FLOOR
 7.10m PLAN
 4.10m PLAN
 3.60m PLAN

18.50 x 5.00

NEW FENTWIST 50
 SANDCASTLE

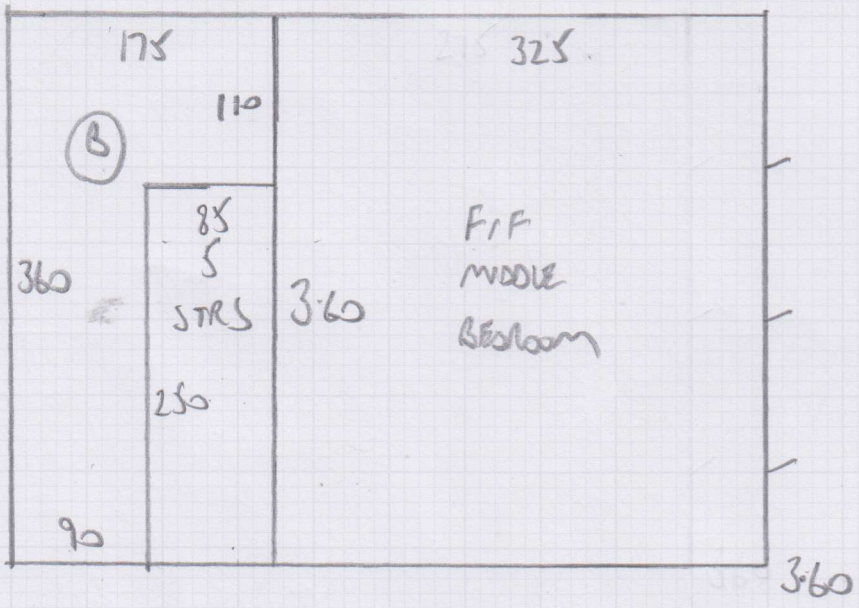
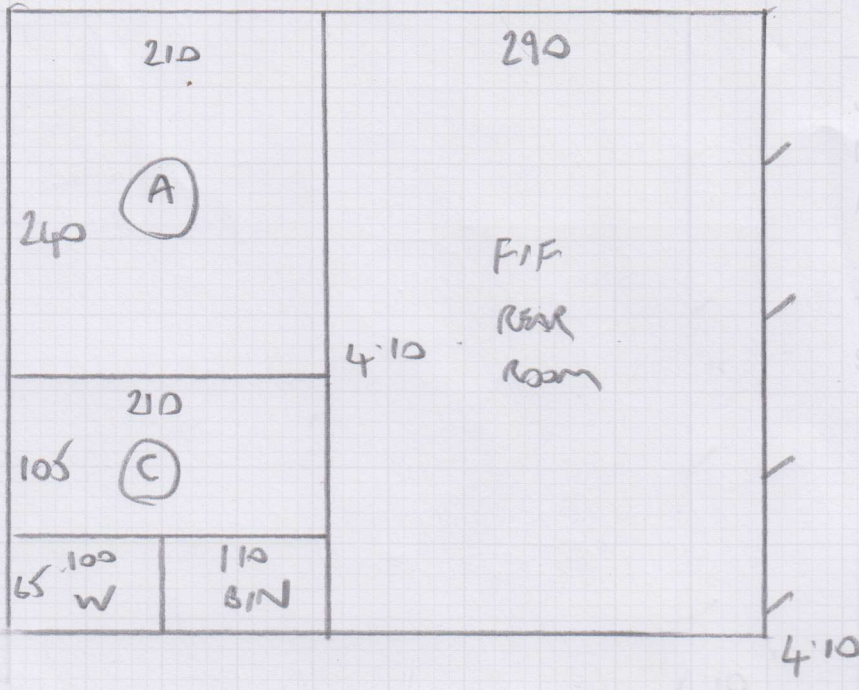
Job No: F25970

Name: TEIXEIRA

Address: 41 MUSKIE RD
WB 8NR

Tel:

Sheet: 2 of 5



Job No: F25970

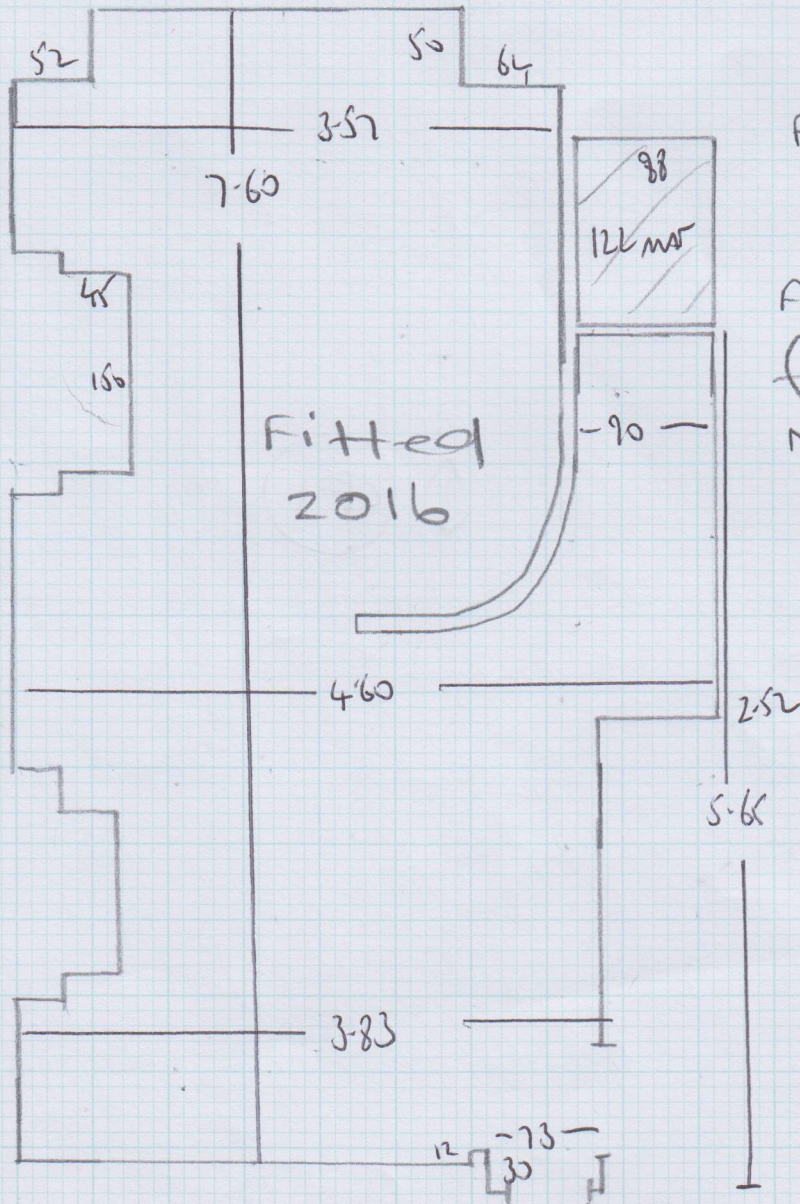
Name: TEIXEIRA

Address: 41 MUSKES ROAD
 W6 8NR

Tel:

Sheet: 3 of 5

Ground Floor



PENTWIST 50
 SANDCASTLE

Already
 fitted
 NOV 2016

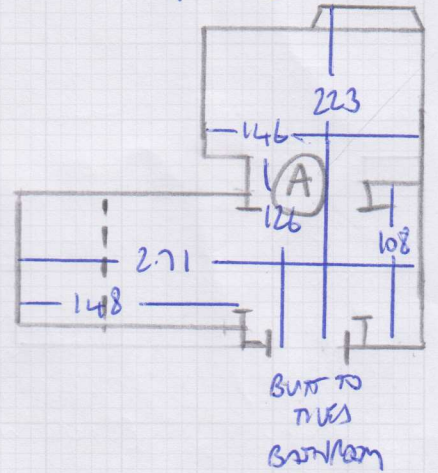
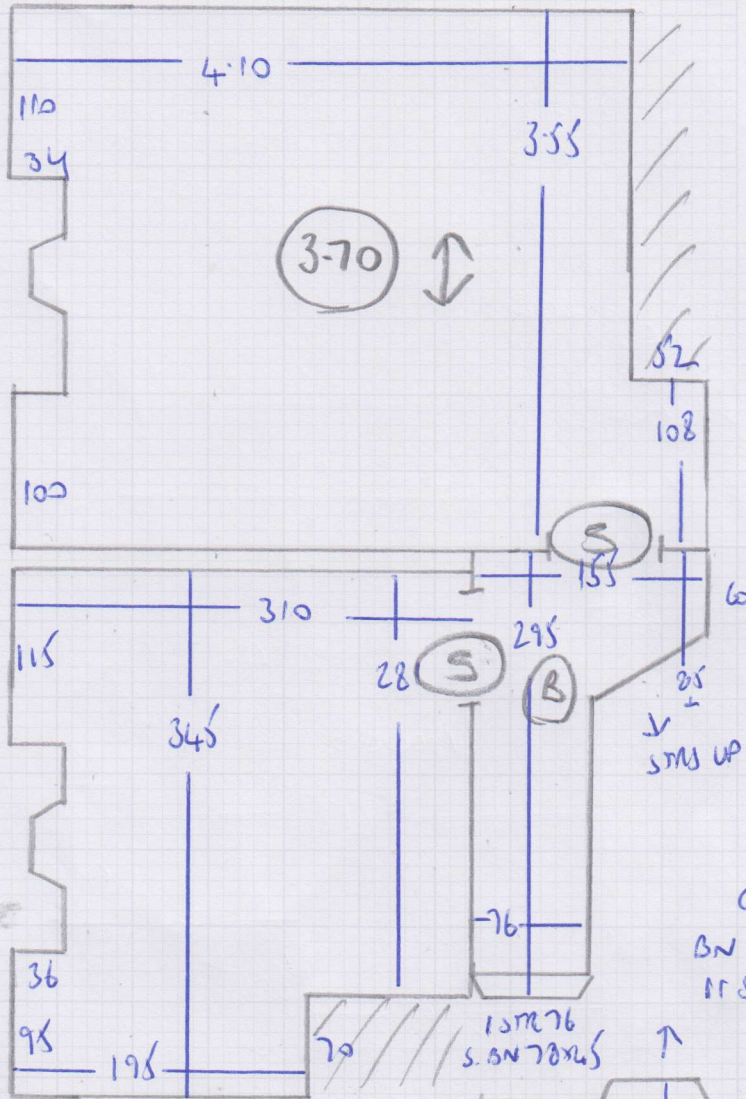
- ① UPLIFT CARPET
- ② LAY NEW 10MM PU FOAM UNDERLAY UNDERNEATH
- ③ RE-FIT CARPET

FIRST FLOOR

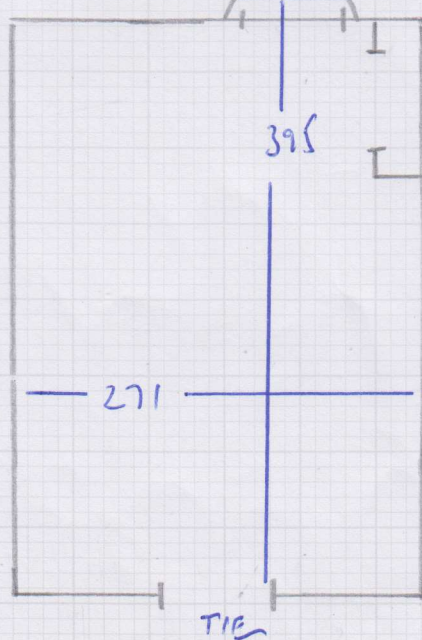
Job No: F25970
 Name: TEIXEIRA
 Address: 41 MUSARD ROAD
 WB 8NR

Tel:
 Sheet: 4 OF 5

TOP FLOOR W 78x46
 * 4 STRS 68 2 STRS 73



(S) = Seam Doorways



Job No: F25970
Name: TEIXEIRA
Address: 41 MUSGRAVE ROAD
W6 8NR
Tel:
Sheet: 5 of 5

TOP Floor

