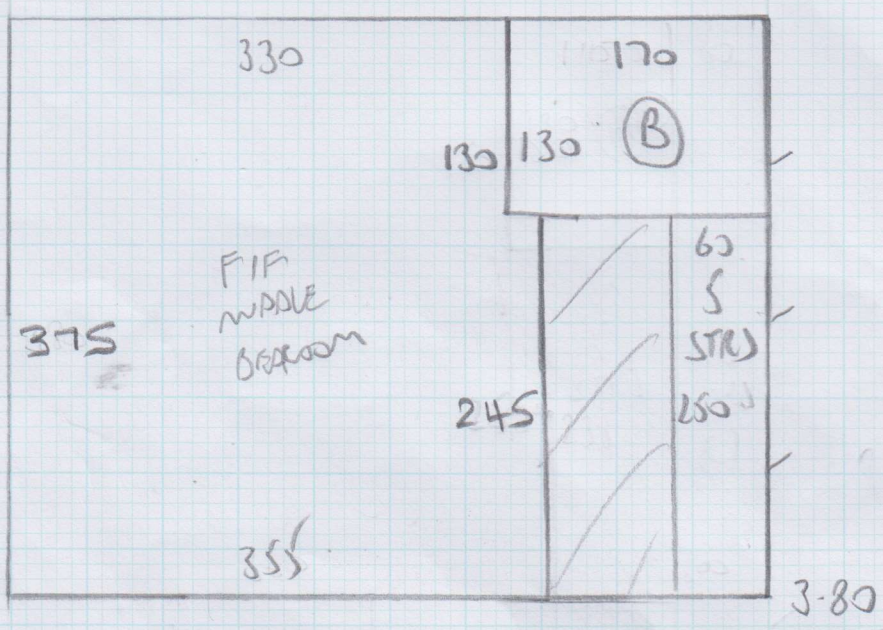
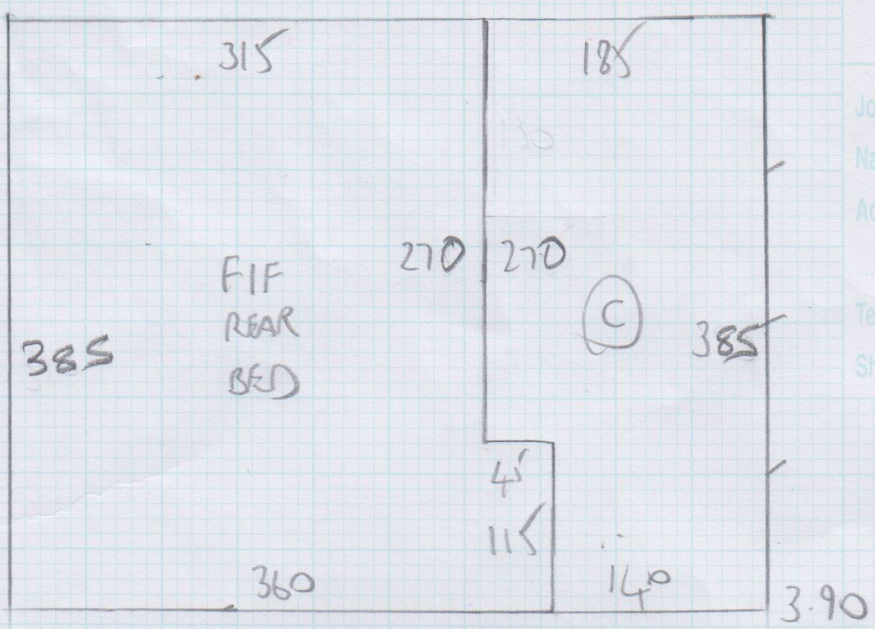


Job No: F25995
 Name: ADN WORTH
 Address: 12 NITON ST
 SW6 6NJ
 Tel:
 Sheet: 1 OF 4



- 4.55 MASTER BED
 - 5.90
 - 6.90
 - 3.90
 - 3.75
- } CIP

SLOANE TWIST SUPER
 HICSO
 2LO-5025 (FOSSIL)

$25.00M \times 5.00M = 126.75M^2$

25.00 x 5.00 = 126.75

$25.50M \times 5.00M = 127.50M^2$

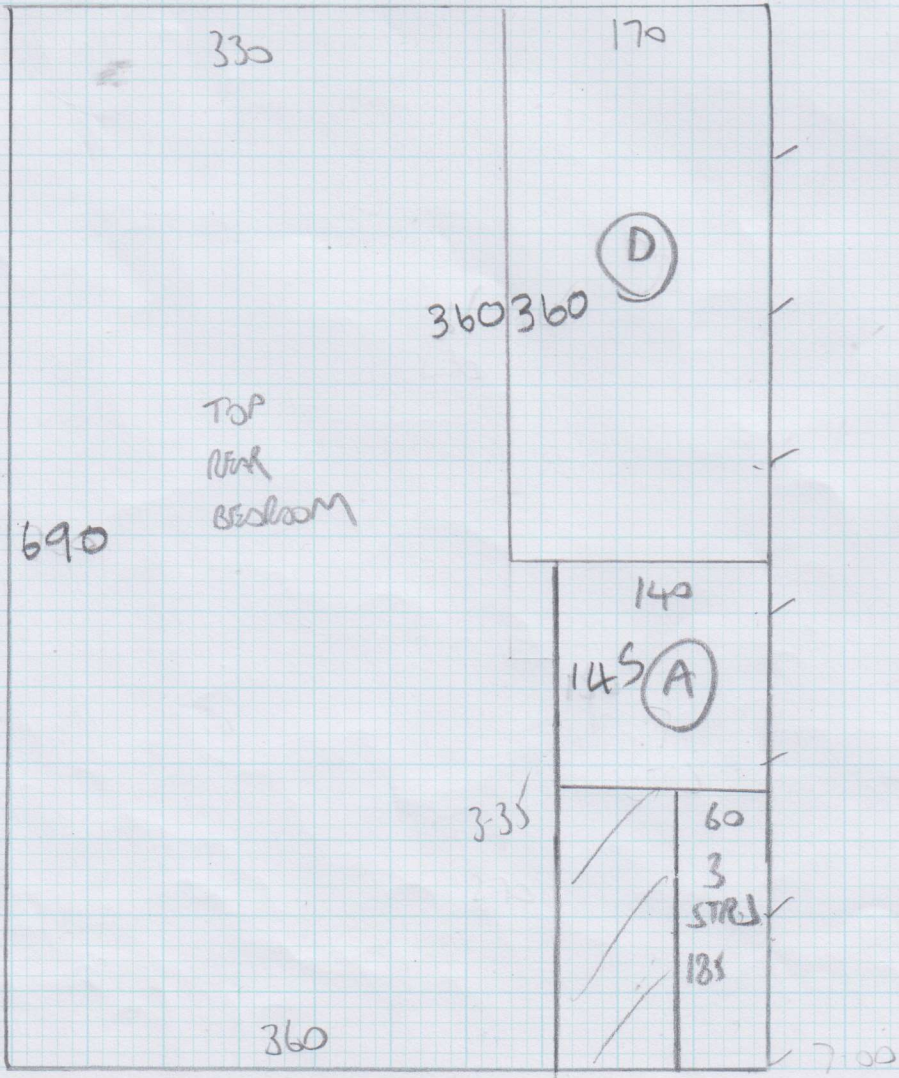
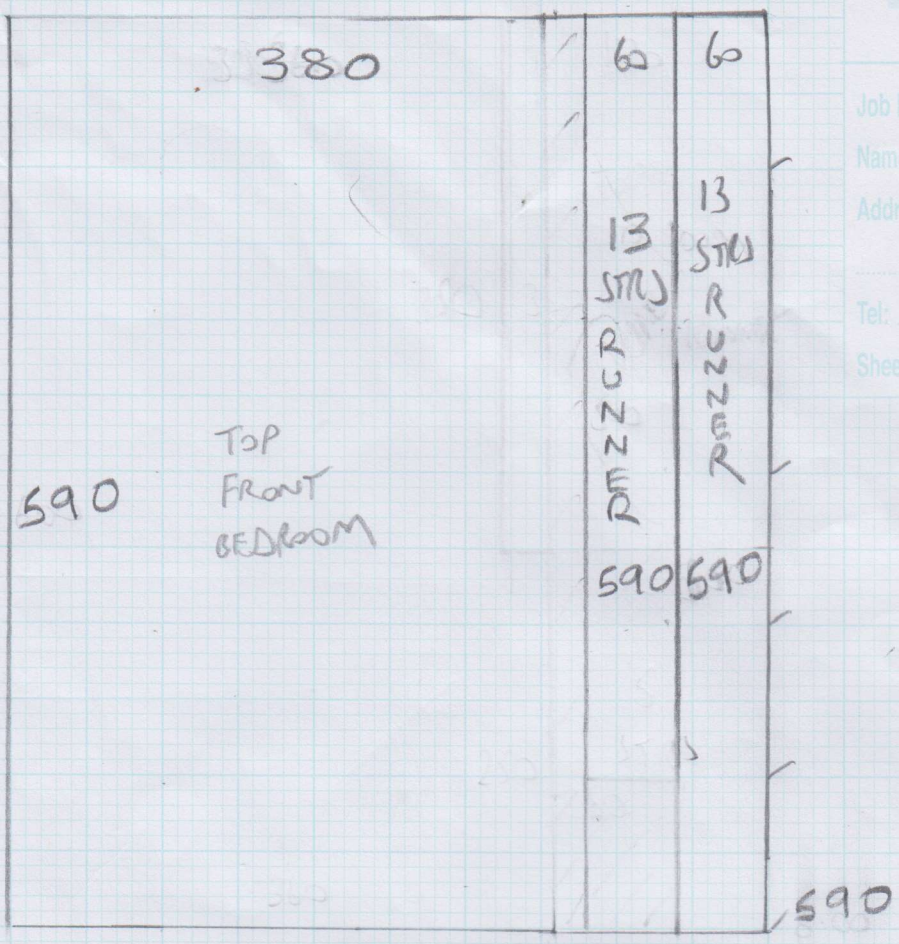
Job No: F2599S

Name: ASHWORTH

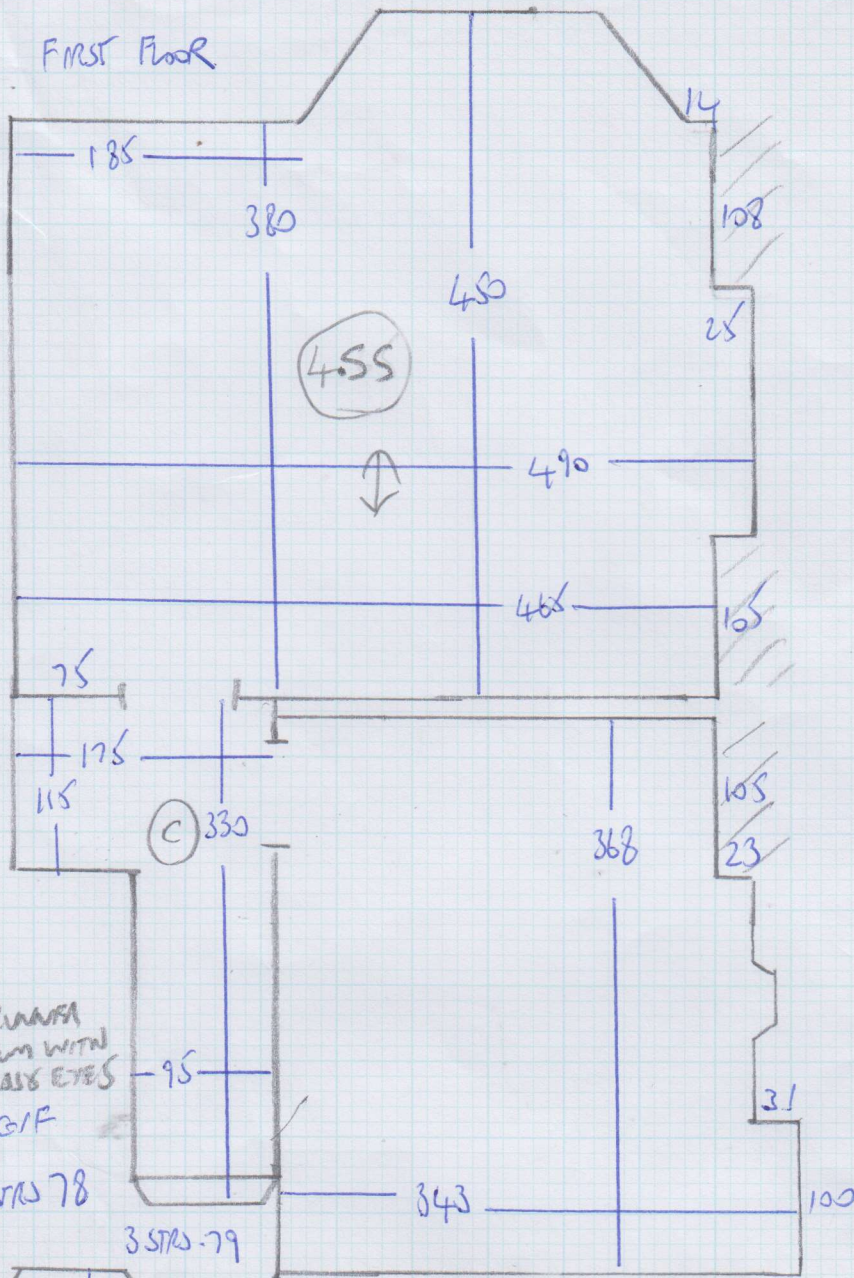
Address: 12 NITON ST
SW6 6NJ

Tel:

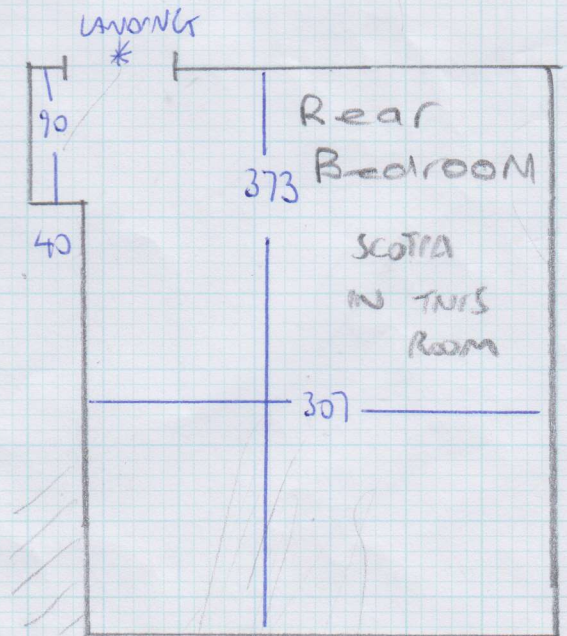
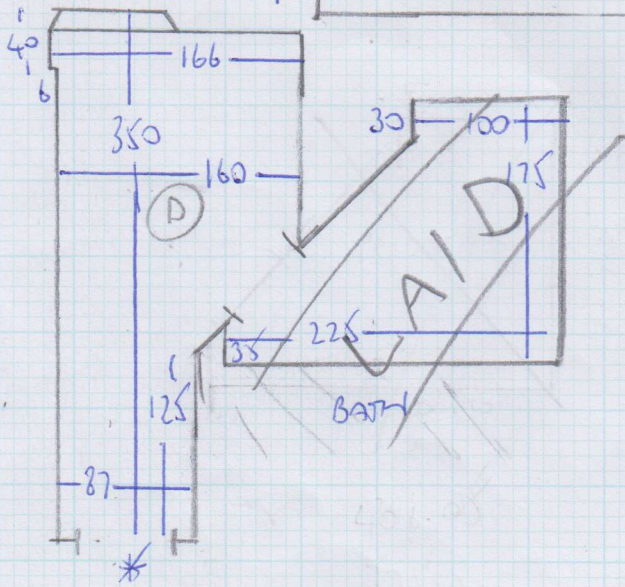
Sheet: 2 of 4



FIRST Floor



EX RUNNER
SOON WITH
ROSS EYES
G/F
13 STRS 78
3 STRS 79



Job No: ~~F24932~~ F25995

Name: ASHWORTH

Address: 12 NITON ST
SW6 6NJ

Tel:

Sheet: 3 OF 4

TOP FLOOR

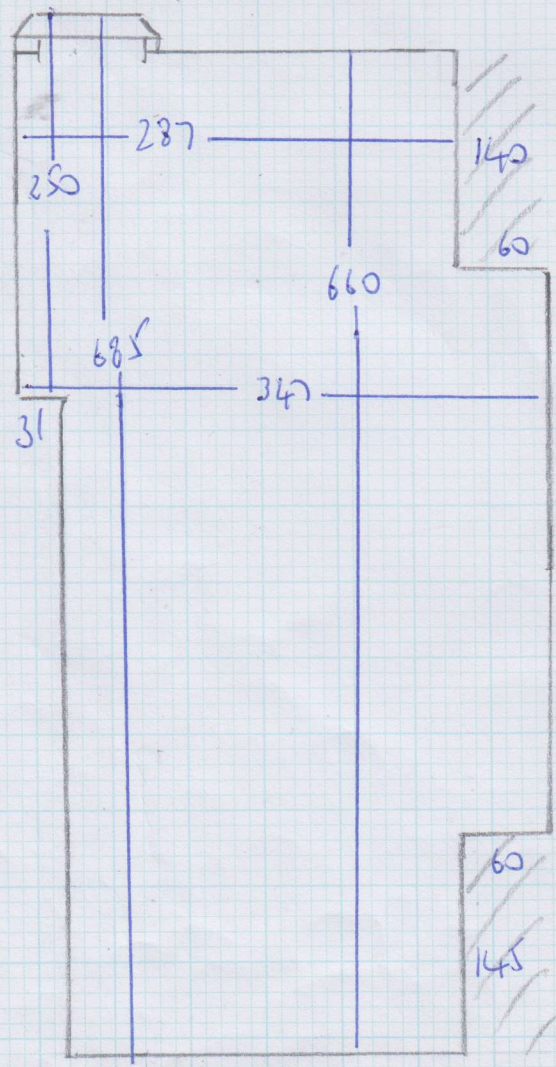
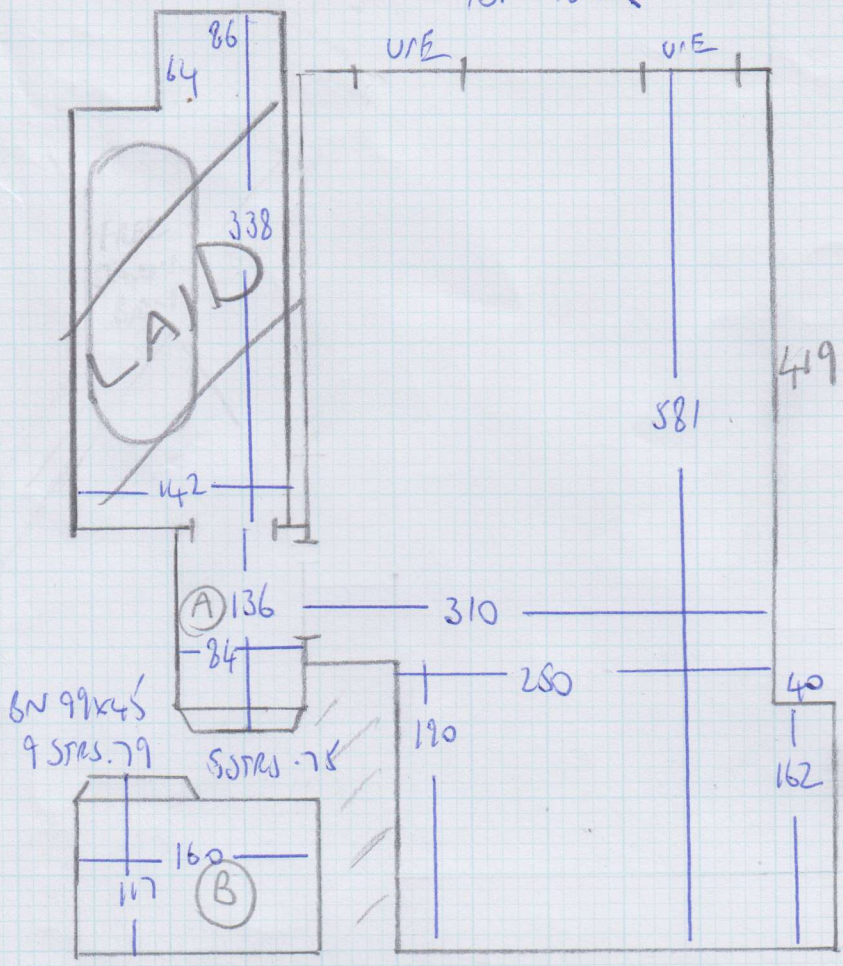
Job No: ~~F24130~~ F25995

Name: ASNWORTH

Address: 12 NITON ST
SW6 6NJ

Tel:

Sheet: 4 OF 4



LARGE (LINED) STAIRS
NOT FLOORBOARDS

Whipping & Binding Workshop Instructions



To: **Kasias Karpets Ltd** 07825 156676
 Branch: Fulham - Tel: 020 7381 1989 E:fulhambranch@mr-carpet.co.uk
 Branch Contact: John McArthur

Customer Name: Mrs Ashworth

Please quote on invoice

Job No: F25995

Please quote on invoice

Description of Carpet: Sloane Super Twis SLO-5025

Carpet Finish: Top Taping SIDES ONLY

Number of Pieces: 4

Sizes to be cut to: (If applicable) 5.90m x 60cm x 2, 2.50m x 60cm & 1.50m x 60cm

Runner Lengths for Taping: Please check before sewing

Date for collection: 05 December 2017

Required back by: 11 December 2017

Collection From: Warehouse

Return To: Warehouse

If Tape Selected

Colour of tape: HB-8304 (C/T C32 Down)

Supplied By: Kaisha

If Whipping:

Size of Tape: 120mm

Amount Visible on Top: 55mm

Colour of Whipping:

Special Instructions

Sewing charges authorised - Please note only charges authorised in writing will be paid on invoice

Materials	Description	Quantity	Unit Cost	Total
Whipping	Under 3m x 3m		£2.30	
	Over 3m x 3m		£2.50	
Standard Taping	Labour Only Under 3m x 3m	32.00	£6.00	£192.00
Double Taping	Labour Only Under 3m x 3m		£8.50	
Faux Suede & Leather	Labour Only Under 3m x 3m		£7.00	
Mitres Cotton	Per Corner		NOT APPLICABLE	
Mitres Leather	Per Corner		NOT APPLICABLE	
Blind Stitching MACHINE	38mm Tape Labour & Tape		£8.00	
Blind Stitching HAND SEWN	38mm Tape Labour & Tape		£10.50	
Hidden Stitching	Additional cost per lin M to above prices (Enter the same quantity as tape quantity)		NOT APPLICABLE	

Materials & other charges

Quantity	Description	Quantity	Unit Cost	Total
	Per Lin M		£1.00	
Padding	Per Lin M		£4.00	
Chenille Tape 120mm	Per Lin M		£3.50	
Chrome Tape 120mm	Per Lin M		£3.00	
Cotton Tape 70mm	Per Lin M		£3.50	
Cotton Tape CK 120mm	Per Lin M		£4.00	
Cotton Herringbone HB 120mm	Per Lin M	32.00	£5.50	£128.00
Faux Leather 120mm	Per Lin M		£5.50	
Faux Suede 120mm	Per Lin M		£5.50	
Goblin GLV 120mm	Per Lin M		£4.00	
Jute 120mm	Per Lin M		£3.00	
Leather 120mm	Per Lin M		£12.50	
Pipeline	Per Lin M		£3.00	
Starline (Linen) LS 120mm	Per Lin M		£5.50	
Superstrong 120mm	Per Lin M		£5.50	
Slim 120mm	Per Lin M		£5.50	
Teakline 120mm	Per Lin M		£3.00	
			£5.50	

Sub Total £320.00
 VAT @ 20% £64.00
Total £384.00