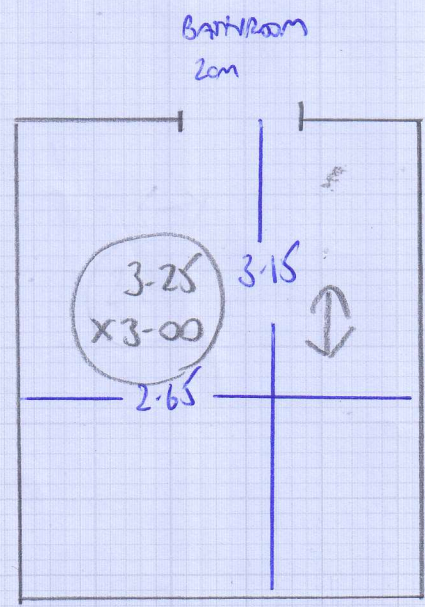
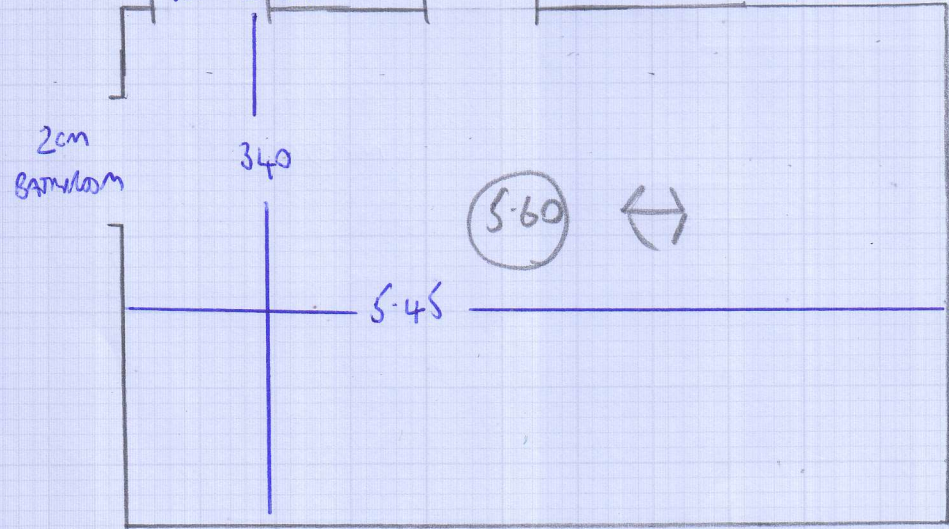
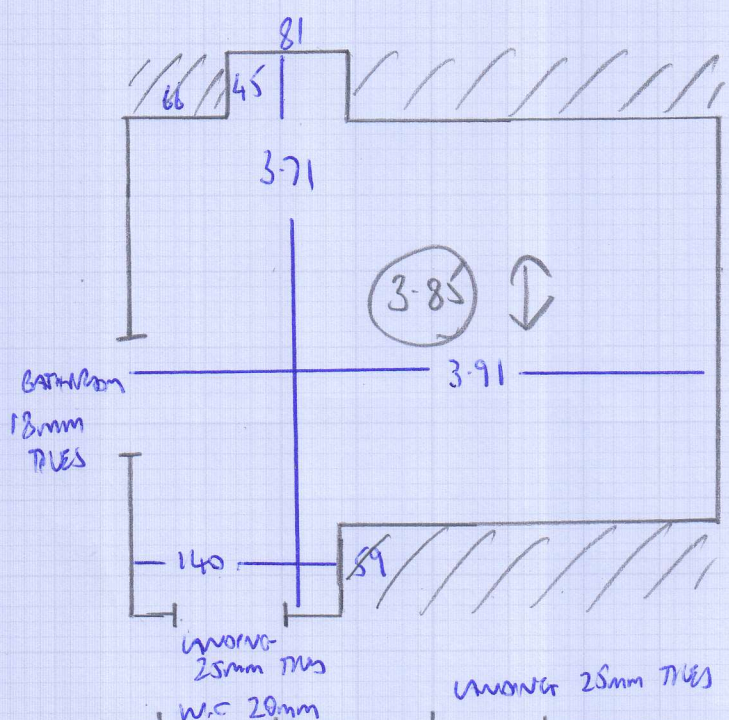


Job No: F26074
 Name: CUE DEVELOPMENTS
 Address: 4 ABBOTSBURY CLOSE
 WIL4 8EG
 Tel: 07799-130524
 Sheet: 1 of 1



$$\begin{array}{r}
 3.80 \\
 5.55 \\
 \hline
 9.35 \times 4.00 = 37.4 \\
 3.25 \times 3.00 = 9.75 \\
 \hline
 47.15m^2
 \end{array}$$