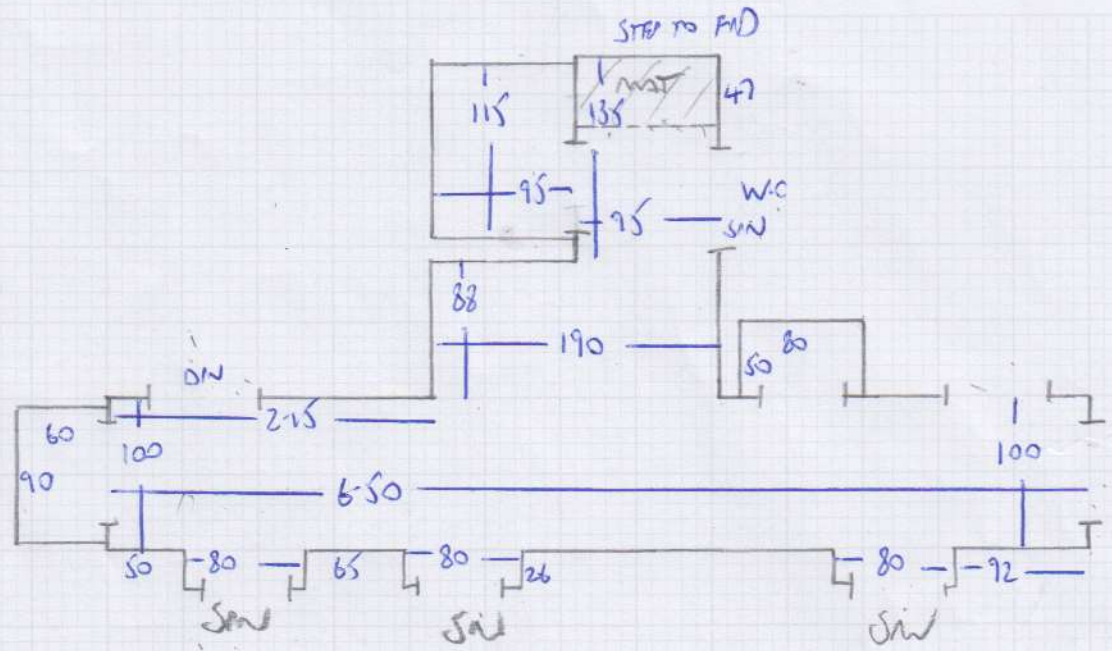


TRANSFORM BLACKJACK OAC  
 4 PACKS  
 COIR MATTING - 50 X 100 NATURAL.

Job No: F26041  
 Name: HAMILTON  
 Address: 33 LANCASTER COURT  
 SW6 5TB

Sheet: 1 of 1



11m<sup>2</sup> NETT  
 1m<sup>2</sup> FOR 2 ADDITIONAL CUPS

65  
3 x 110cm