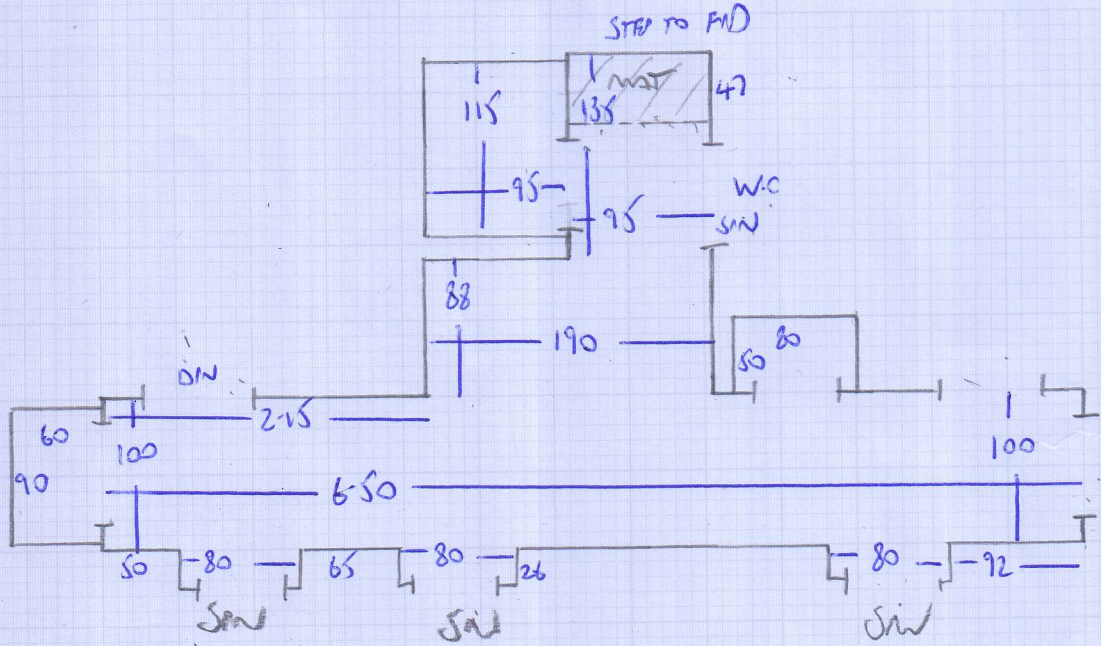


TRANSFER BLACKJACK OAK
4 PACKS
COIR MATTING - 50X100 NATURAL

Job No: F26041
Name: HAMILTON
Address: 33 LANCASTER COURT
SW6 5TB

Sheet: 1 of 1



11m² MATT
1m² FOR 2 ADDITIONAL CUPS

65
3 x 100x100