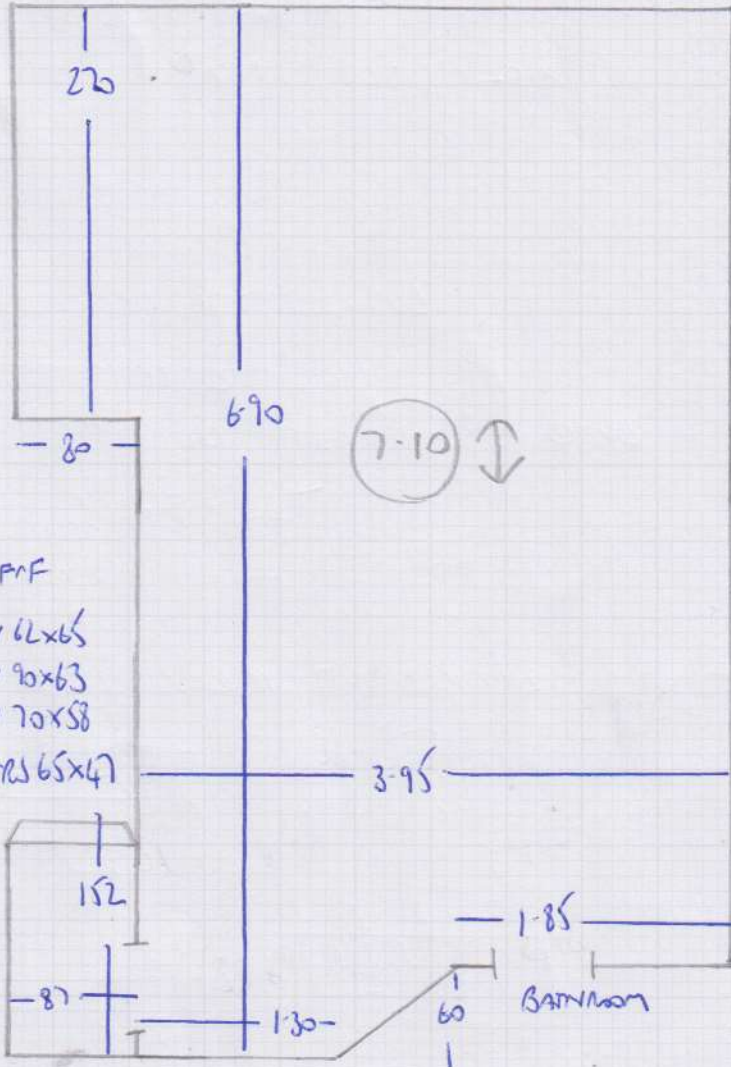


Top Floor

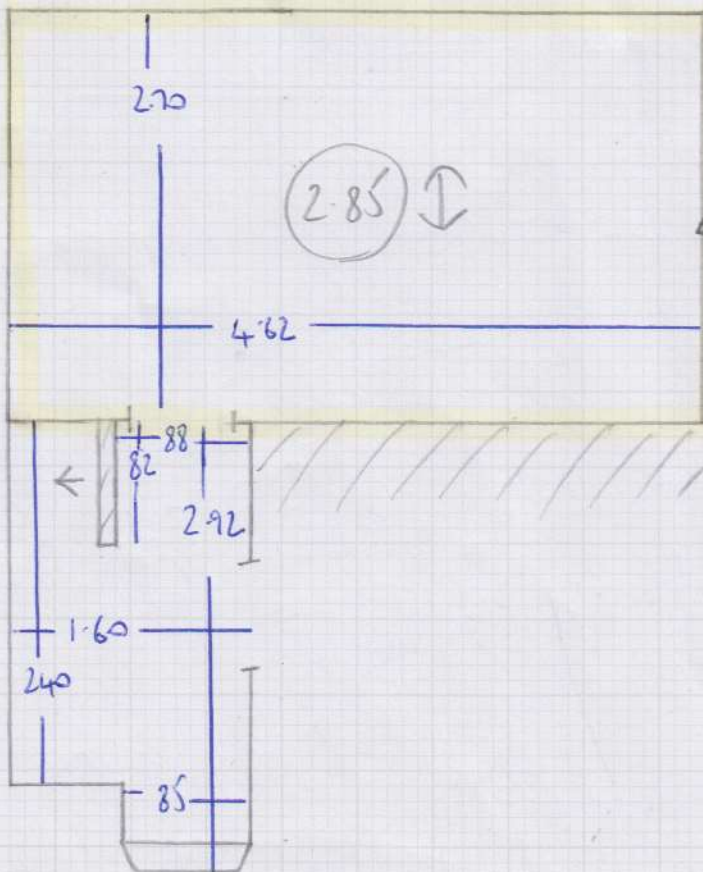


- PrF
- 3 W 6Lx6S
 - 2 W 90x63
 - 1 W 70x58
 - 9 SPRS 65x47

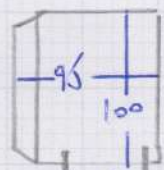
mrcarpet

Job No: F26090
 Name: NOBLE
 Address: 55 MILSON ROAD
 W/4 OLT
 Tel:
 Sheet: 1 OF 1

FIRST Floor



COLORADO
 COL-2210
 1st Phase



- 4 W 83x57
 - 5 W 100x64
 - 6 W 70x60
 - 6 SPRS .71
 - 5 W 93x45
 - G/F
- ← Kitchen DIN