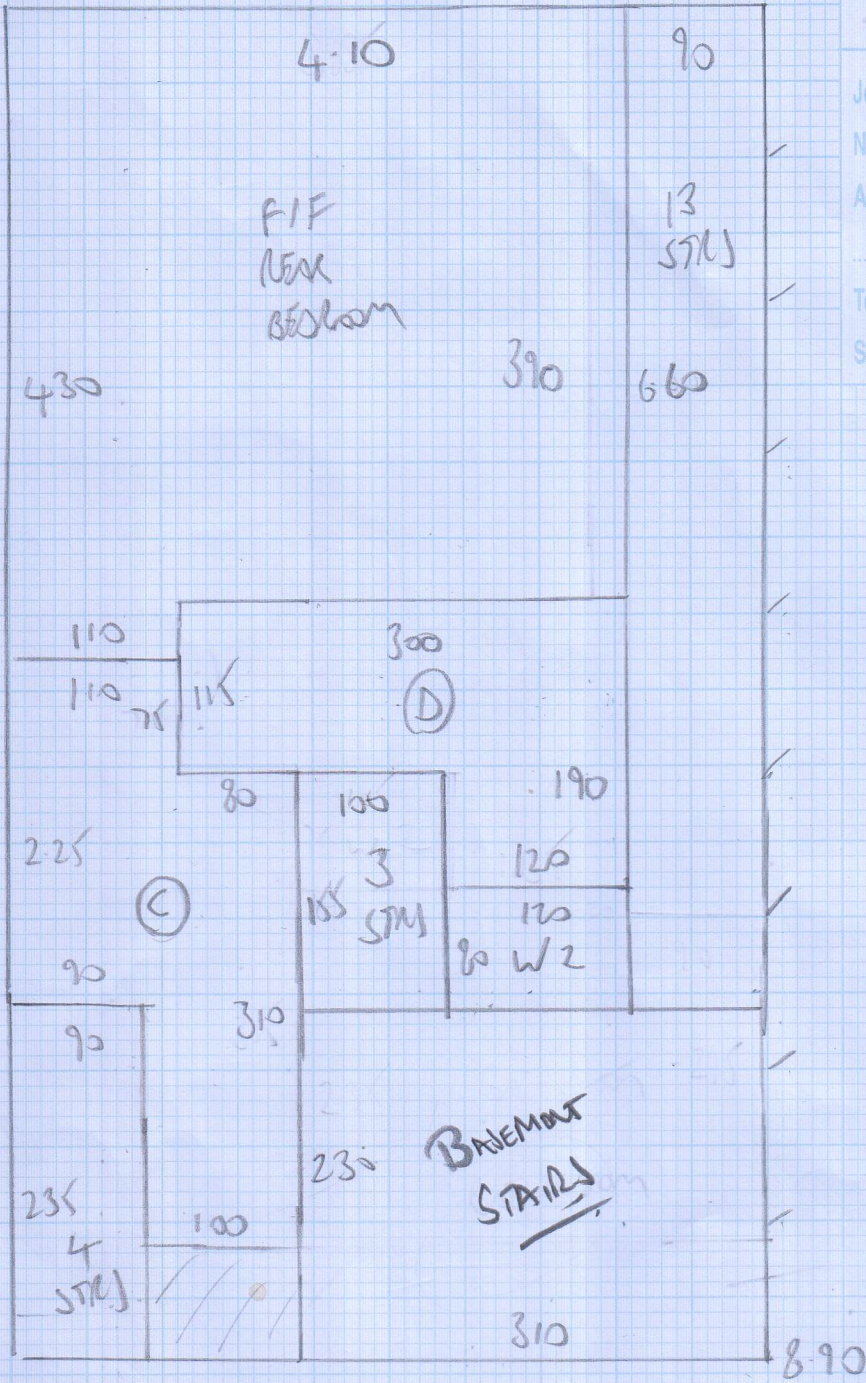




Job No: F 26116
Name: ELLIS
Address: 54 PULLMEAD ST
SW6
Tel:
Sheet: 1 OF 5



8-90
8-90
7-00
6-20

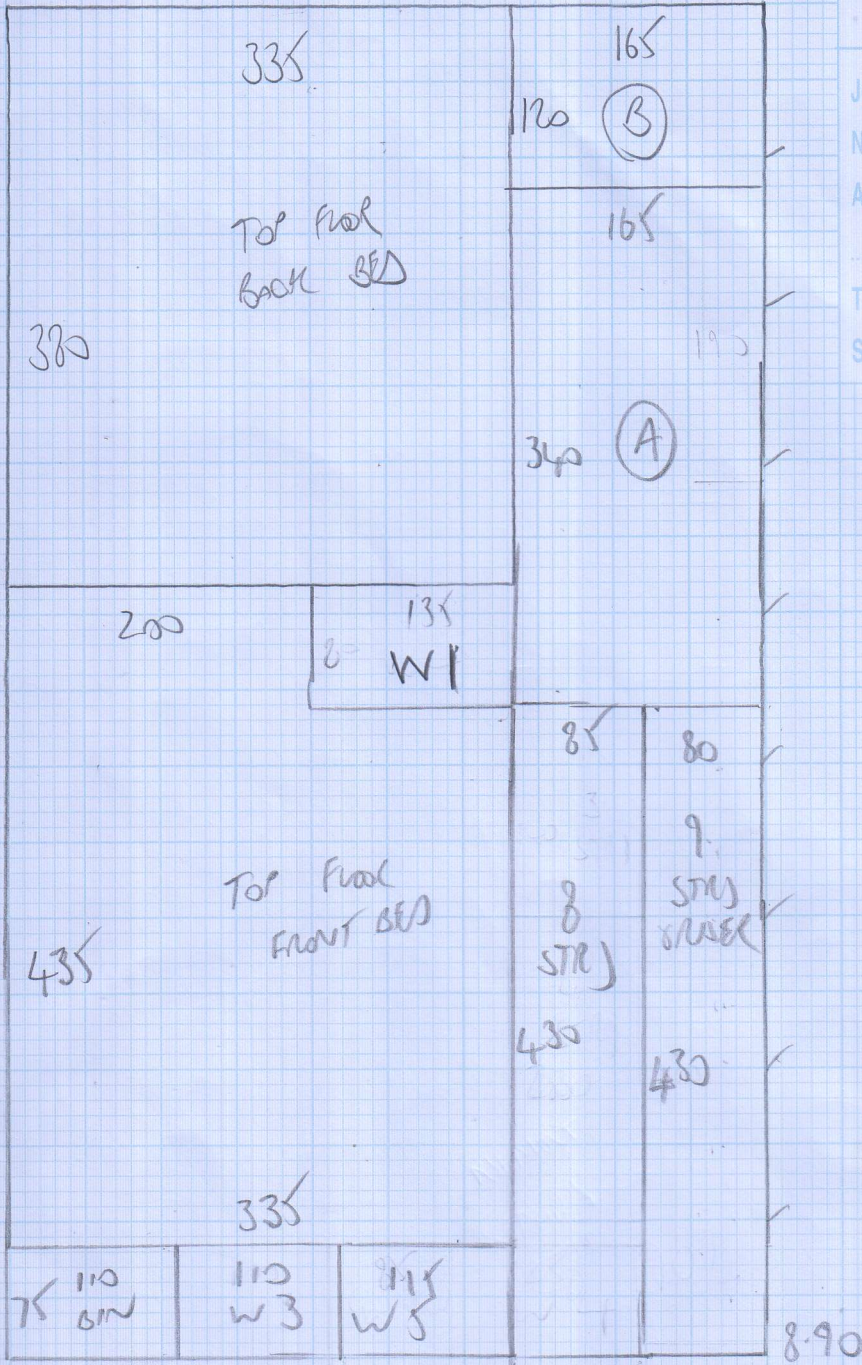
31 x 5 - 155 D

SEAM (Dormer)

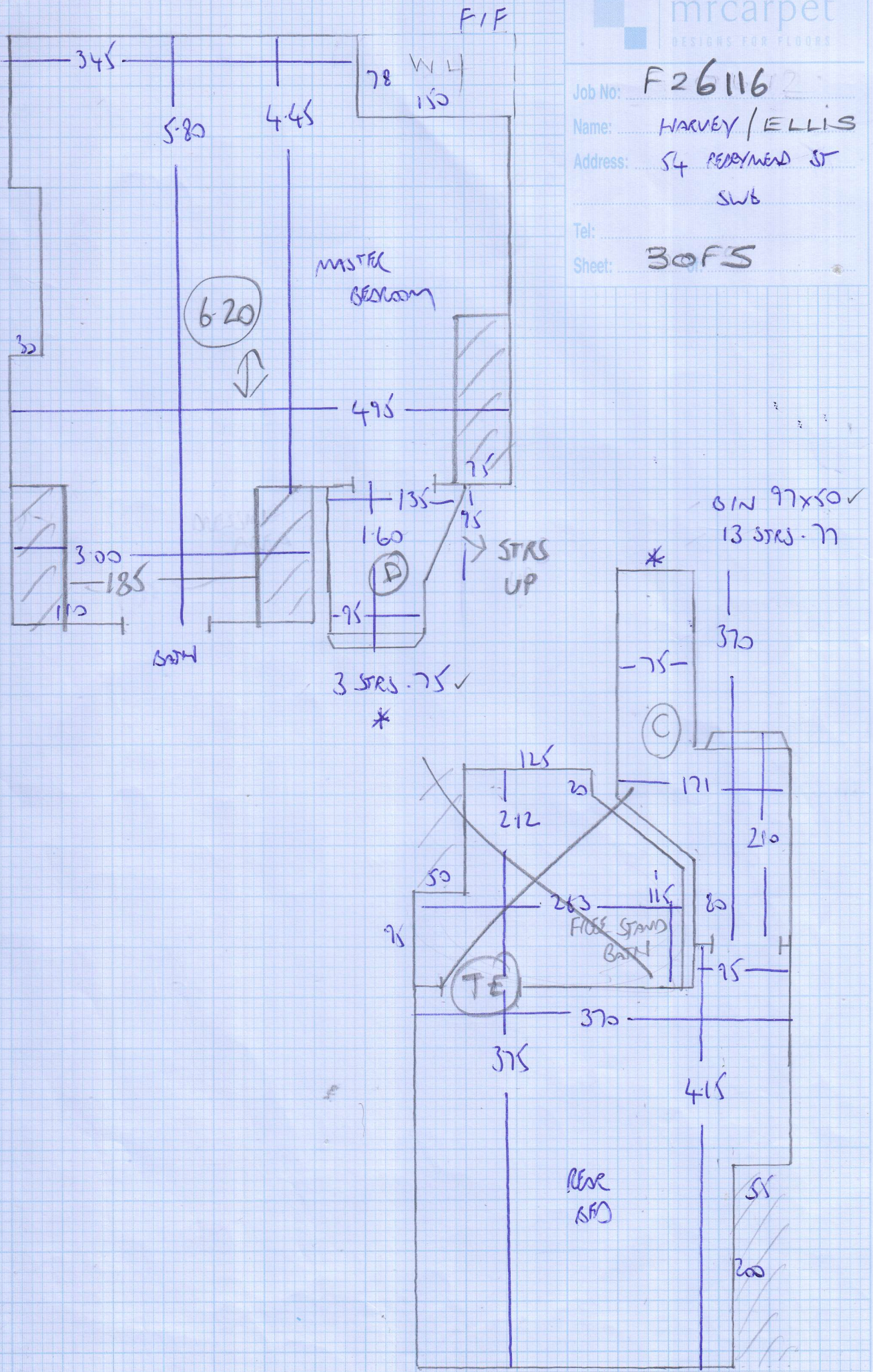
FINE CORN OYSTER



Job No: F261162
 Name: ELLIS
 Address: 54 PECKYMEAD ST
 Sub
 Tel:
 Sheet: 2 OF 5



Job No: F26116
 Name: HARVEY / ELLIS
 Address: 54 REDYMEAD ST
 SW6
 Tel:
 Sheet: 30FS





Job No: F26116

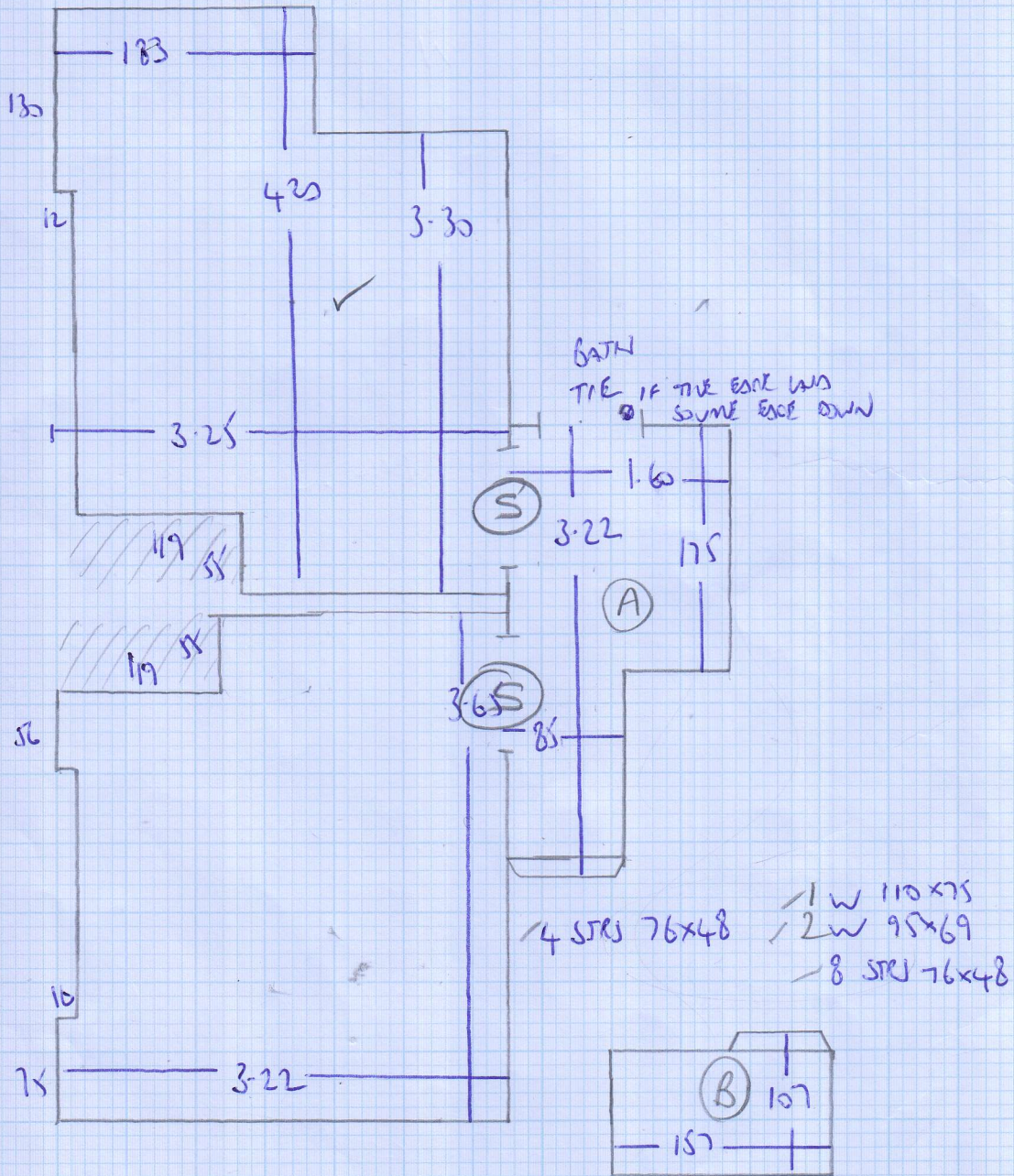
Name: HARVEY/ELLIS

Address: 54 REDDEN ST
SW6

Tel:

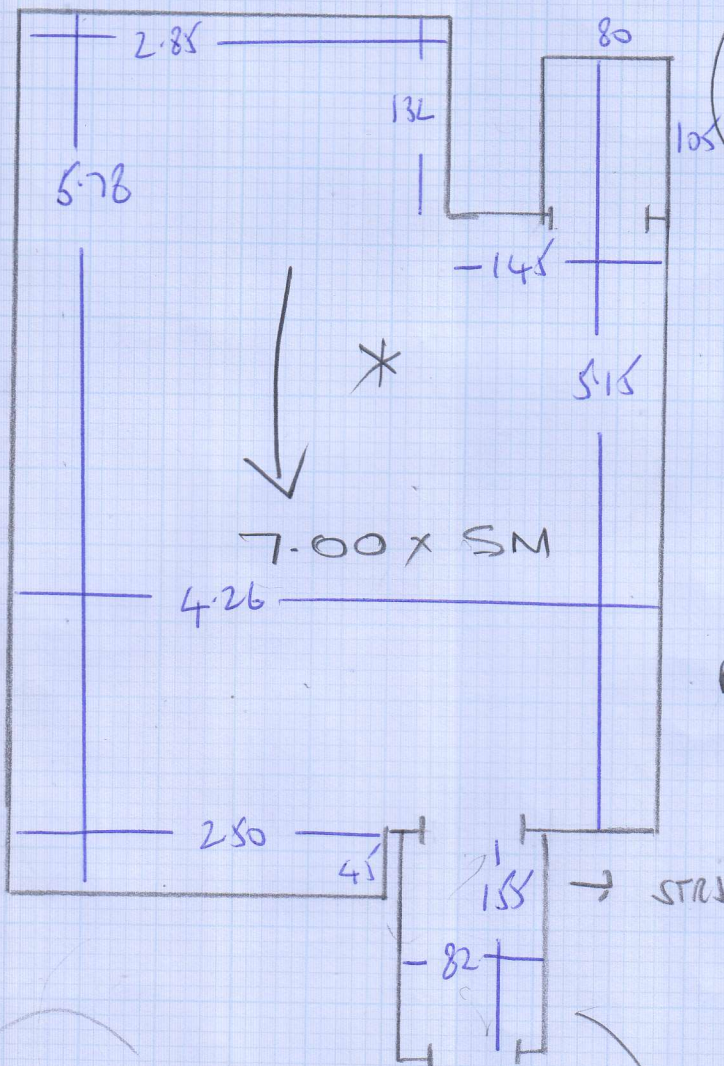
Sheet: 4 of 5

Top Floor



Job No: F 26116
 Name: HARVEY LEWIS
 Address: 54 PERRYMAN ST
 SW6
 Tel:
 Sheet: 5 OF 5

NEW LAY OUT
 FOR BASEMENT ROOM



(RUN THROUGH
 IN ONE)

FINE SAND

OYSTER

7-00 x SM

+ FIT *

BASEMENT

STAIRS

TRUS TIR
 UTILITY

BASEMENT FLIGHTS

RISER. 71x.18

9 STAIRS - 74,

3 W - 90x.64

4 W - 105x.69

5 W - 70x.62

FID MAT 110x110

BLACK

Coil

MEASURE

ROLL