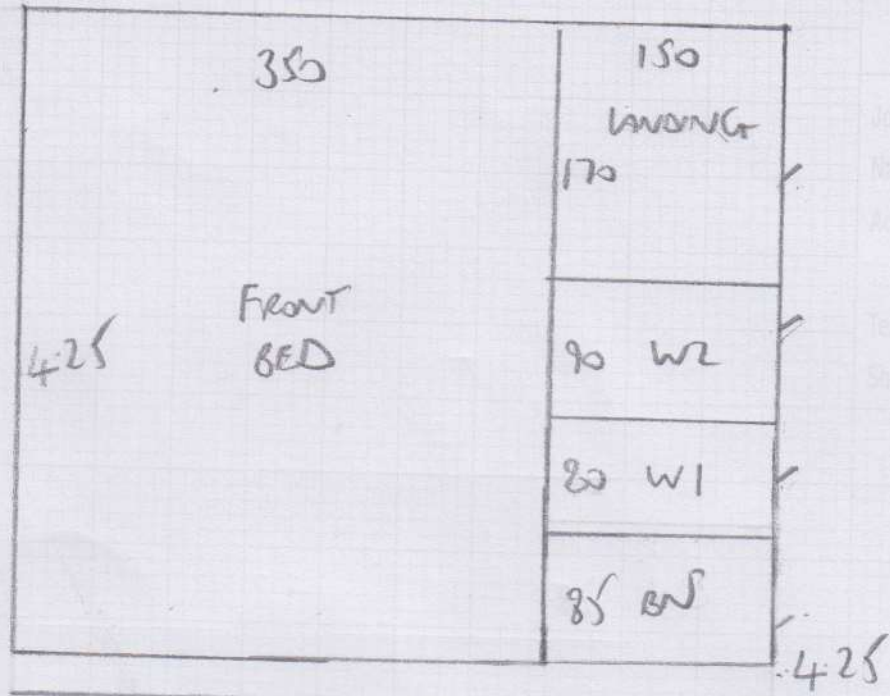
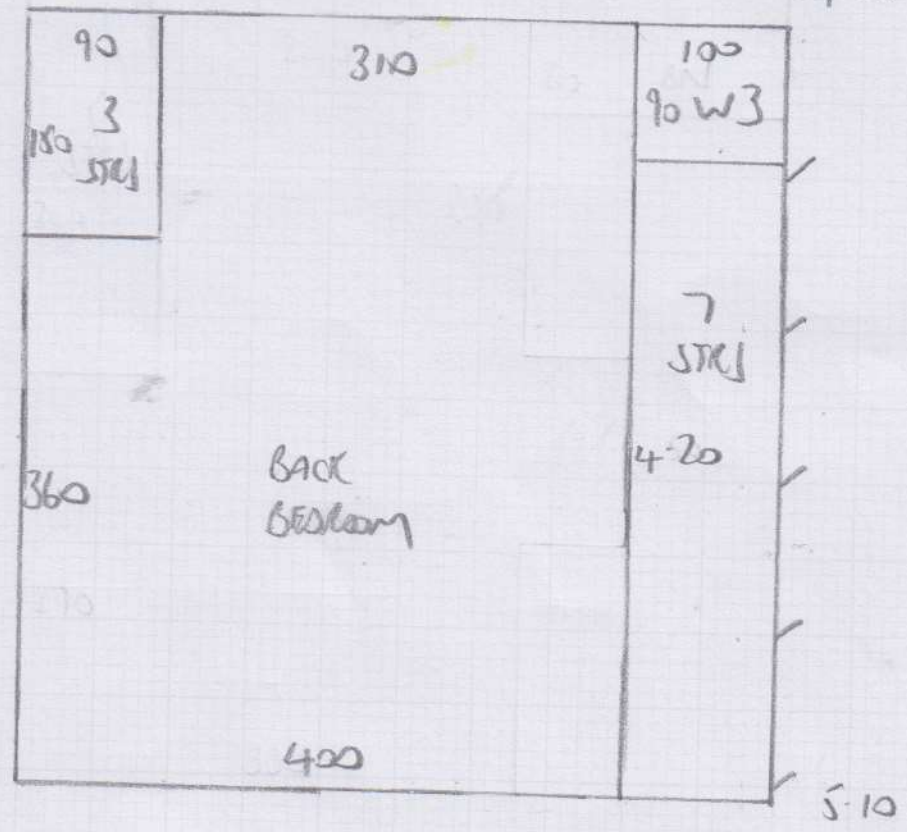


5m



Job No: F26343
 Name: POWER
 Address: 28 DALLAW ROAD
 SW6 5BT
 Tel:
 Sheet: 1 OF 2



4.25
 5.10

 9.35 x 5.00 = 46.75m²

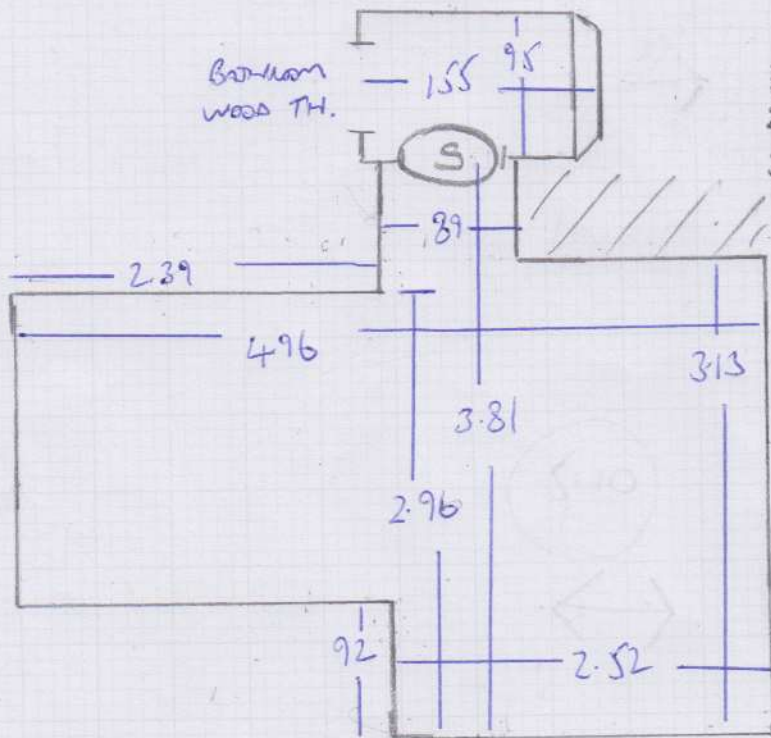
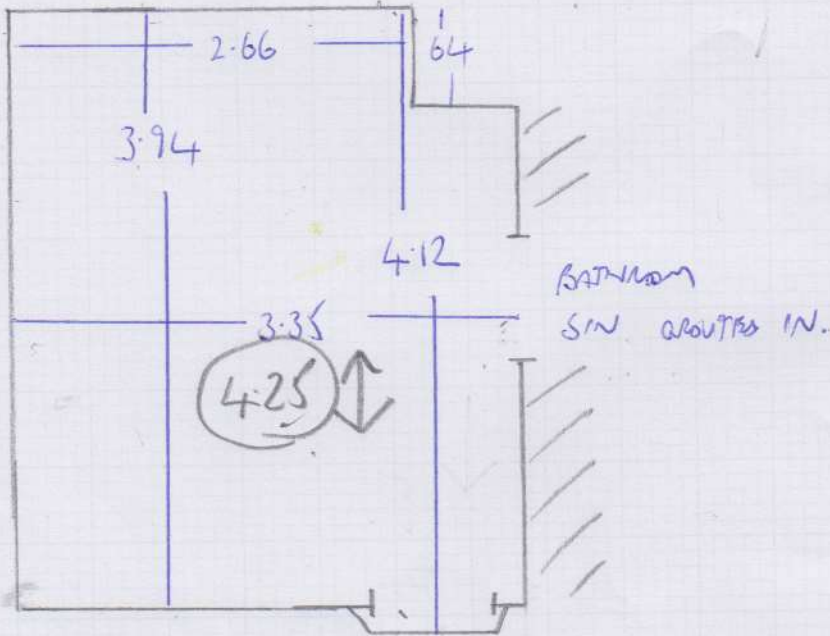
Job No: F26343 F26343

Name: THOMAS | POWER

Address: 28 ORCH RD
SW6 SBT

Sheet: 2 of 2

FIRST FLOOR
FRONT



- 2 STPS 84x47
- 1 W 98x67
- 2 W 122x73
- 3 W 79x70

- 7 STPS 82x47
- B/W 108x47
- G/F.