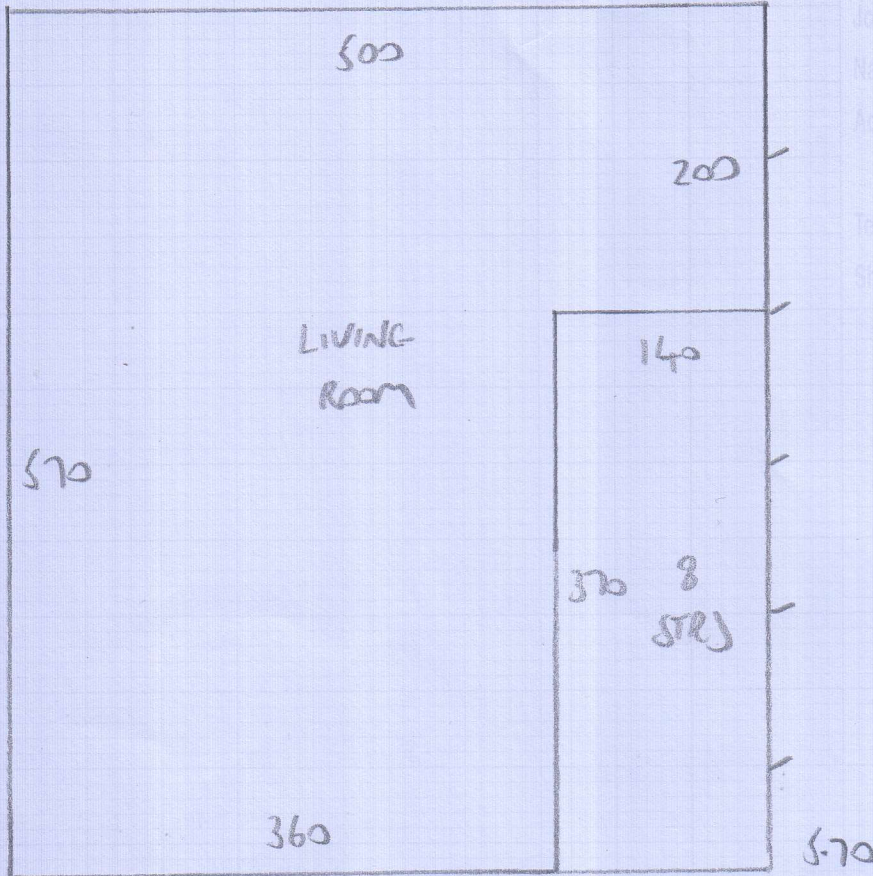


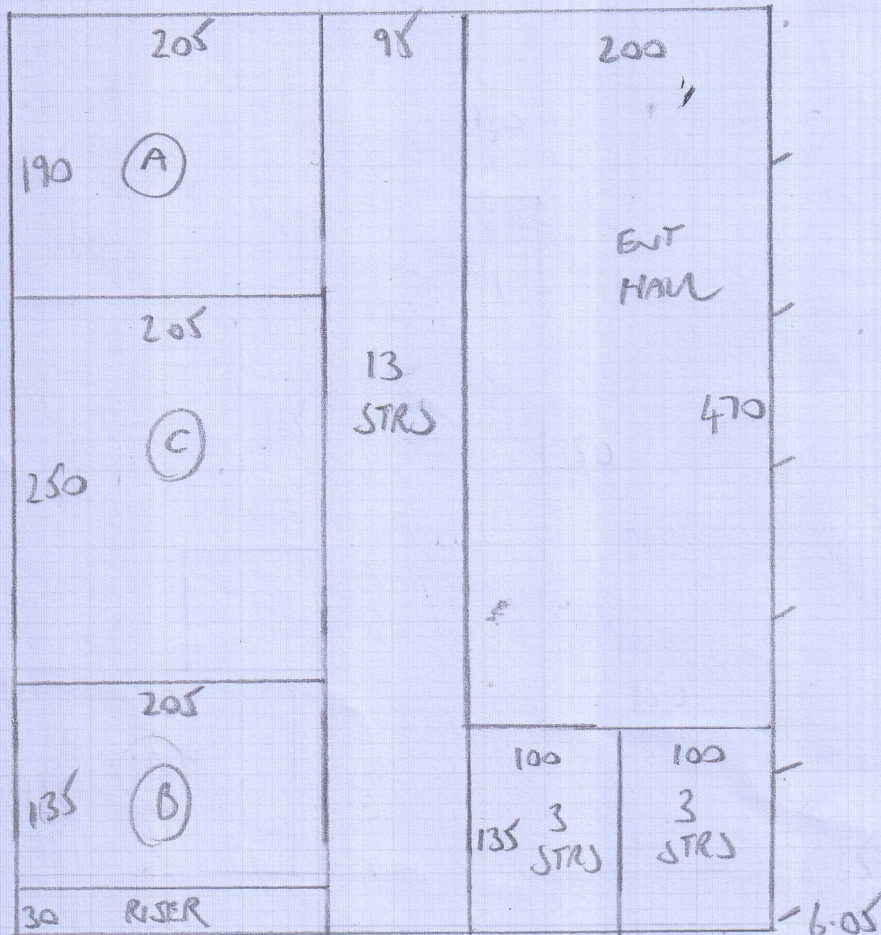
Job No: F26416
Name: LETS DO BUSINESS
Address: 146 PUTNEY HIGH ST
SWIS IRR

Tab:
Sheet: 1 of 3



- 5-55 TOP FRONT
- 3-05 TOP REAR
- 3-00 FIF REAR
- 5-70 } CIP
- 6-05 }

$23.35m \times 5.00m = 116.75m^2$



FIRST FLOOR

mrcarpets

Job No: F26416

Name: LETS DO BUSINESS

Address: 146 PUTNEY HIGH ST
SW15 1RR

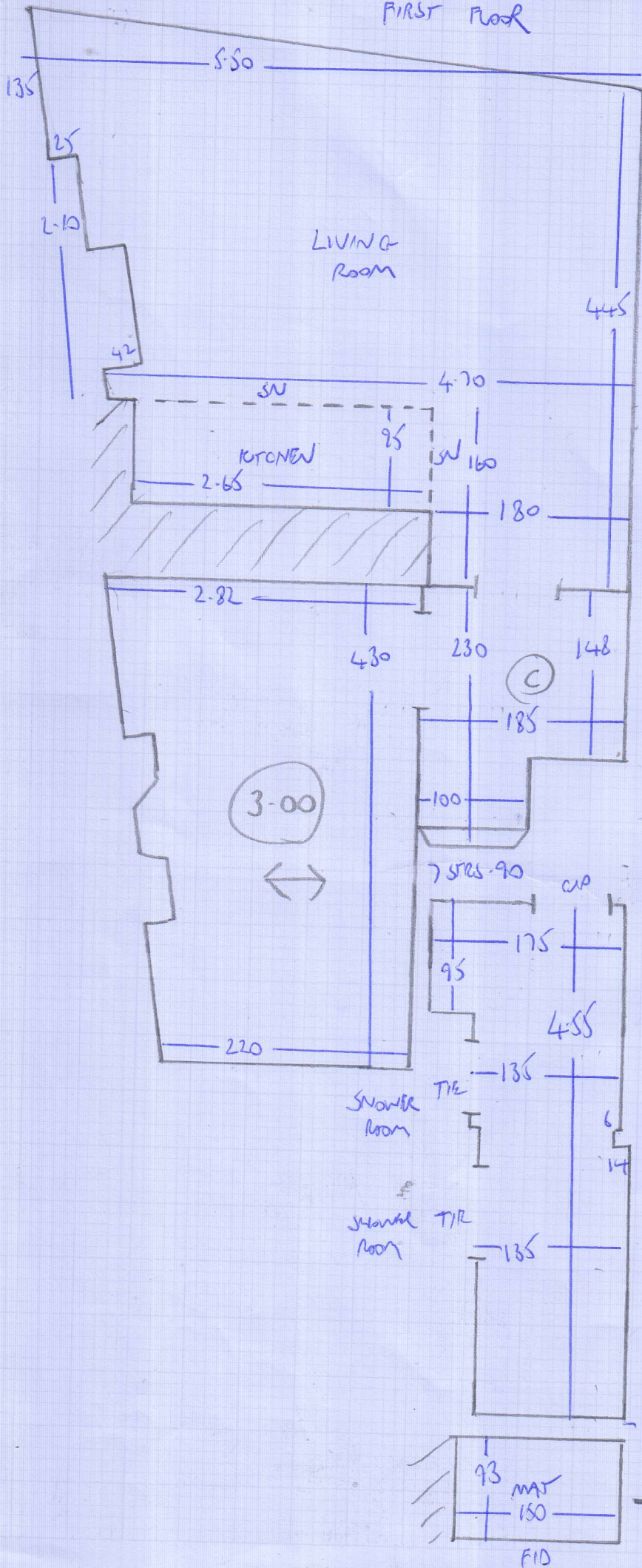
Tel:

Sheet:

23

EASY CARE

EASY 39



RISER 116X13

EXISTING NOSING

COR

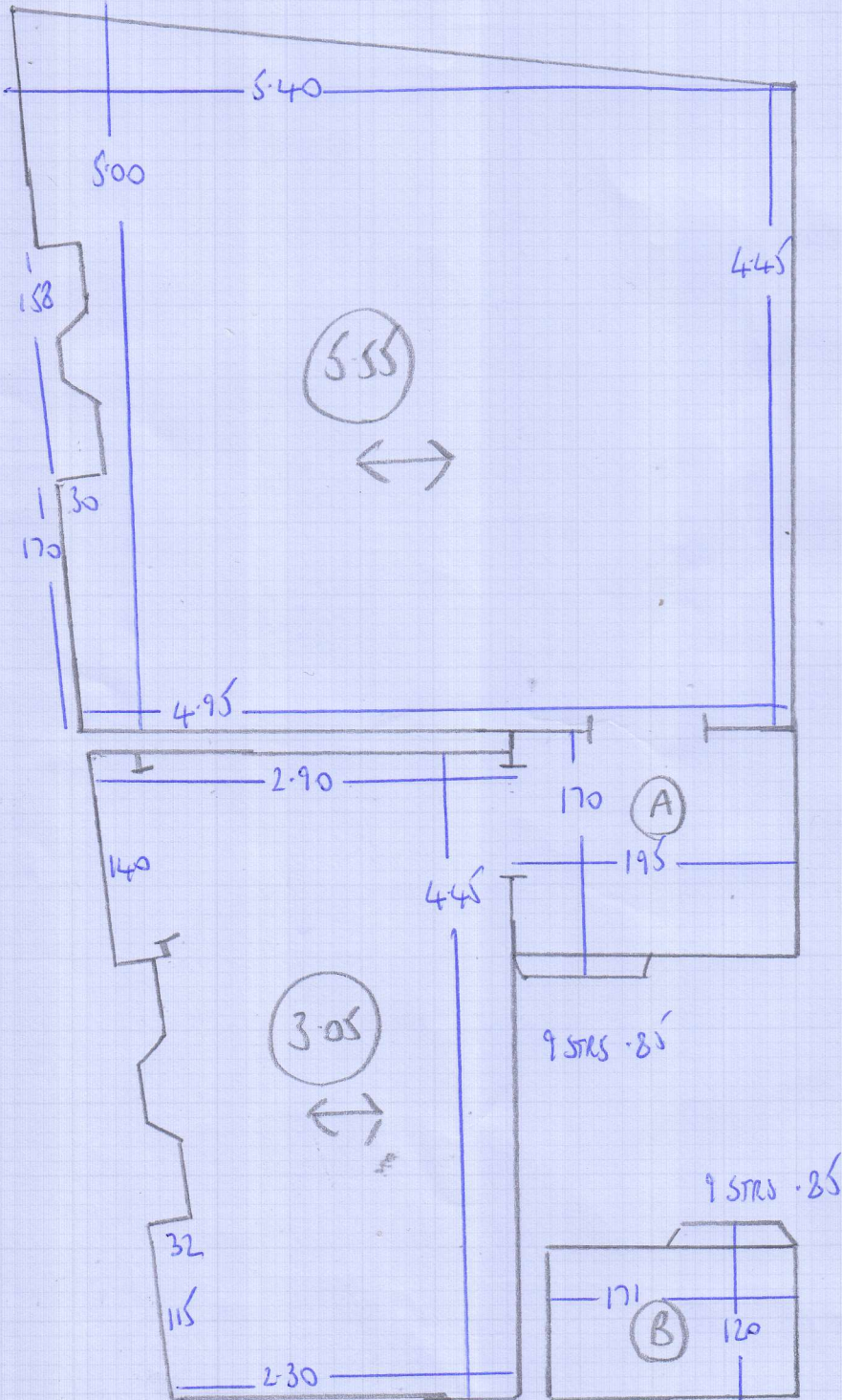
F10

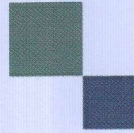
Job No: F26416
Name: LEIS DO BUSINESS
Address: 146 PUTNEY HIGH ST
SWIS 1RR

Tel:
Sheet: 33

TOP FLOOR

EASY CALC
EASY
34





mrcarpet
DESIGNS FOR FLOORS

301 Munster Road
Fulham
SW6 6BJ

Tel Nr: 020-7381-1989
Fax Nr: 020-7385-4006

ROLL BREAKDOWN

Job No: F26416
Customer Name: Lets Do Business
Carpet: Easycare Twist
Colour: Easy -39

Roll 1 – 25.00m x 5.00m

Top front	5.55m x 5.00m
Top rear	3.05m x 5.00m
F/F rear	3.00m x 5.00m
Cutting Plan 1	5.70m x 5.00m
Cutting Plan 2	6.05m x 5.00m

=====

Total	23.35m x 5.00m
--------------	-----------------------

Many Thanks

Graham