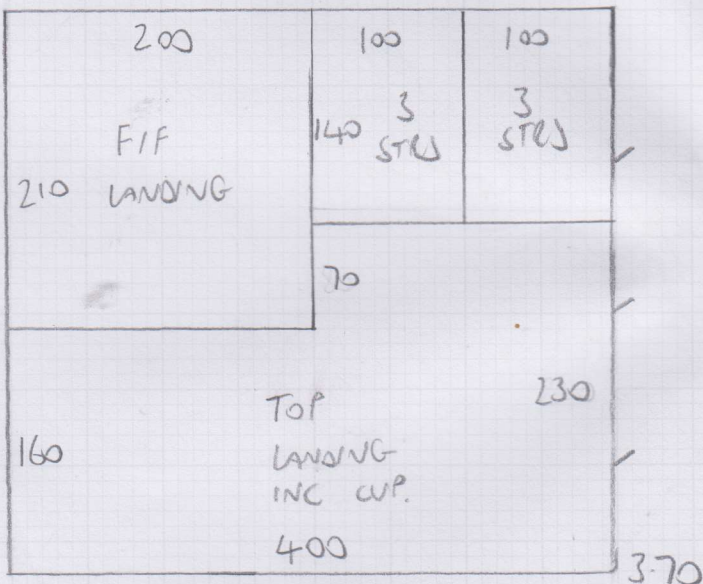
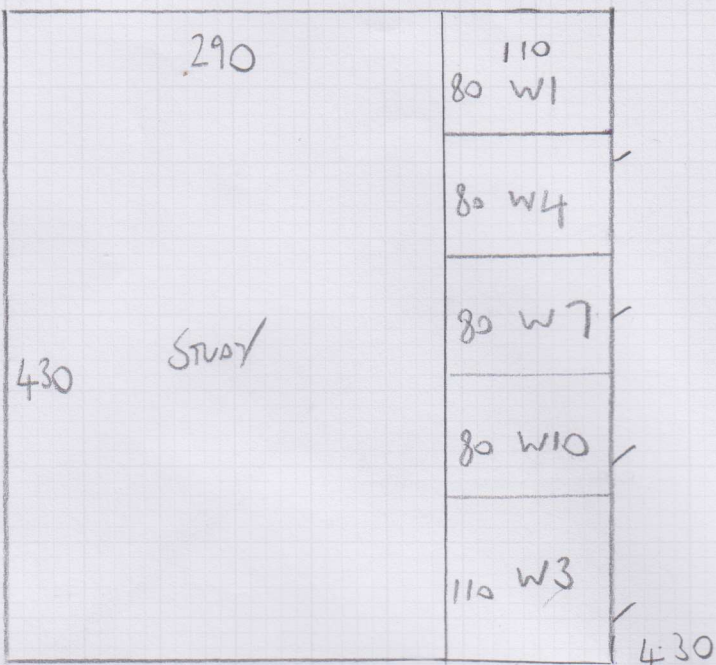


Job No: F26483  
 Name: HALL  
 Address: 28 ELNATHAN MEWS  
 W9 2JE  
 Tel:  
 Sheet: 1 of 2

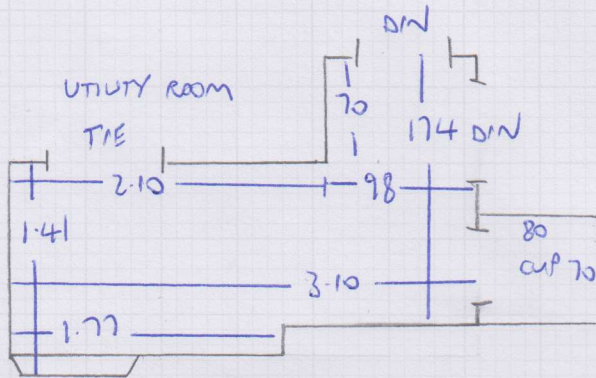


HEATHER TWIST  
 (HEA-221)  
 SANDPIPER

$$\begin{array}{r}
 4.30 \\
 3.70 \\
 2.55 \\
 \hline
 10.55 \times 4.00 \\
 = 42.2M^2
 \end{array}$$



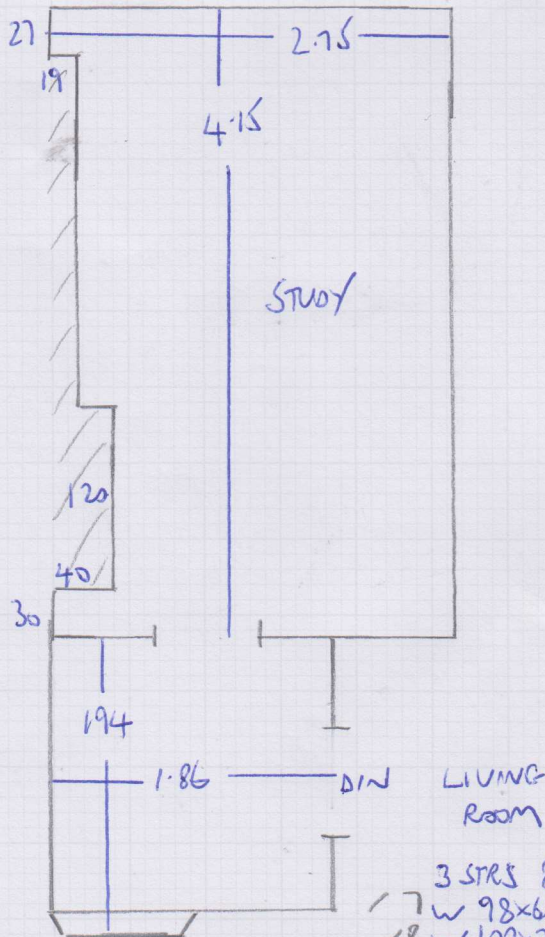
TOP FLOOR



Job No: F26483  
 Name: HALL  
 Address: 28 ELMATHAN MEWS  
 WA 20E  
 Tel:  
 Sheet: 2 OF 2

- 3 STRS .82
- 1 w 98x66
- 2 w 100x73
- 3 w 80x74
- 4 w 96x67
- 5 w 105x76
- 6 w 82x71
- 3 STRS .82

FIRST FLOOR



- 3 STRS 82
- 7 w 98x66
- 8 w 100x73
- 9 w 80x74
- 10 w 96x67
- 11 w 105x76
- 12 w 82x71
- 3 STRS .82
- G/F