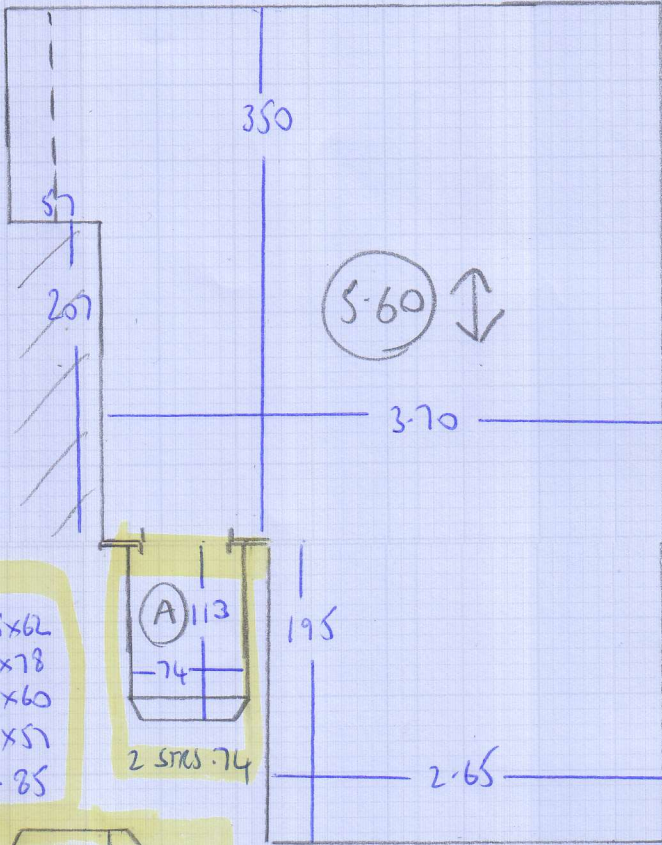


STAIRS + LANDING

mrcarpets

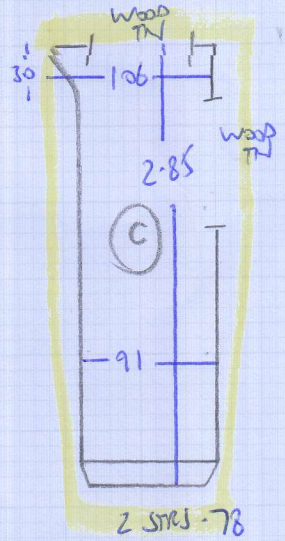
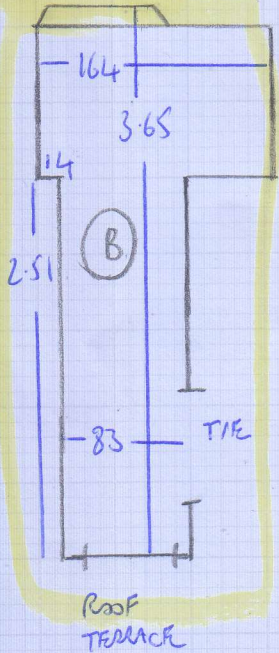
LOFT

Job No: F26574
 Name: DI MATTED
 Address: 9 ALLESTREE ROAD
 SW6 6AD
 Tel:
 Sheet: 1 of 2

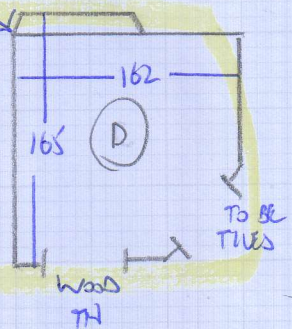


F.I.F

- 4 WBN 95x62
- 3 W 120x78
- 2 W 120x60
- 1 W 92x57
- 7 STAIRS - 85



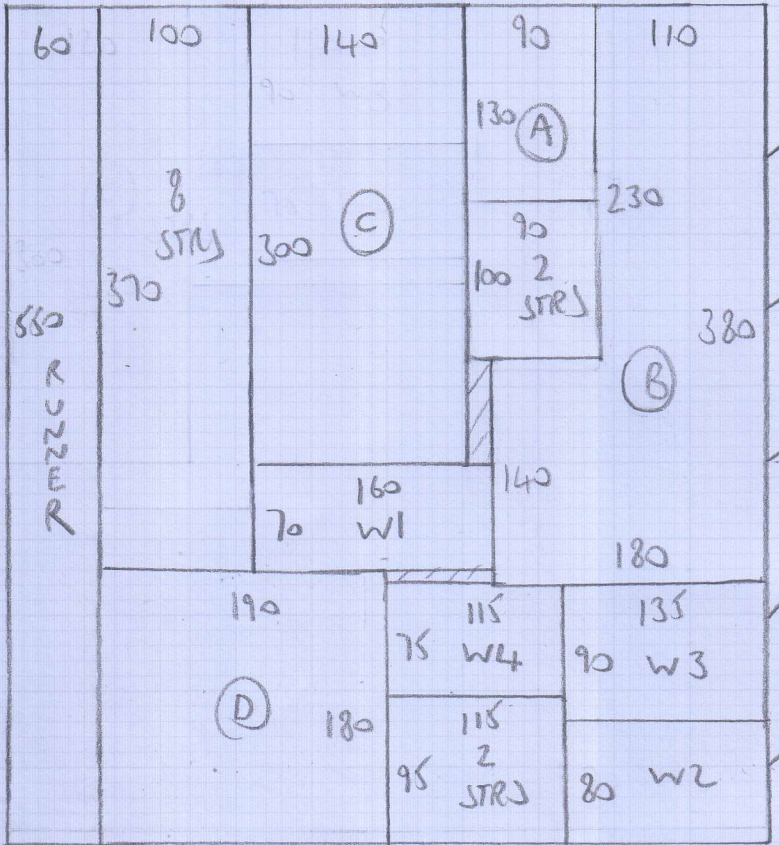
SCOTIA UNDER NOSE NEEDS REMOVAL



- RUNNER**
- RISER 76x18
 - 10 STAIRS - 77
 - BN AS STAIR
 - 98x45
 - G-1/F

Job No: F26574
 Name: DI MATTEO
 Address: 9 ANNESTREE ROAD
 SW6 6AD

Tel:
 Sheet: 2 of 2.



$5.50 \times 5.00 = 27.5m^2$