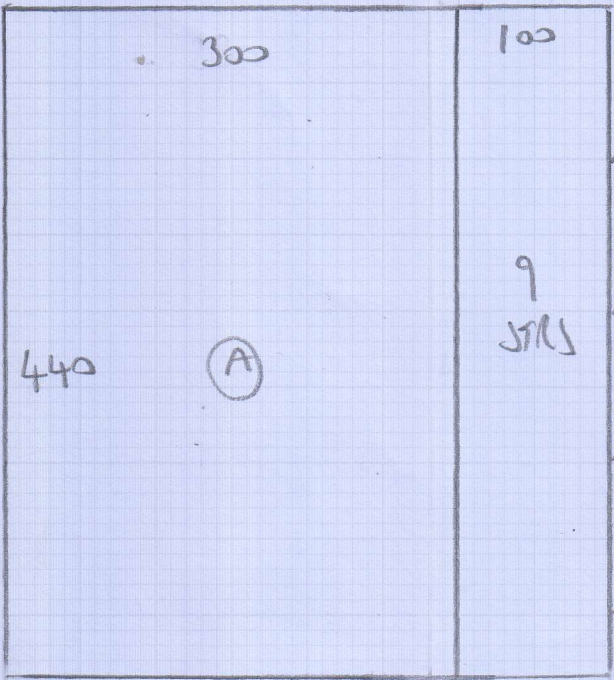


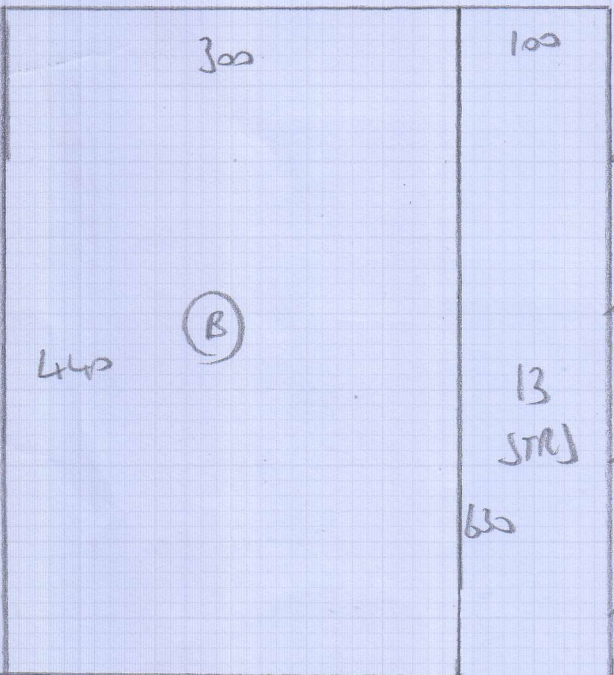
Job No: F26734  
 Name: APPLETON  
 Address: 32 MORE CLOSE  
 W14 9BN

Tel:  
 Sheet: 1 2

1412300  
 (500)  
 211



440



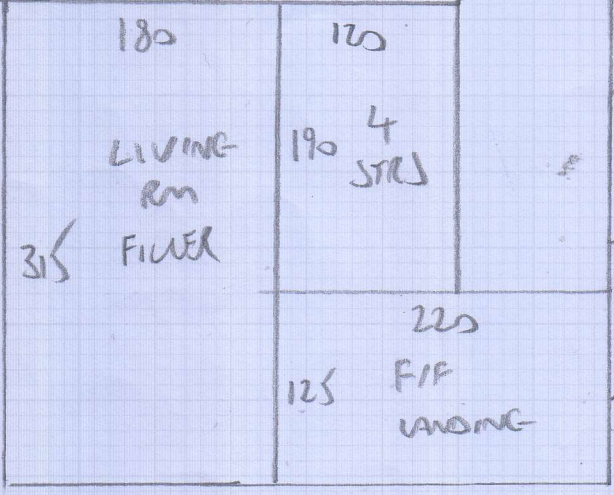
5-45 - LIVING RM  
 5-70 ( 1-30 - TOP LANDING  
 440 } CIP  
 7-55 }

$18.70 \times 4.00 = 74.8m^2$

VINYL  
 1.50 X 4.00 M = 6m<sup>2</sup>  
 SECURA

PORTOBELLO FLAGSTONE  
 2166

+ SCREEN



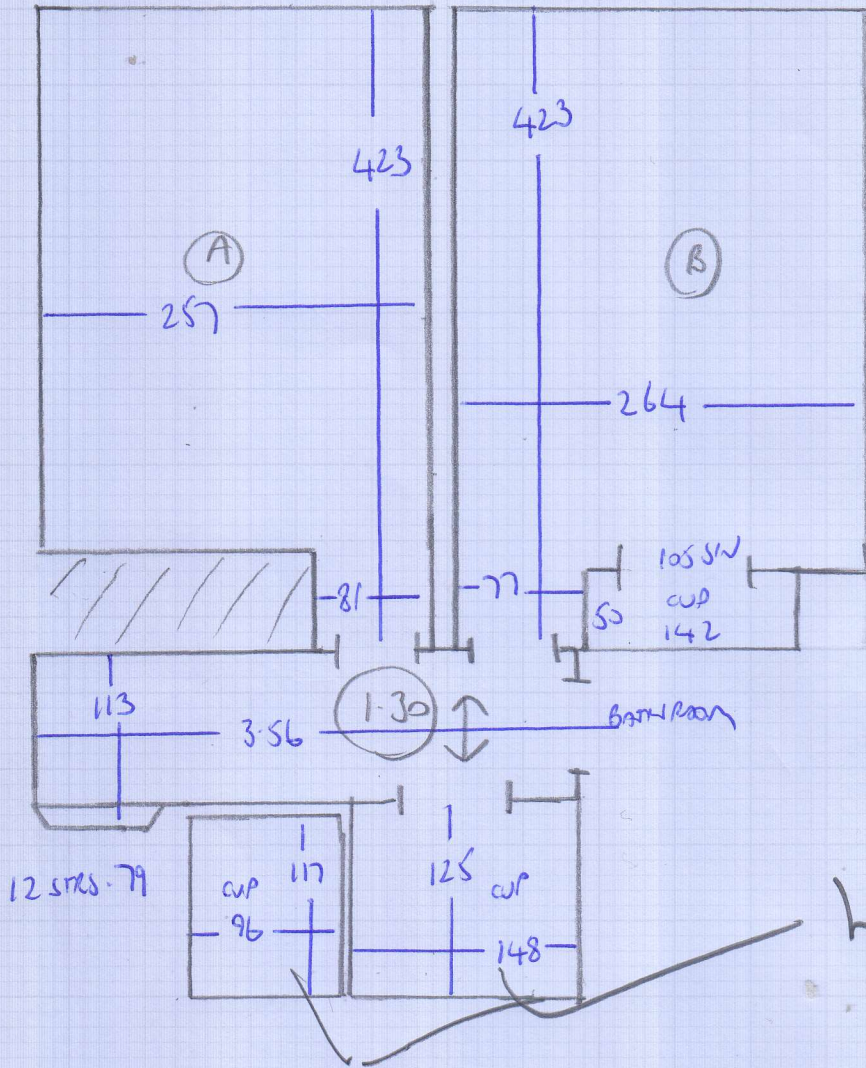
7-55

TOP FLOOR

mrcarpet

Job No: F26754  
 Name: APPLETON  
 Address: 32 MORE CLOSE  
 W14 9BN

Tel:  
 Sheet: 22



FIRST FLOOR

\* (1-19 x 0.78)

GAS PIPE  
 ACROSS STAIR?

FIT  
 BEST  
 POSS 12 STRS - 79

