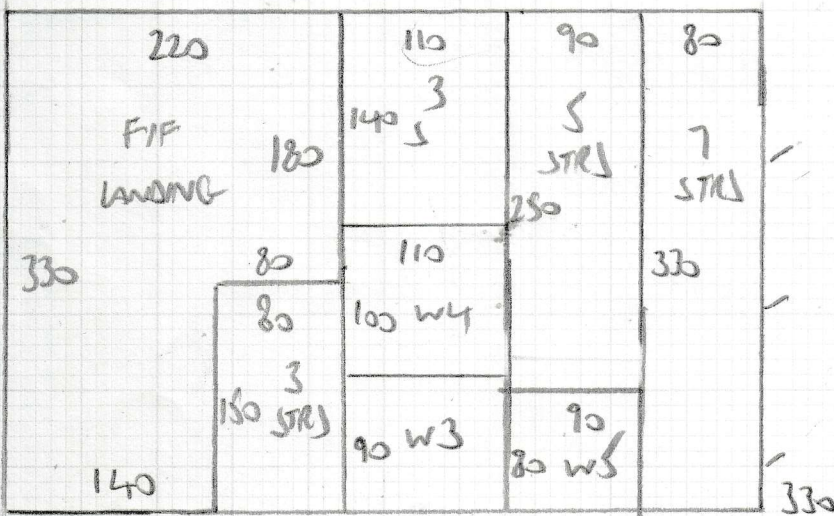
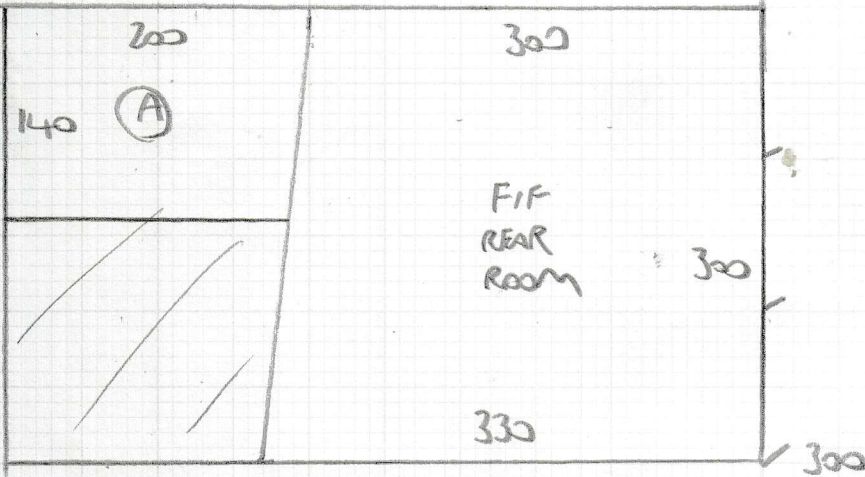
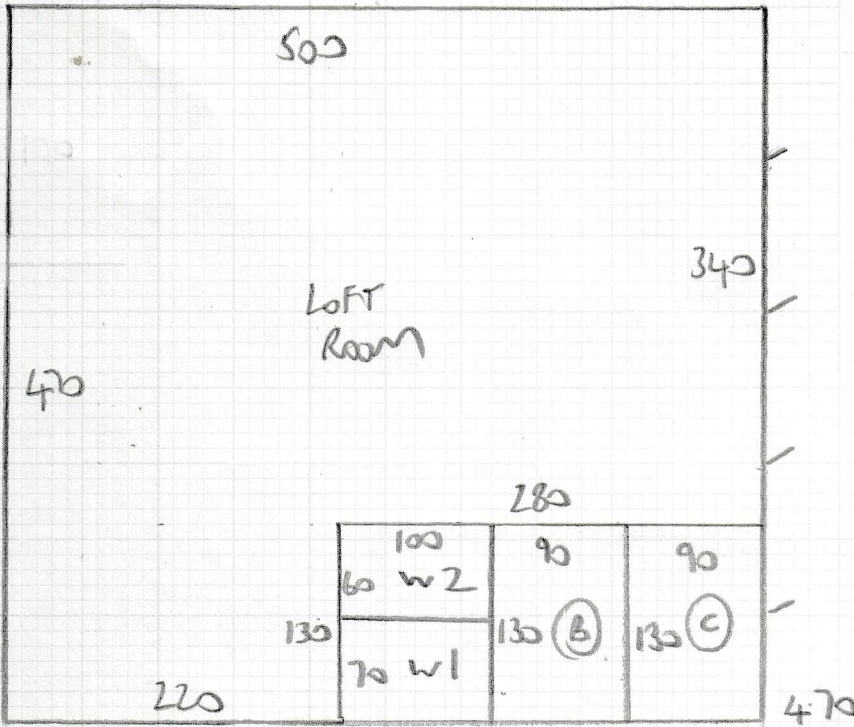


Job No: F26740
 Name: DAVIDSON
 Address: 1 SHELLWOOD ROAD
 SW11 5BJ
 Tel: _____
 Sheet: _____ of _____



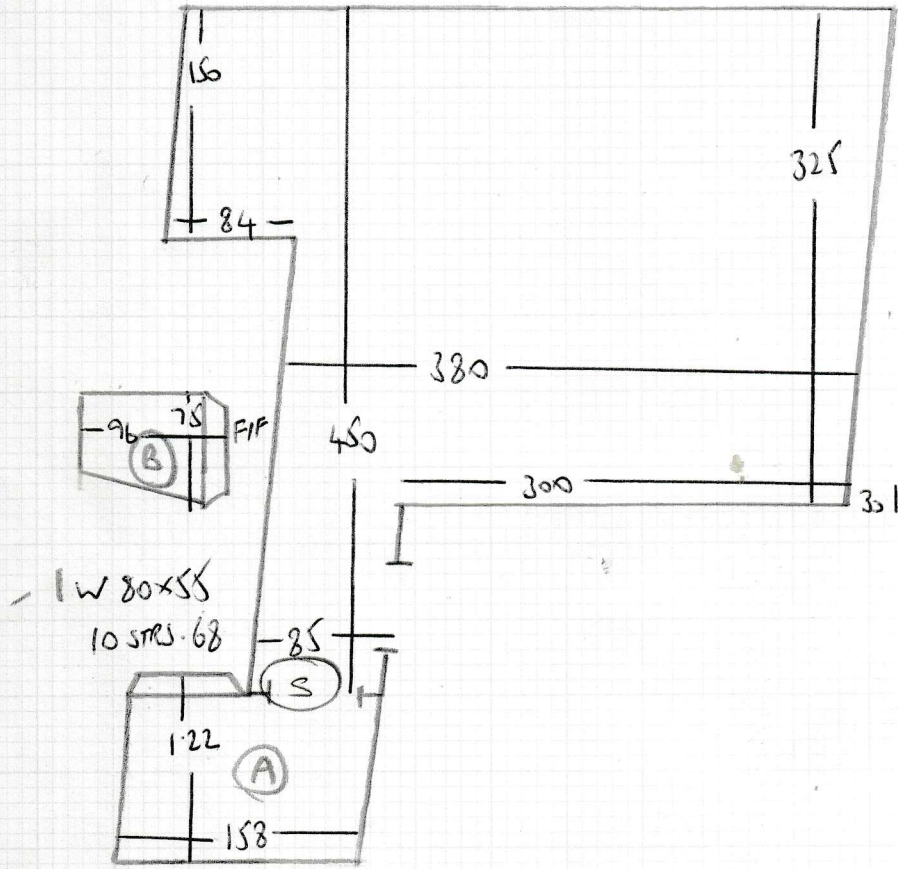
6.40 - GROUND FLOOR
 3.55 - FIF FRONT BED
 4.70 }
 3.00 } CIP
 3.30 }

 20.95 x 5.00
 = 104.75m²

Job No: F26740
Name: DAVIS W
Address: 1 SNEELWOOD ROAD
SW11 8BJ

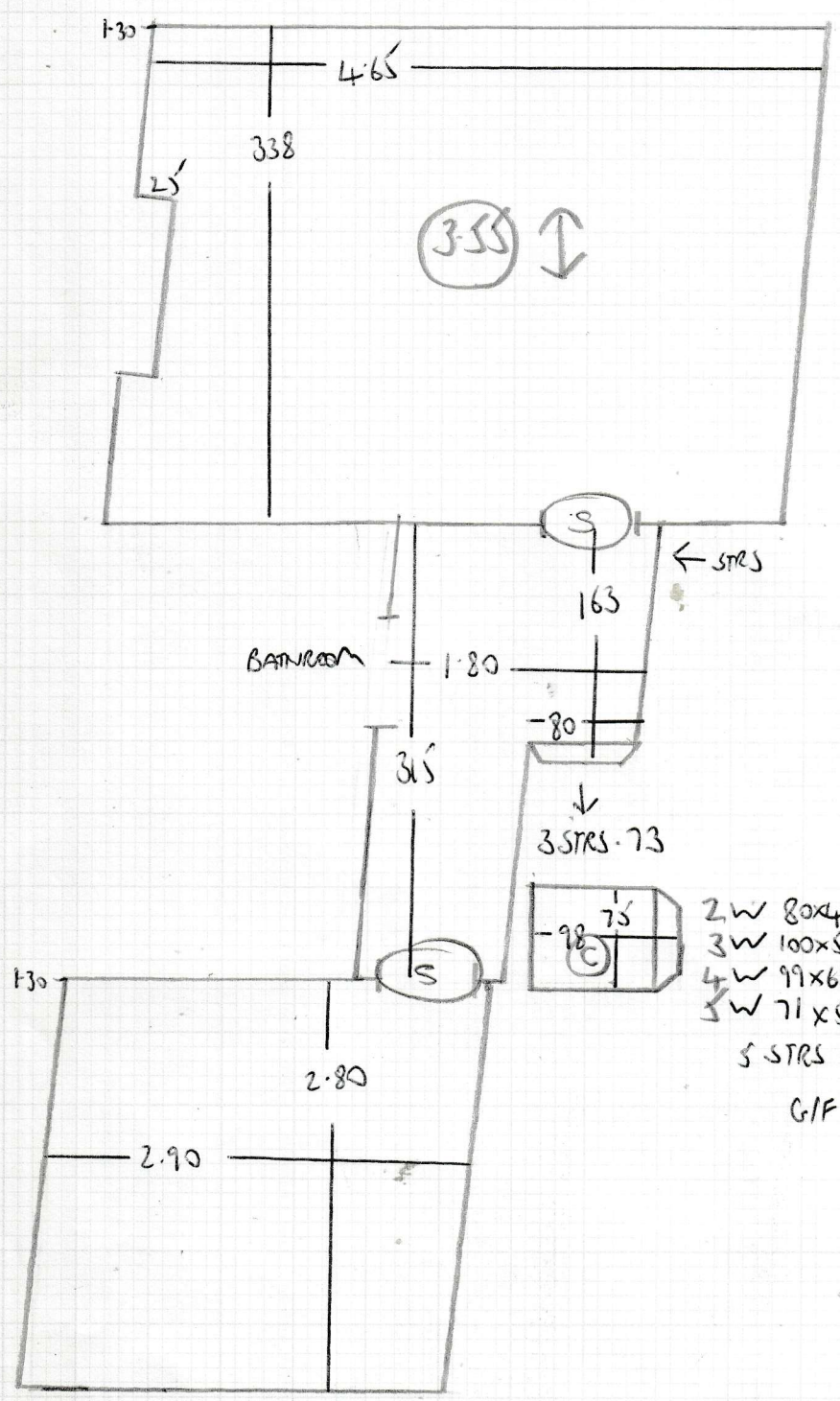
Tel: _____
Sheet: _____ of _____

TOP FLOOR



Job No: F26740
 Name: DAVISON
 Address: 1 SHELDONWOOD ROAD
 SW11 5BJ
 Tel:
 Sheet: of:

FIRST FLOOR



- 2 W 80x49 ✓
- 3 W 100x52 ✓
- 4 W 99x64 ✓
- 5 W 71x50 ✓
- 5 STPS - 73
- G/F

