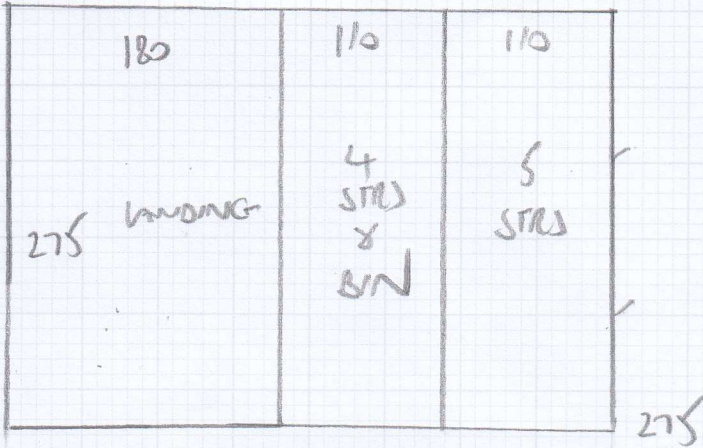


COIR LOWER LANDING  
& STAIRS



Job No: F26714  
Name: NASH  
Address: FIRST Floor FW  
25 CRABTREE LANE SW66UP  
Tel:  
Sheet: 1 of 3

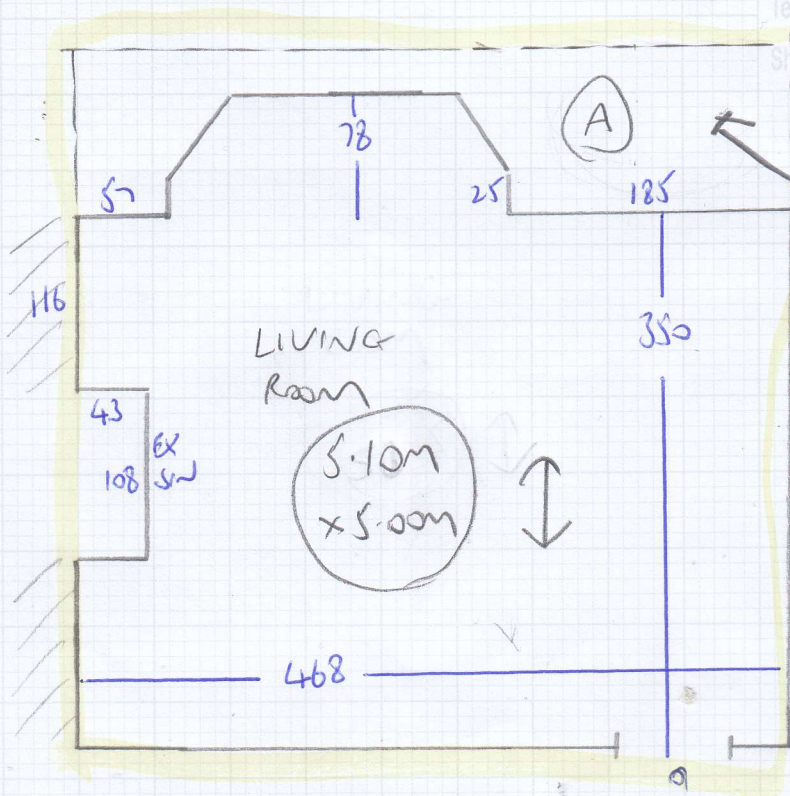
COIR Herring Bone  
NATURAL

2-75 X 4

Job No: F26714  
Name: NASH  
Address: FIRST FLOOR FLAT  
25 CRABTREE LANE SW6 6LP

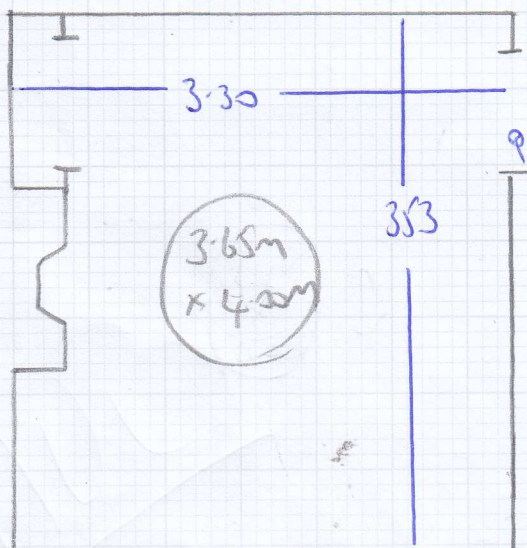
Tel:  
Sheet: 2 of 3

FIRST FLOOR



TO  
LANDING  
CUT OUT SITE  
TIGHT

MAYFAIR  
VIEW  
5-10 X 5



Job No: F26714

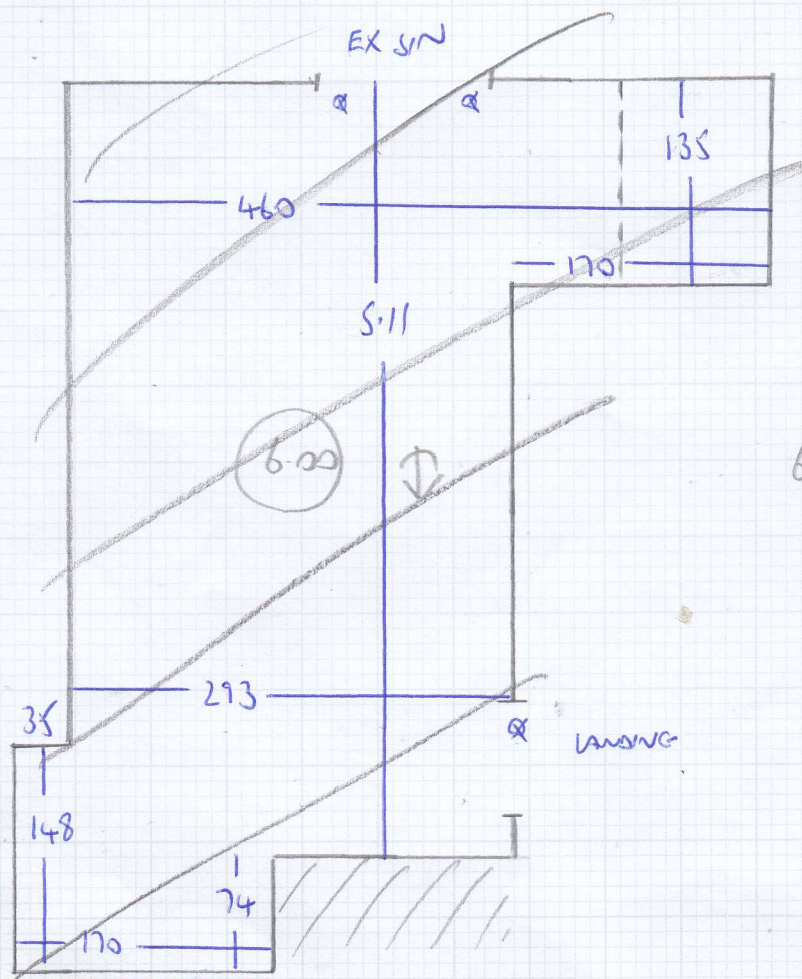
Name: NASH

Address: FIRST FLOOR FLAT  
25 CHASTREE LANE SW6 6LP

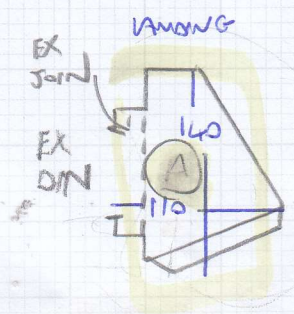
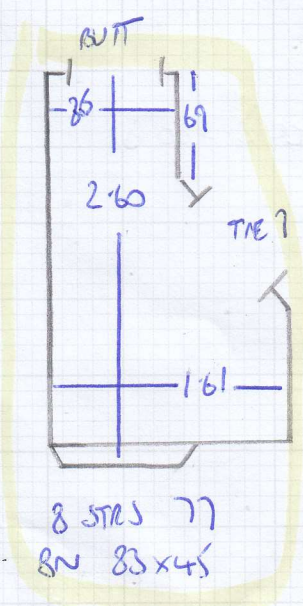
Tel:

Sheet: 3 of 3

TOP FLOOR



600 x 500  
= 30m<sup>2</sup>



FROM WASTE  
LIVING ROOM

2.75 x 4  
COIL