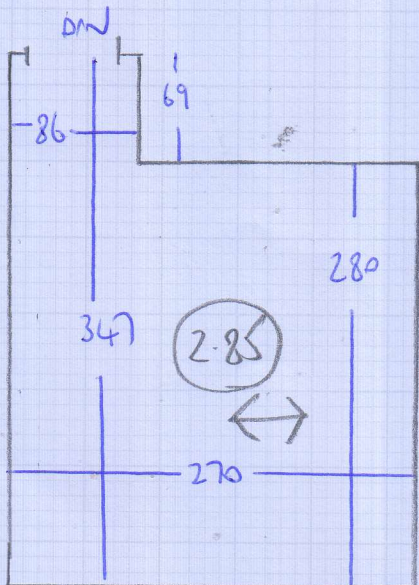
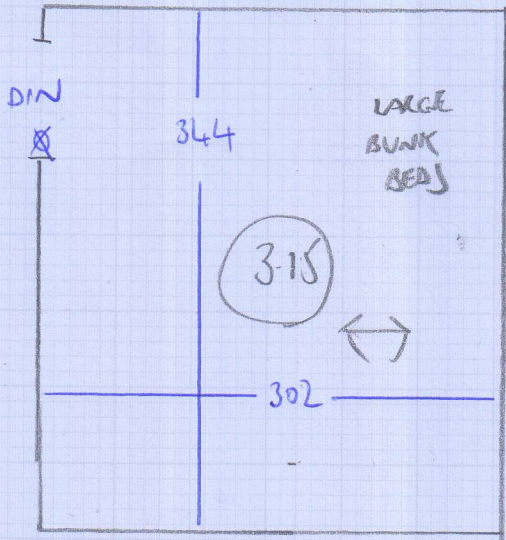
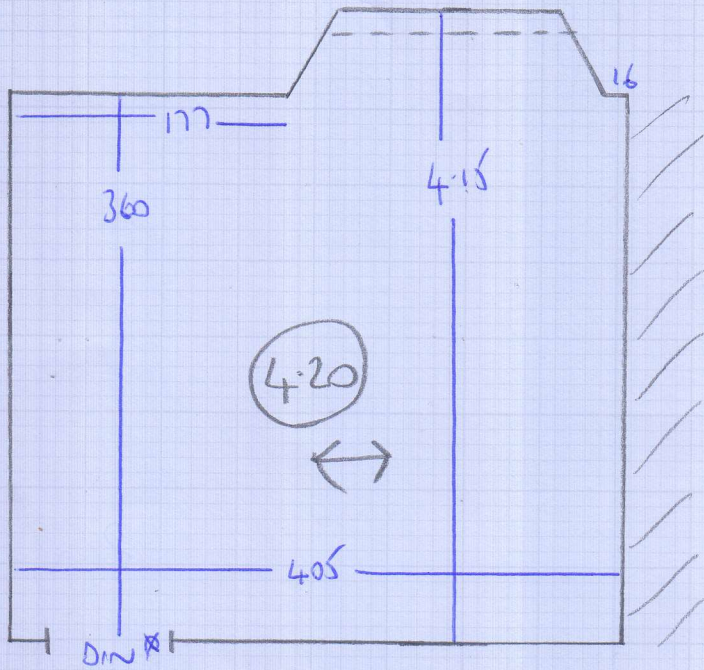


Job No: F26831
Name: CHIAPPINI
Address: 24 PURCELL CRESCENT
SW6 7PB

Tel:
Sheet: 1 of 2

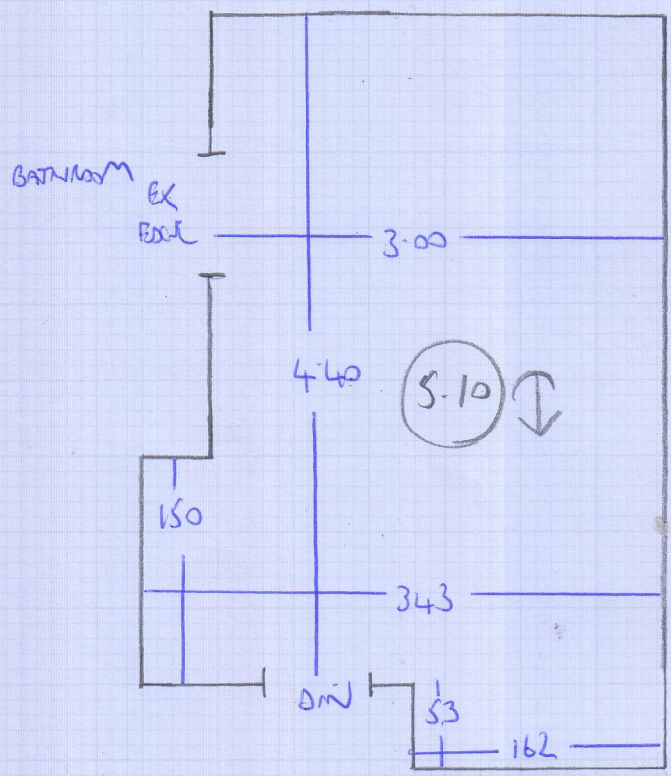
RIVIERA. Purple Light
350. CHAIR DUFF



4.20
3.15
~~2.85~~
5-10

Job No: F26831
Name: CHIAPPINI
Address: 24 PURCELL CRESCENT
SW6 7PB
Tel:
Sheet: 2 2

TOP FLOOR



26m²