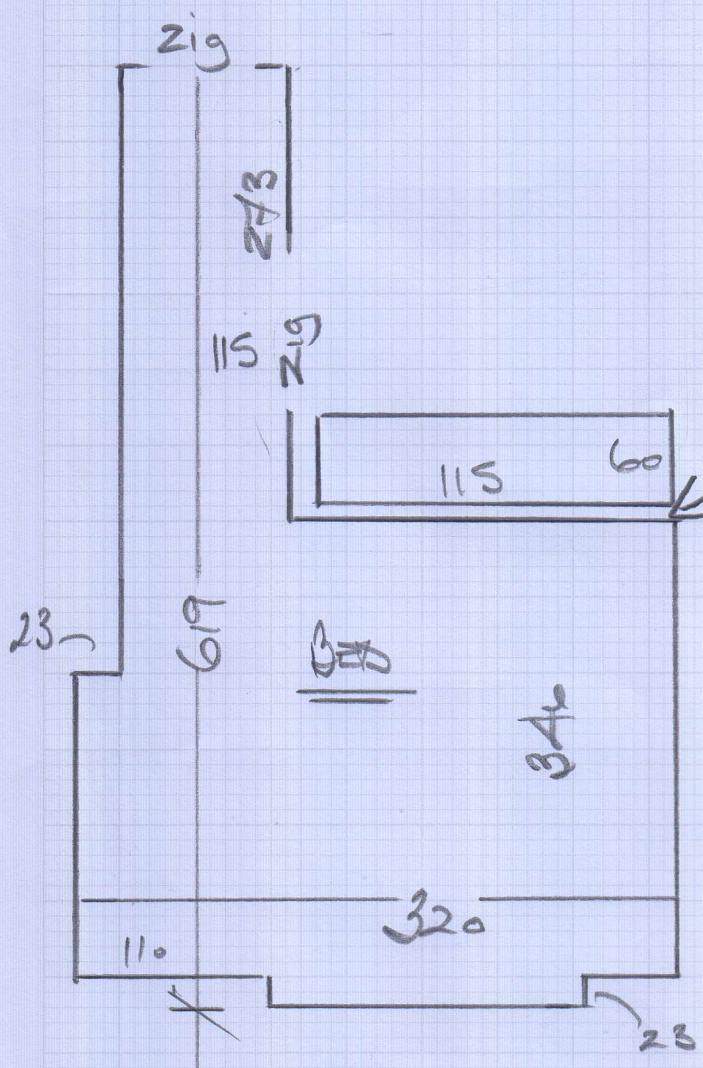


mrcarpet
 Job No: F26845
 Name: SHAI BANI
 Address: FLAT (2)
 Tel: 103 LEXHAM
 Sheet: of: EDNS



W8 6W
 1-1.
 6.35 x 4. 25-40
 340 x 5.17
 WITH SA

RINE loop
 Flo 491

