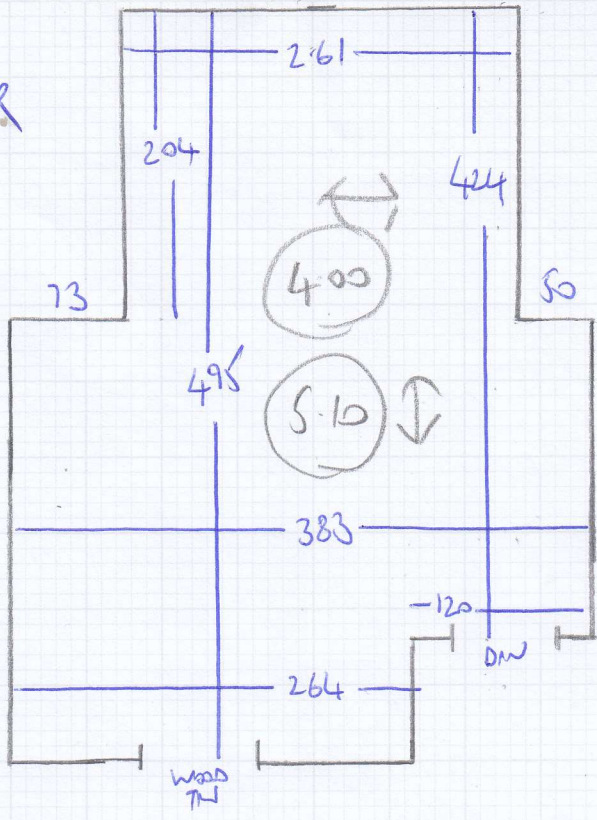


TOP FLOOR



mrcarpets

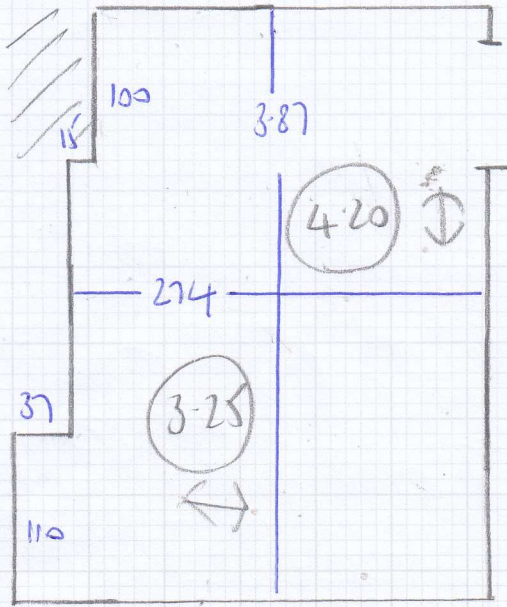
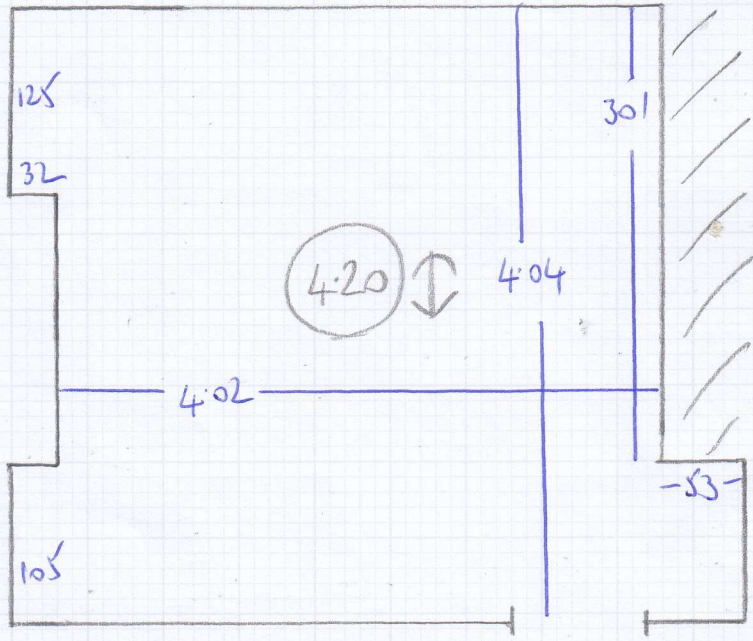
Job No: F26975
 Name: SCHEMERS
 Address: 69 ONESSON ROAD
 WILY 925
 Tel: _____
 Sheet: 1 of 1

BOSTON MA 026

5.10
 4.20
 4.20

 13.50 x 4.00
 = 54m²

FIRST FLOOR



4.00
 4.20
 3.25 — 350

 11.45 x 5.00
 = 57.25m²