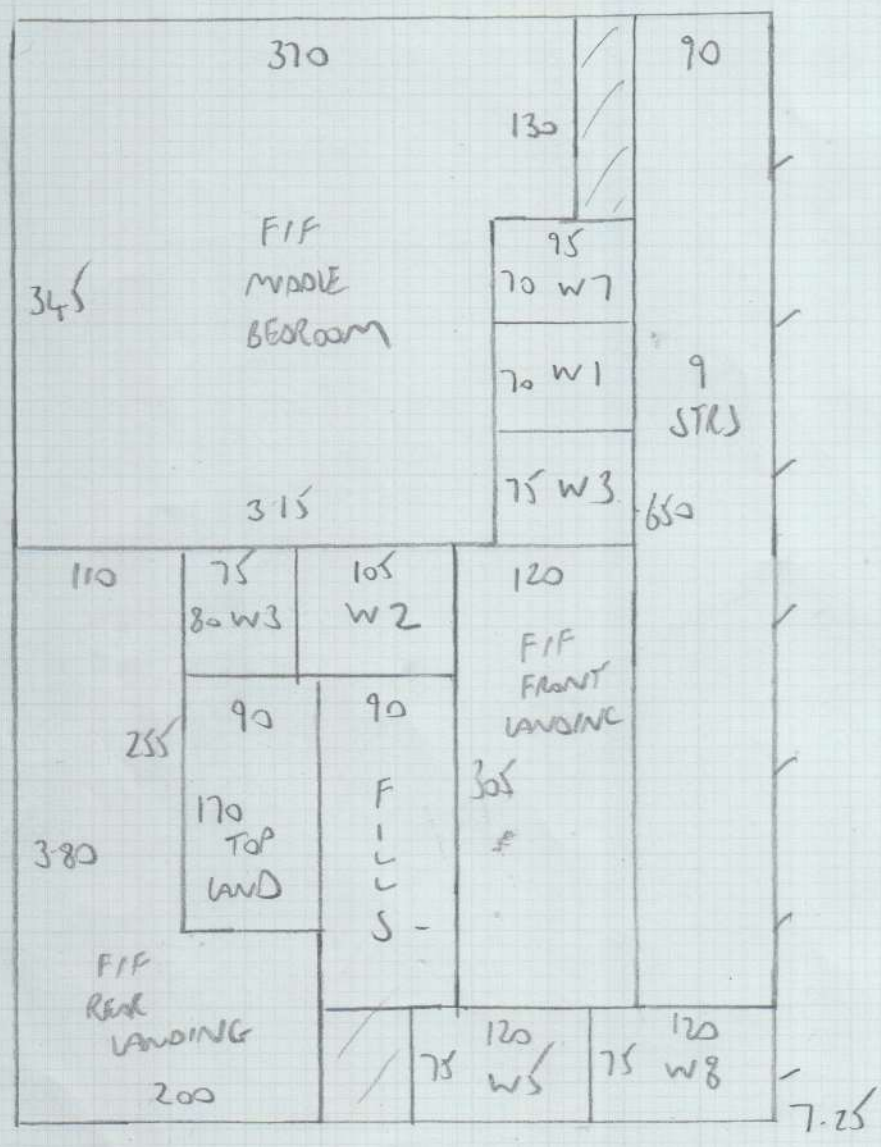
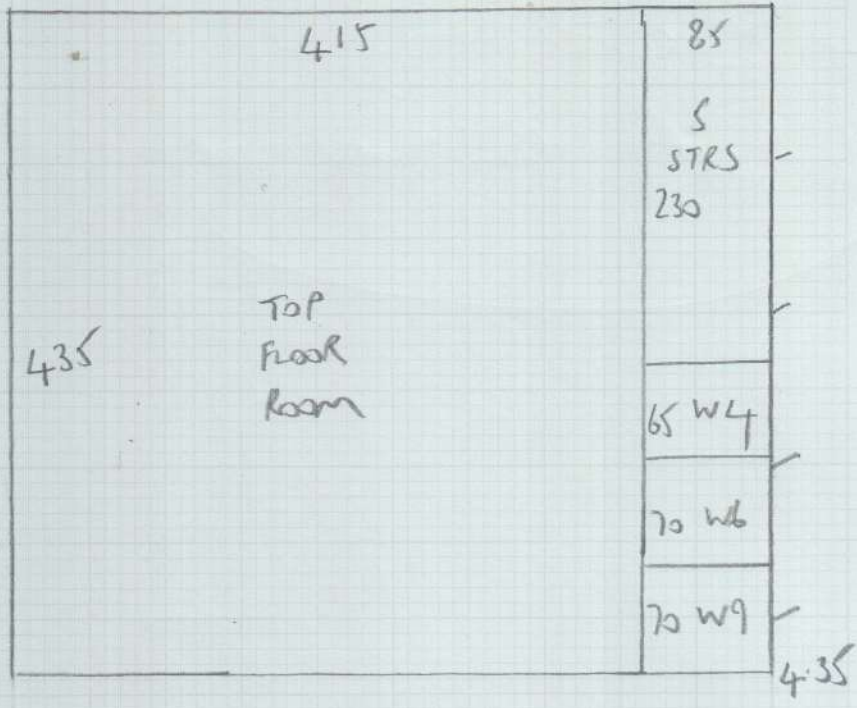


Job No: F27212
 Name: Mossop
 Address: 3A Blonsais Road
 SW6 6AJ
 Tel:
 Sheet: 1 of 3

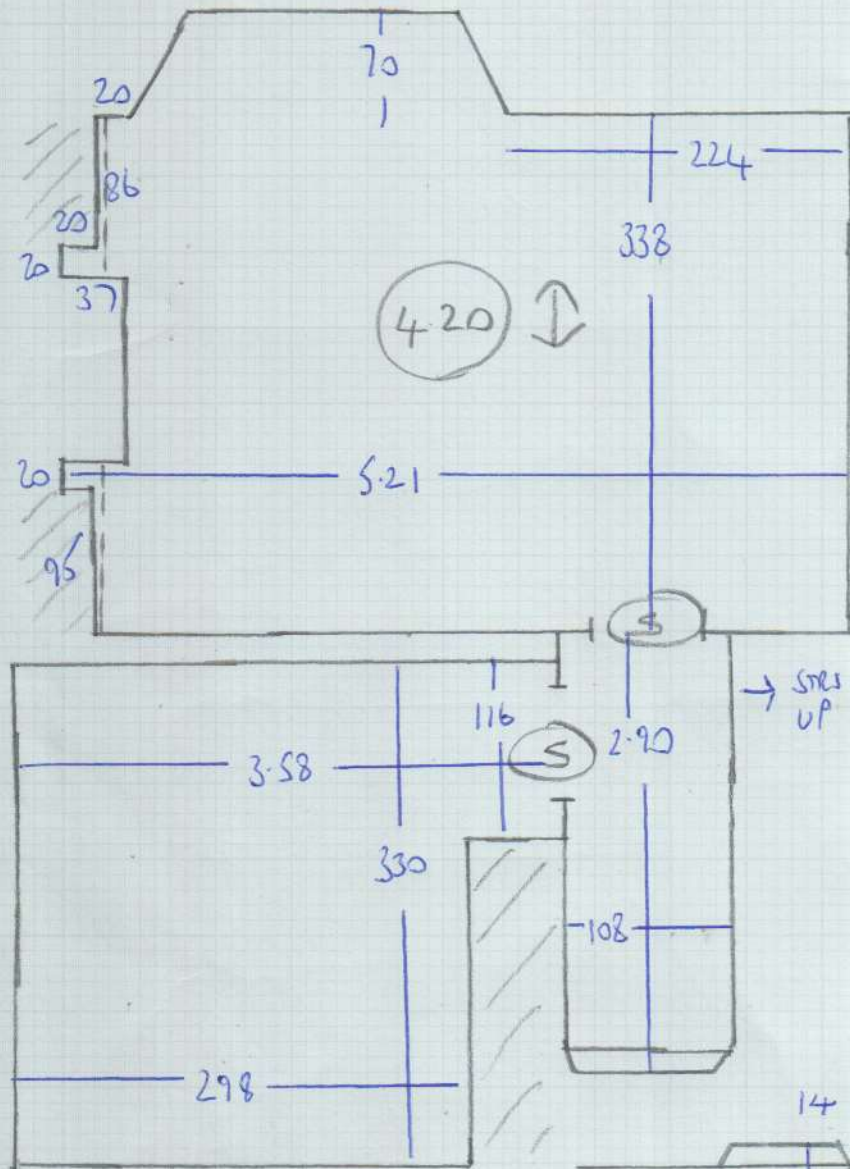


LINTON 50
 LNT 50 - 23S
 4.20 - FIF FRONT BED
 4.35 - } CIP
 7.25 - }
 15.80M x 5.00M
 = 79M²

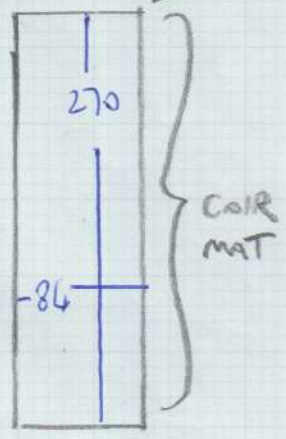
WASH
 LAV 3.25m
 3.05m
 3.08m

FIRST FLOOR

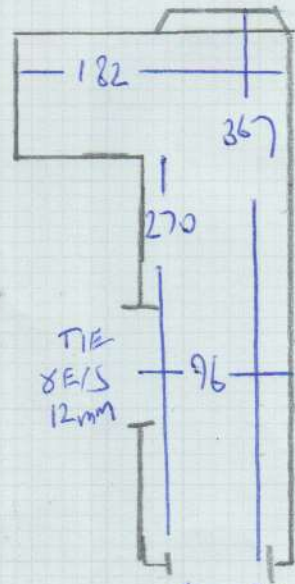
Job No: F27212
Name: mossop
Address: 3A BLONSARD ROAD
SW6 6AJ
Tel:
Sheet: 2 of 3



GREY COIR
2-85 X 1MTR
F10



14 STRS .82

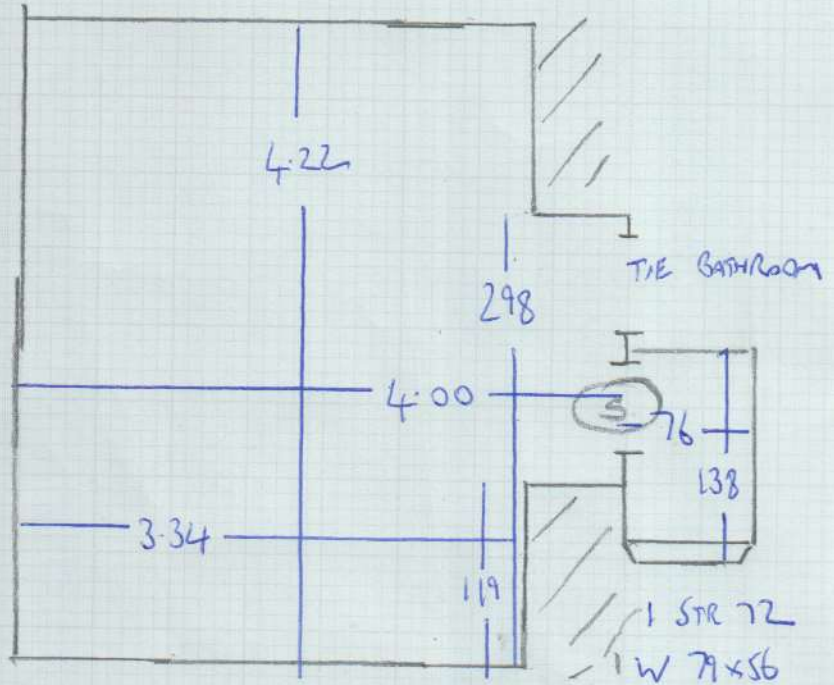


6mm END
TO KITCHEN
& TILE

Job No: F27212
 Name: massop
 Address: 3A BLANSARD ROAD
 SW6 6AJ

Tel:
 Sheet: 3 of 3

TOP FLOOR



- 1 STR 72
- 1 W 79x56
- 2 W 94x66
- 3 W 62x60
- 4 W 74x55
- 5 W 97x65
- 6 W 72x60
- ✓ 3 STRS 72
- 7 W 80x57
- 8 W 96x68
- 9 W 61x60
- 1 STR 64

FIRST FLOOR