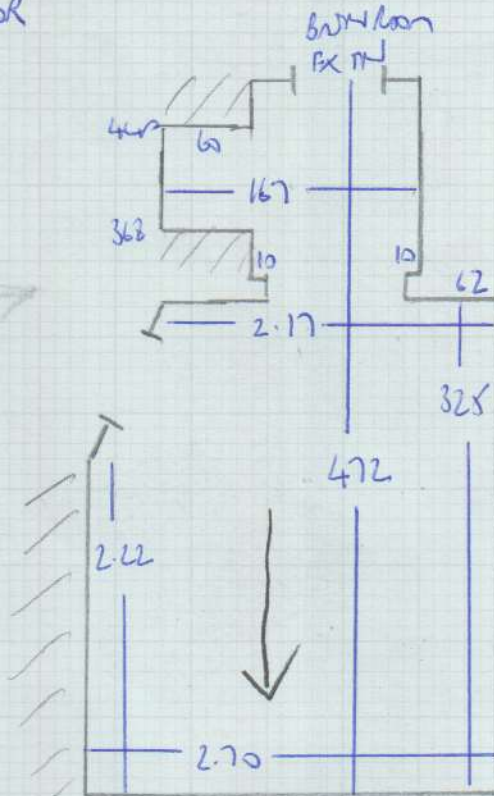


GROUND Floor



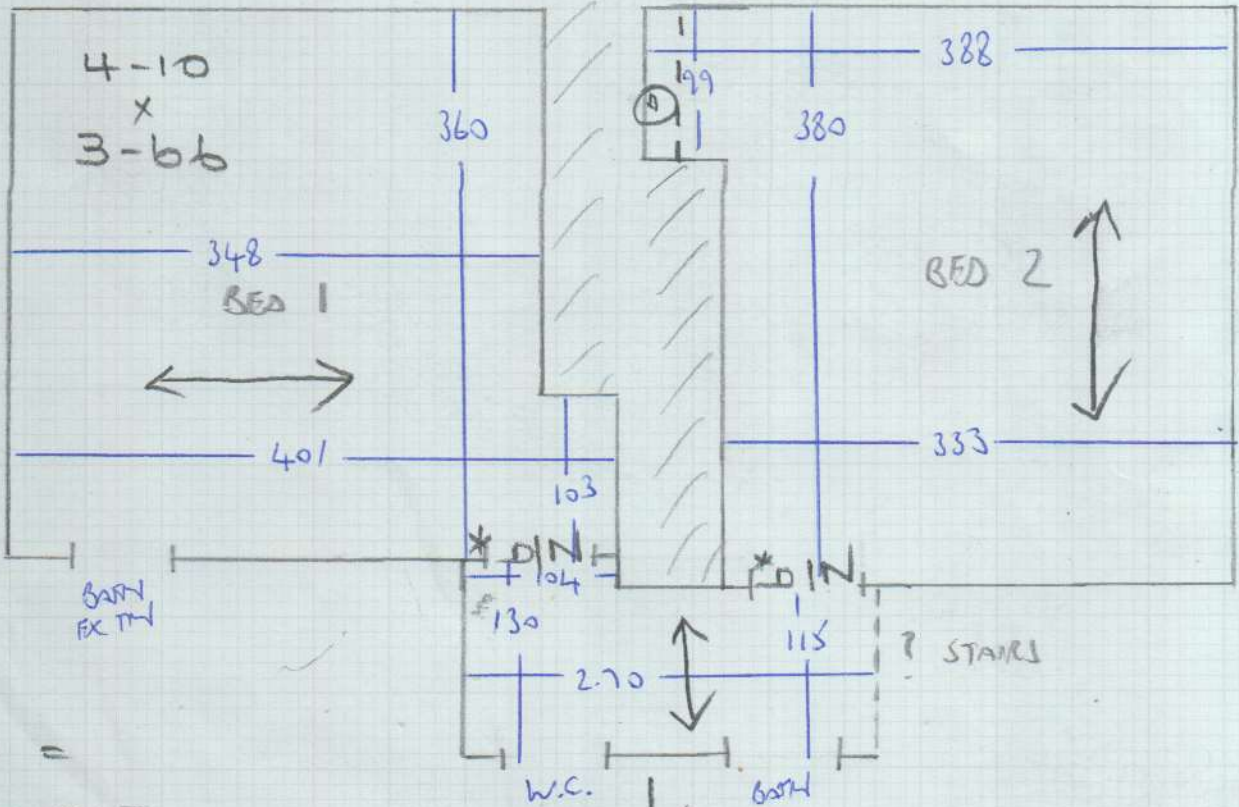
4-85
x
3-66
=
↑ ↓
Pile
Direction

mrcarpets
Job No: F27261
Name: PHILLIPS
Address: 40 ARMY & EVE MEWS
W8 6UP
Tel:
Sheet: of:

Carpet only
Available
3-66 wide

FIRST Floor

ONLY JOIN (A)



* =
DOUBLE
NAPLOCK
DOORBAR

1-40 x 3-66