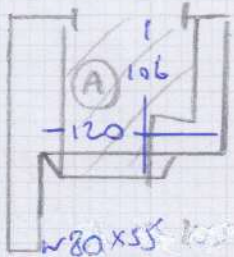
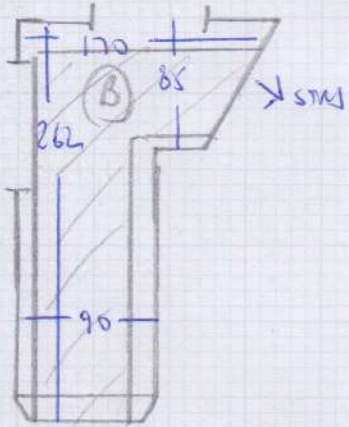


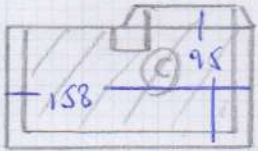
Job No: F27268
 Name: SEADON
 Address: 33 DELORME STREET
 W6 8DS
 Tel: _____
 Sheet: _____ of: _____



- w 80 x 55 1
- w 106 x 59 2
- w 105 x 69 3
- w 78 x 53 4
- 7 STRS 78 5
- w 80 x 55 6
- w 105 x 60 6



3 STRS (74)



11 STRS 78

GIF

