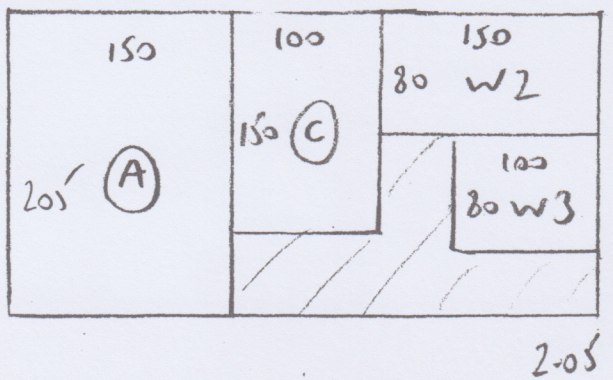
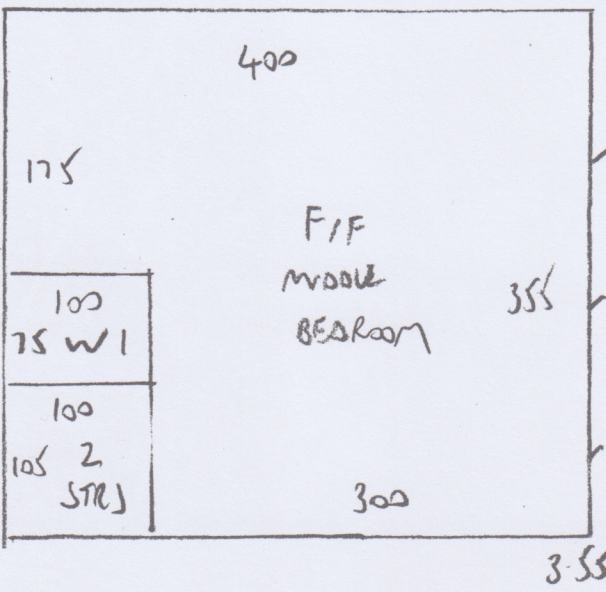
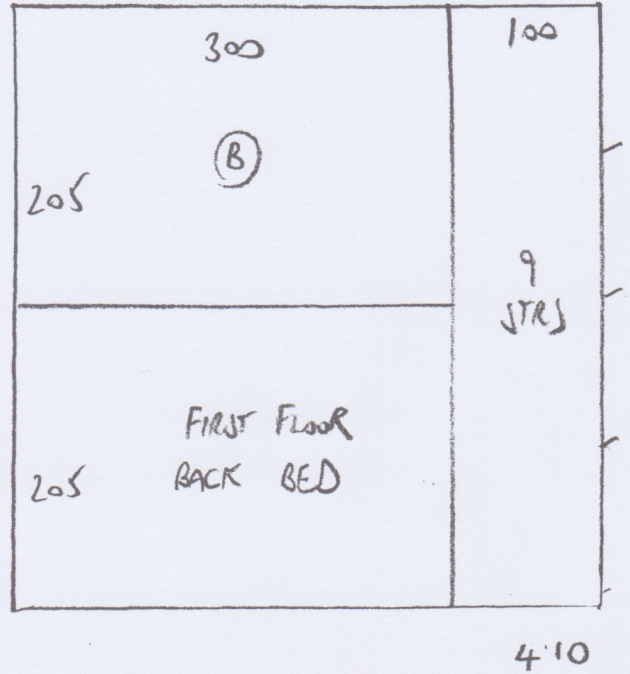


F27572  
 ADDERLEY  
 16 PARKVILLE ROAD  
 SW6 7DA

1/4



- 8.55 - LIVING ROOM
- 4.30 - FIF FRONT BED
- 3.40 - TOP BED
- 7.50
- 3.55
- 4.10
- 2.05

} CIP

33.45M x 4.00M

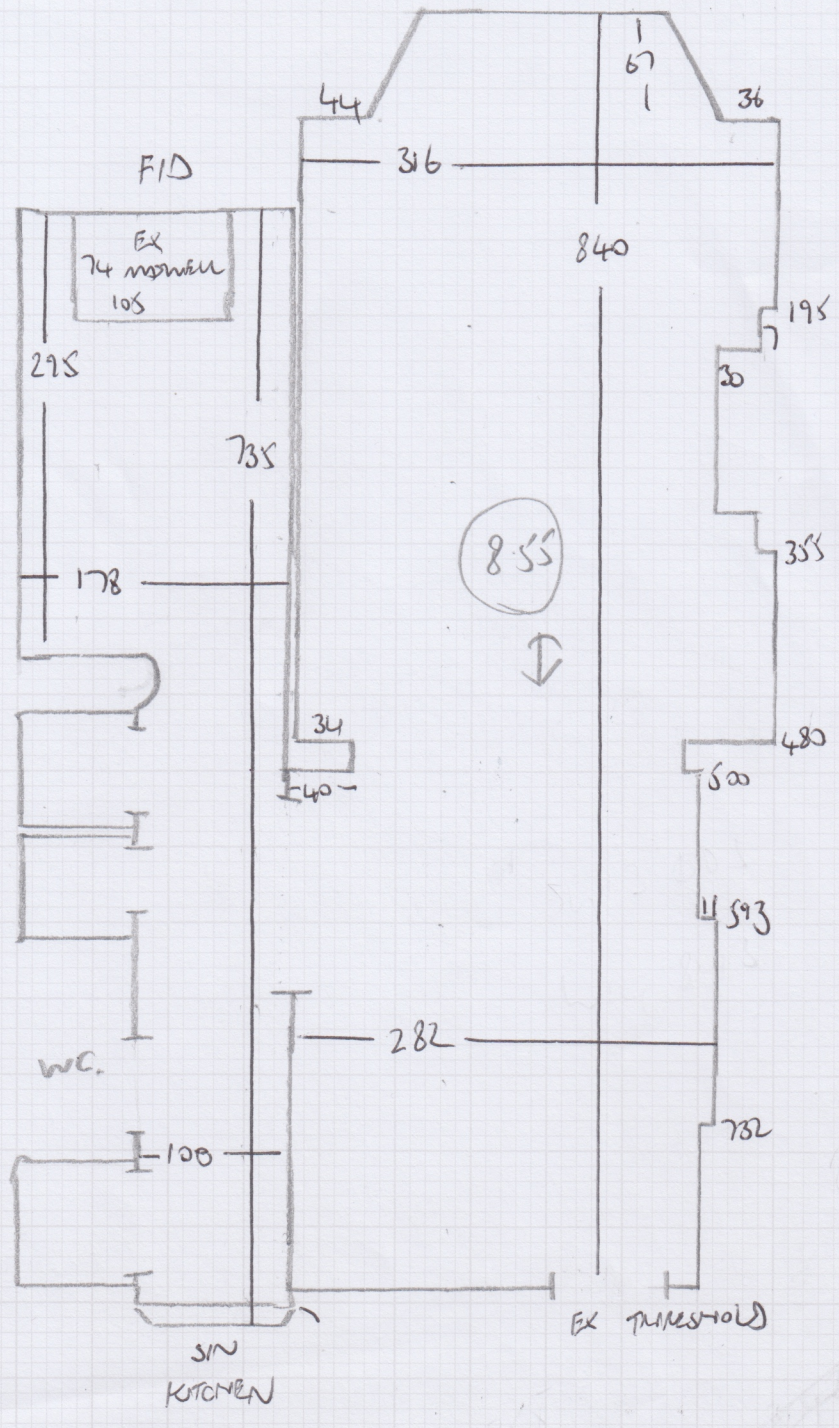
Job No: ~~F2747~~ F27572

Name: Adderley

Address: 16 PARKVILLE ROAD  
SW6 7DA

Tel:  
Sheet: 2/4

GROUND FLOOR



FIRST FLOOR

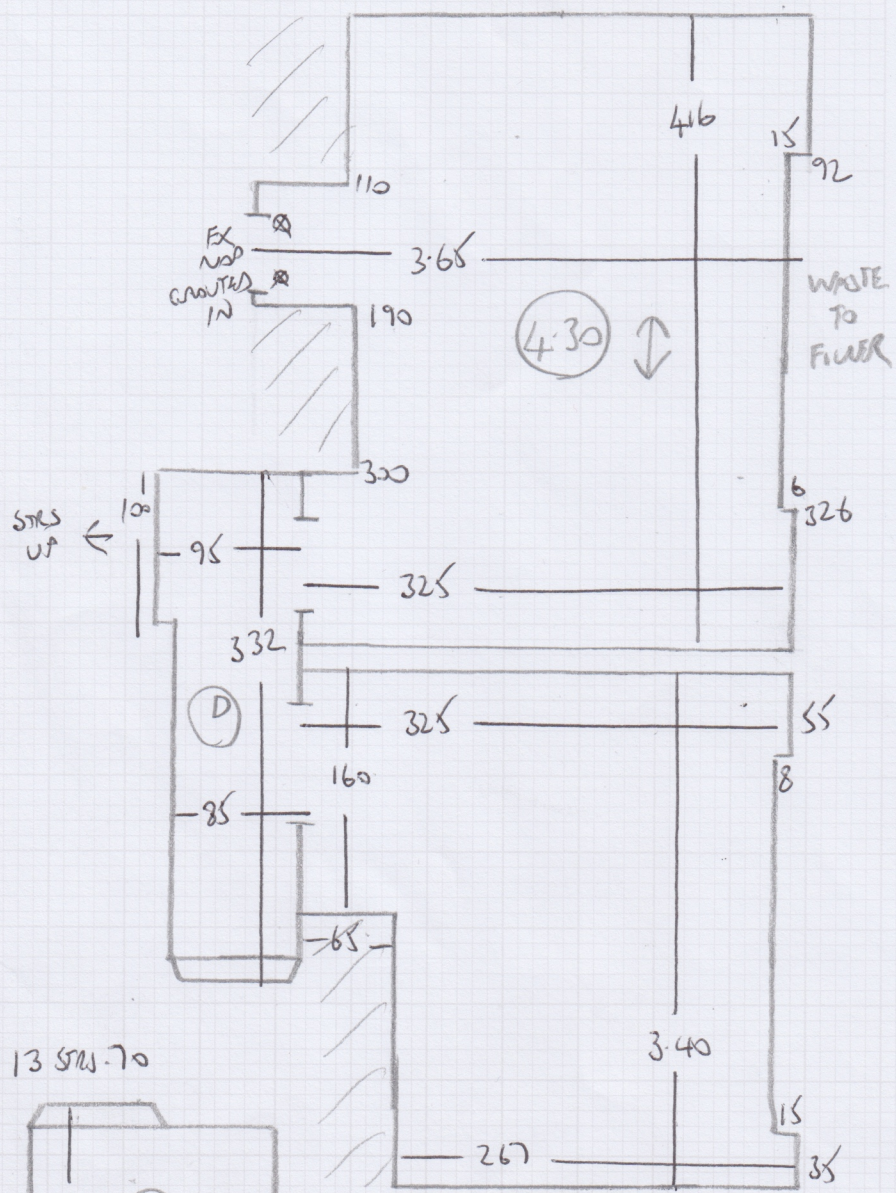
Job No: ~~F2747~~ F27572

Name: Addeley

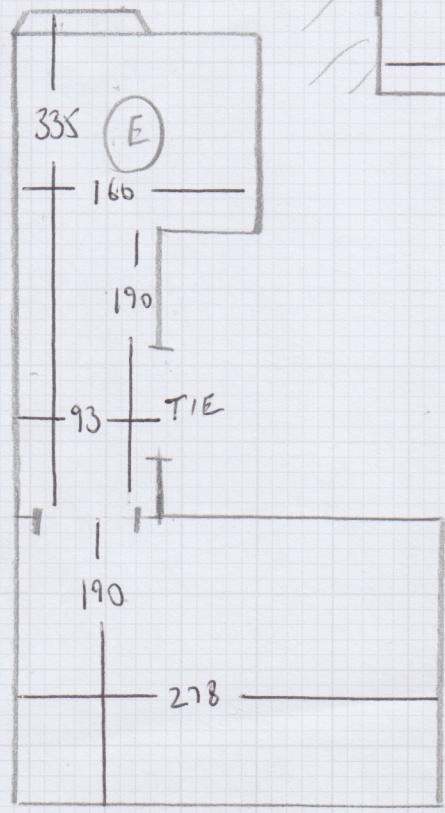
Address: 16 PARKVILLE ROAD  
SW6 7SA

Tel:

Sheet: 3/4



13 SW-70





Job No: ~~F27571~~ F27572

Name: Adderley

Address: 16 PALMUMBE ROAD

SW6 7DA

Tel:

Sheet:

4/4

TOP FLOOR

