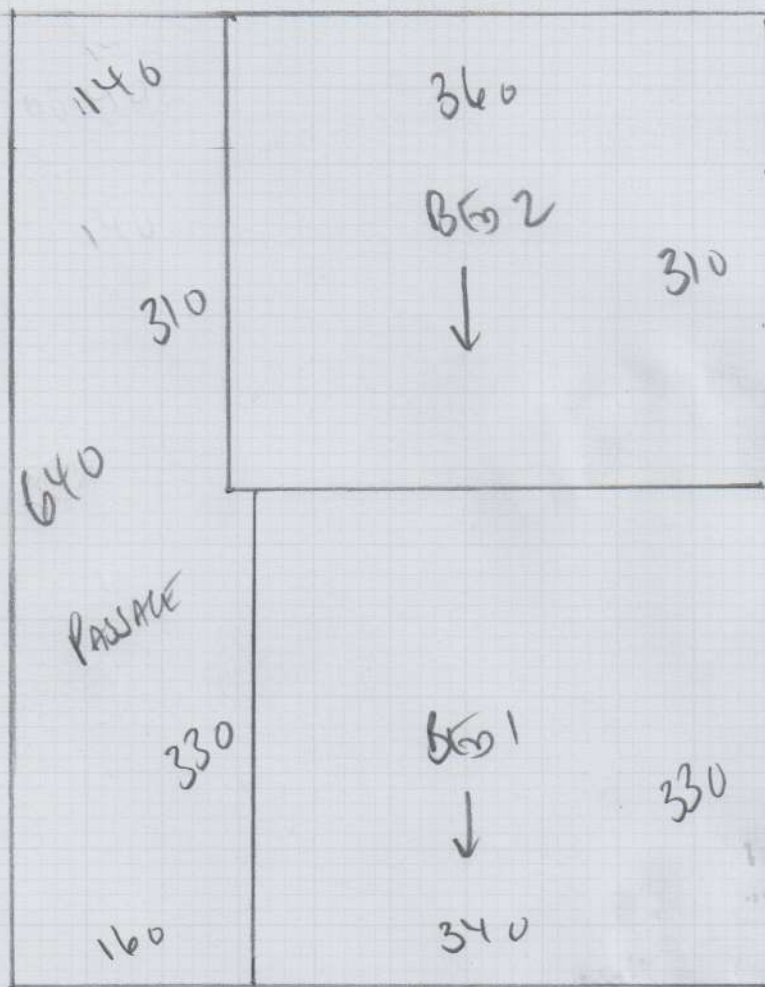


Job No: P292A0  
 Name: MACQUITTY  
 Address: FARM LODGE  
 River CANONS  
 Tel: SW6 6WZ  
 Sheet: of:



Cerswood Lib  
 Central EASTINGTON Lib

- 640 Pan 640 x 500
- Liv Room 775 x 500
- MARBLE 685 x 500
- STAIR 240 x 500
- 10525

---

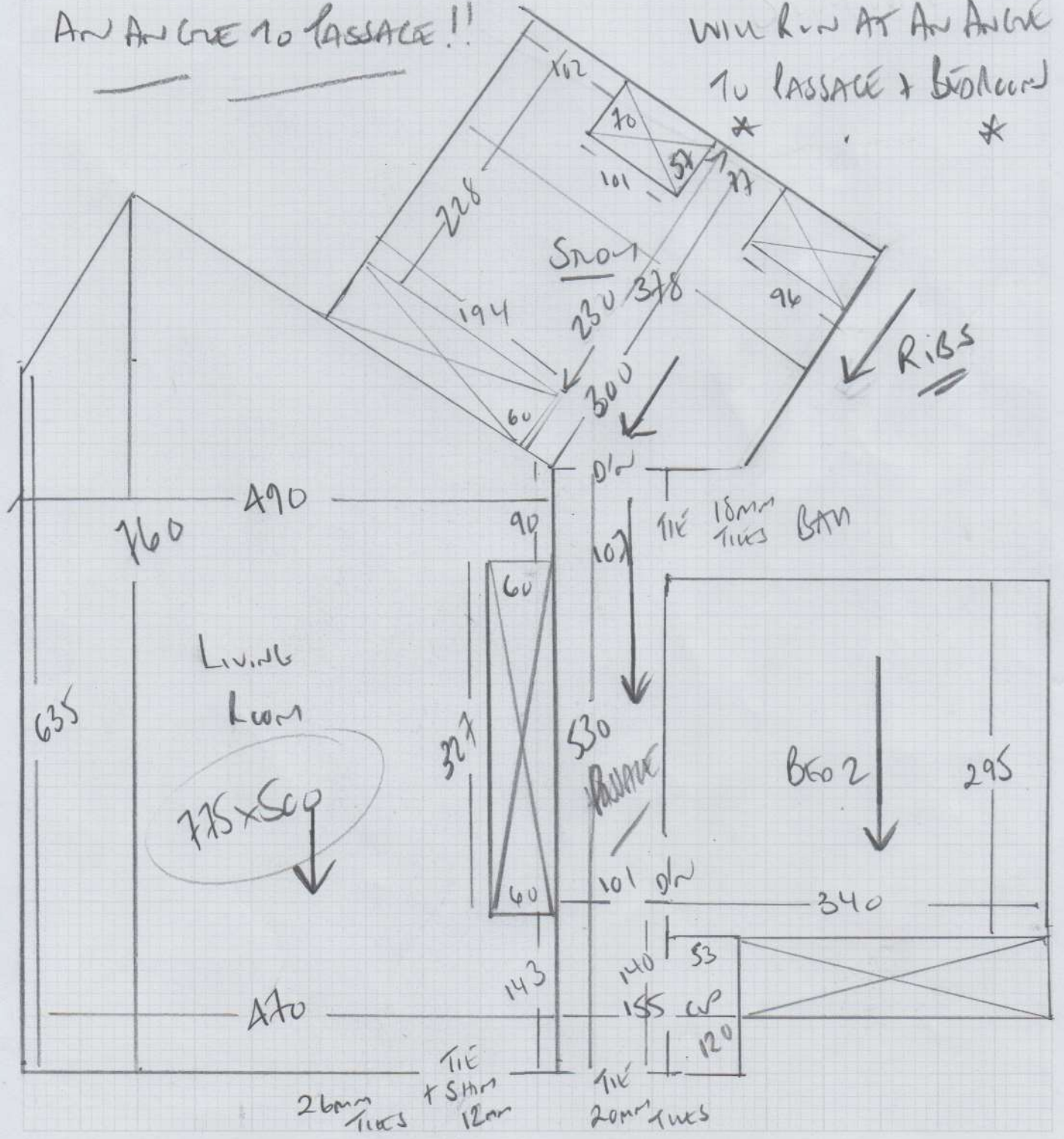
- 25m x 500
- Run hire x 400

10525  
 25m x 500 Run hire  
 10525

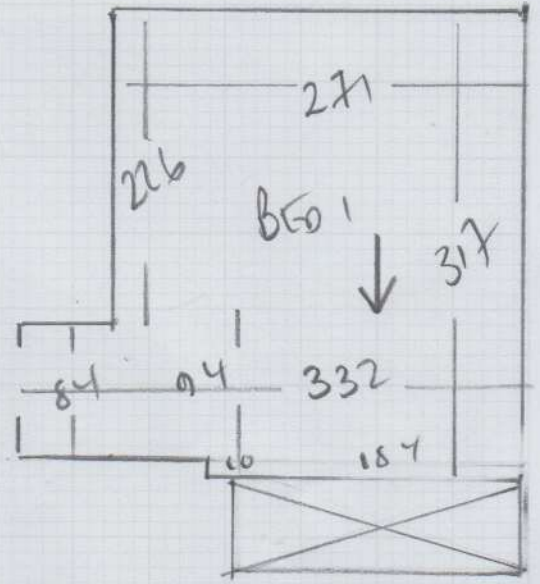
mrcarpet  
 Job No: P297A0  
 Name: MACQUINN  
 Address: 7 Elm Lodge  
 River Gardens  
 Tel: SW6 6W2  
 Sheet: of:

CUSTOMER ADVISED ON SITE  
 THAT RIBS WILL RUN AT  
 AN ANGLE TO PASSAGE!!

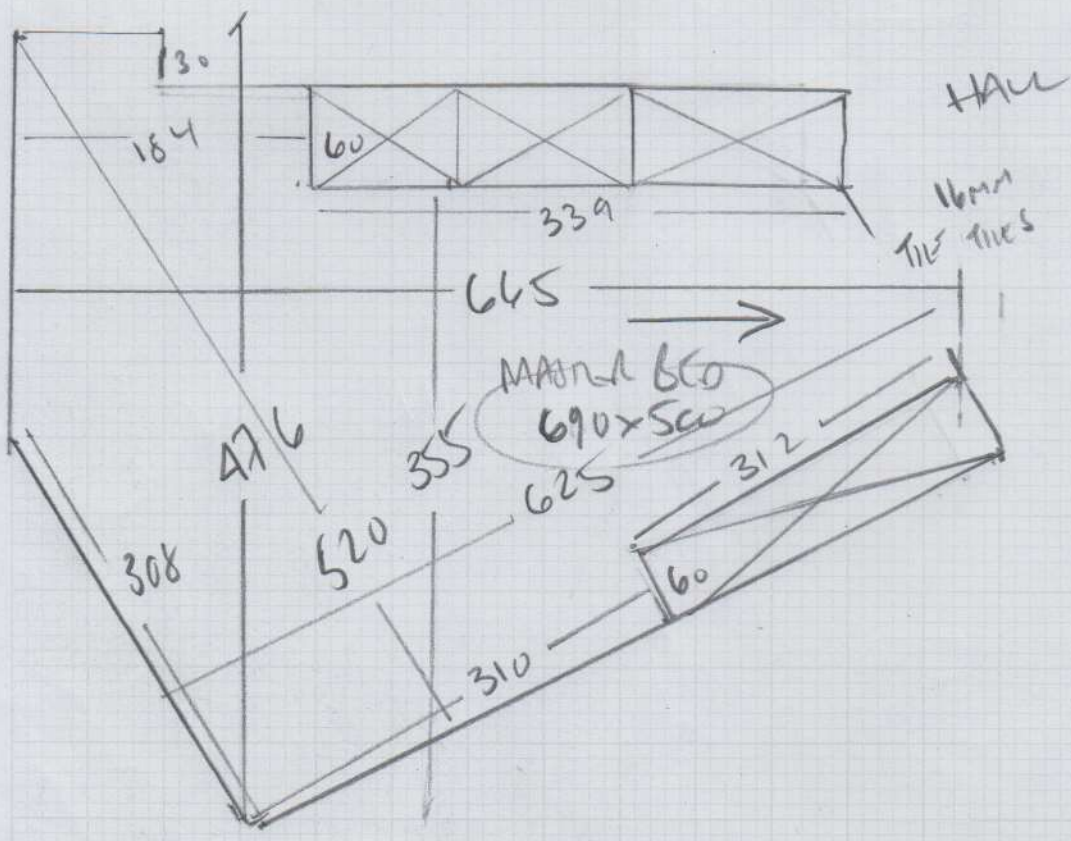
\* ATTENTION!! \*  
 RISE DIRECTION OF STAIR  
 WILL RUN AT AN ANGLE  
 TO PASSAGE + BEDROOM \*  
 \*



mrcarpet  
 Job No: P297AD  
 Name: MALQUIN  
 Address: 7 Elm Lodge  
 River Gardens  
 SW6 6NZ  
 Tel:  
 Sheet: of



Balcony



P29740

1st call of 3

Notes for Measure

Estimator: Colin

Mrs Miranda Macquitty, 7 Elm Lodge

Date of Measure: Tue, 29 Sep 20

At: 8.30am-9.00am

Site Address:

7 Elm Lodge  
River Gardens

LONDON

SW6 6NZ

Customer Address:

7 Elm Lodge  
River Gardens  
LONDON

SW6 6NZ

CONTACT: As customer details

Mobile	Home	Office
07966-377726	02073855606	

Email: miranda.macquitty@btinternet.com

Areas to be done and Description of Measure

Living Room 3 Bedrooms Study & Hall (Whole Flat exc Kitchen & Bath)

Instructions and Estimators comments

Cotswold Rib Eastington Rib ( Take samples of 8mm & 10mm PU Foam U/lay)

X ✓ SELECTED ON SITE

**Must Read!** Customer & or Plumber on site

Office Ref: P29740

Mrs Miranda Macquitty, 7 Elm Lodge

Date of Measure Tue, 29 Sep 20

At 8.30am-9.00am

**Floor:** Wood / Concrete / other BUILDERS TO FILL IN POCKETS + PATCHES  
PATCHY! A FEW CRACKS!

**S/edge:** Wood/Concrete/No pin/existing (if existing, allow \_\_\_ sticks to supplement where necessary)

**Sticking Req'd:** Yes/No Type: Fastset/Other

**Underlay:** Re-use Existing / New required

**Type:** 42oz Felt / Fomalux / PU Foam / Luxury PU Foam / LowTog / Durafit

**Doorbars:** Alloy / Satin Ali / Polished Ali / Anod / Solid Brass / Chrome / Nisheen Seam/Wood/T/Holds: colour \_\_\_\_\_

**Door Clearance:** OK / Low (advise on quote)

**Uplift:** No / Yes (if "Yes" - what type?) \_\_\_\_\_

**Furniture:** No/Yes (if YES, please specify the following) - 1 man / 2 men (Fitter to get paid) £ \_\_\_\_\_ total/per room

**Parking Cost:** Free / £ 250 per hour

**Parking Restrictions:** (type) / £ Ring 60 Numb 1

**Congestion Zone:** No / Yes

**Access:** Easy / Hard / 2 men req'd / 4th floor? PORTERAGE!!

**Runners:** X Whipping / Binding (if binding, specify type) LANCE CUTS + 4th floor furr

**Tape size:** 1 1/2" / 2" / 3" / 5"

**Style:** X Top taping / Side binding

**Stairrods:** X Type \_\_\_\_\_ Nr \_\_\_\_\_ Size \_\_\_\_\_

**Must Read: Customer & or Plumber on site**