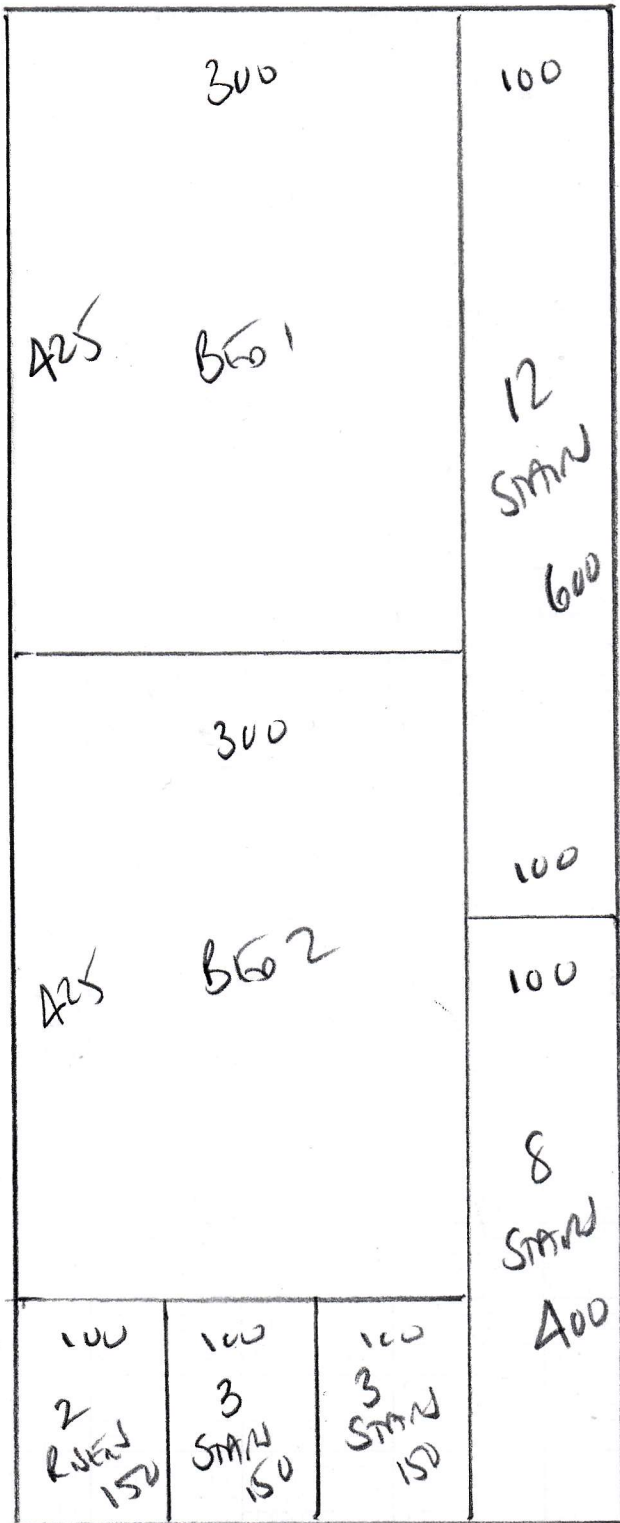


F27946
 MARSTON
 BIMINE CLUSE
 STAINS COUNT
 W/4 95



2 Bedrooms +
2 lights of STAIN

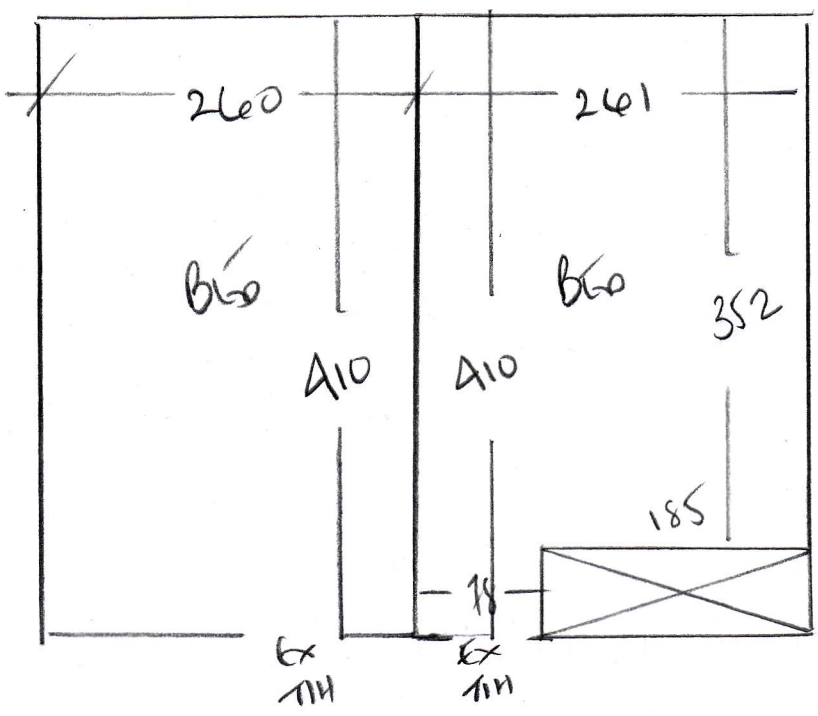
SISAL SUTER BOUKE
 COUPE BOIS BRANCASTER

1000

1000 x 400

Acm?

F27946
 MARSTON
 31 MORE CLOSE
 STAIRS CONT
 W/ 98M



2 BED ROOMS
 CONC FLOORS W/ W/
 CRUNCHIES TILES
 STICK STEEL

TOP FLOOR STAIRS

WOOD NOSING
 RISER 20 x 79
 127
 47 x 78

1ST FLOOR STAIRS

WOOD NOSING
 RISER 20 x 79
 127
 47 x 79

NOT MUCH GAP!!

WOOD STAIRCASES

SOLID FLOORS + CRUNCHIES IN 2 BEDS
 UPLIFT COMBI FEEL / RUBBER IN BEDS + ON STAIRS
 ALLOW AN NEW GRIPPER
 EXUNE WOOD THRESHOLDS - REMOVE WITH BRASS SAND?

F27946

3rd call of 3

Notes for Measure

Estimator: Colin

Ali Marston, 31 More Close

Date of Measure: Tue, 19 Jan 21

At: TBC

*Bas
9:30 - 10:30 AM*

Site Address:

**31 More Close
St. Paul's Court**

LONDON

W14 9BN

CONTACT: As customer details

Mobile	Home	Office
07976-600201		N/P

Customer Address:

**45 More Close
St. Paul's Court**

LONDON

W14 9BN

Email:
alimarston@hotmail.com

Areas to be done and Description of Measure

Measure 2 bedrooms and 2 flights stairs from waste

Instructions and Estimators comments

Super Sisal Boucle Brancaster 1308 - quoted £3,100 subject to site measure

Must Read!

Please call Ali on Monday for approx ETA

Office Ref: F27946

Ali Marston, 31 More Close

Date of Measure Tue, 19 Jan 21

At TBC

Floor: Wood / Concrete / other _____
Stone 2005

S/edge: Wood/Concrete/No pin/existing (if existing, allow ___ sticks to supplement where necessary) *600*

Sticking Req'd: Yes/No Type: Fastset/Other *Yes*

Underlay: Re-use Existing / New required

Type: 42oz Felt / Fomalux / PU Foam / Luxury PU Foam / LowTog Durafit

Doorbars: Alloy / Satin Ali / Polished Ali / Anod / Solid Brass / Chrome / Nisheen Seam/Wood/T/Holds: colour _____
all up to me

Door Clearance: OK / Low (advise on quote)

Uplift: No / Yes (if "Yes" - what type?) Felt / Ullan *Rubber Conbi*

Furniture: No / Yes (if YES, please specify the following) - 1 man / 2 men (Fitter to get paid) £_____ total/per room

Parking Cost: Free / £_____ per hour

Parking Restrictions: (type) / £ GATE CODE REQUIRED?

Congestion Zone: No / Yes

Access: Easy / Hard / 2 men req'd / _____ floor? *TP*

Runners: Whipping / Binding (if binding, specify type) *Partners!!*

Tape size: 1 1/2 / 2" / 3" / 5" *park distance from front*

Style: Top taping / Side binding

Stairrods: Type _____ Nr _____ Size _____

Must Read: Please call Ali on Monday for approx ETA