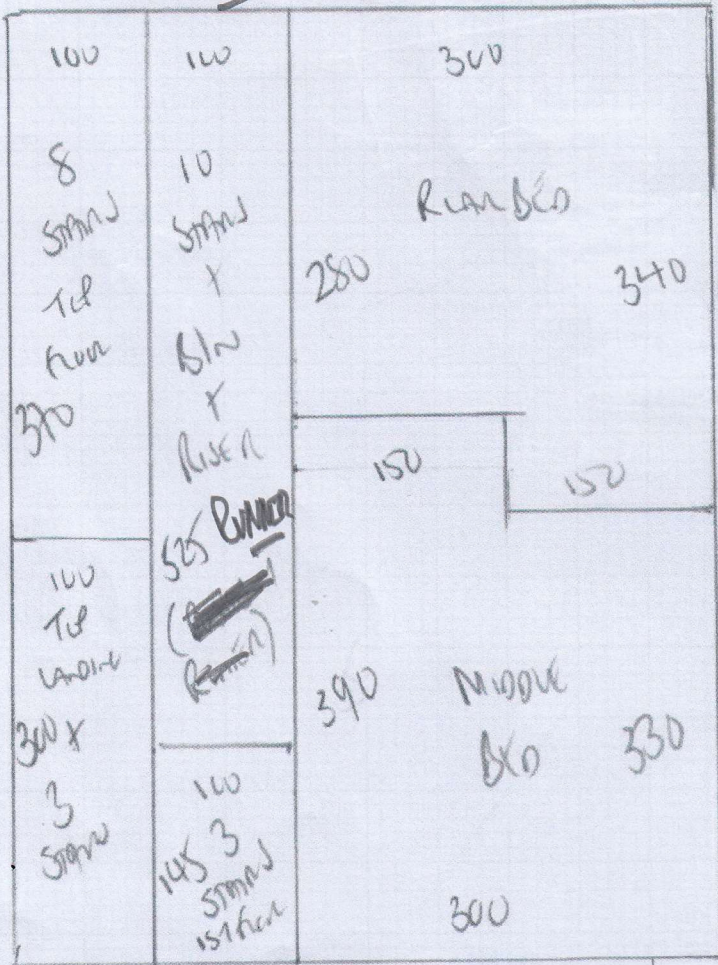


CUT TO - 60 Down



F 2807
MC Down
25 AUG 1960
SWB 640

1-4

ABOS

SPANS, LANDINGS

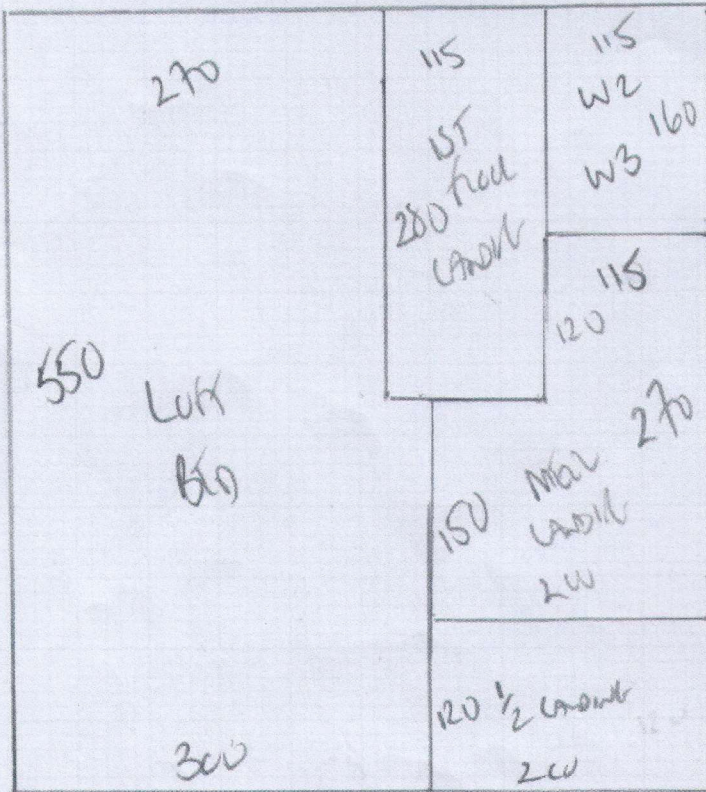
SCREW TWIST 'SO'
LOCAL SWB 044

Row 1 670 x 500

Row 2 550 x 500

Row 3 380 x 500

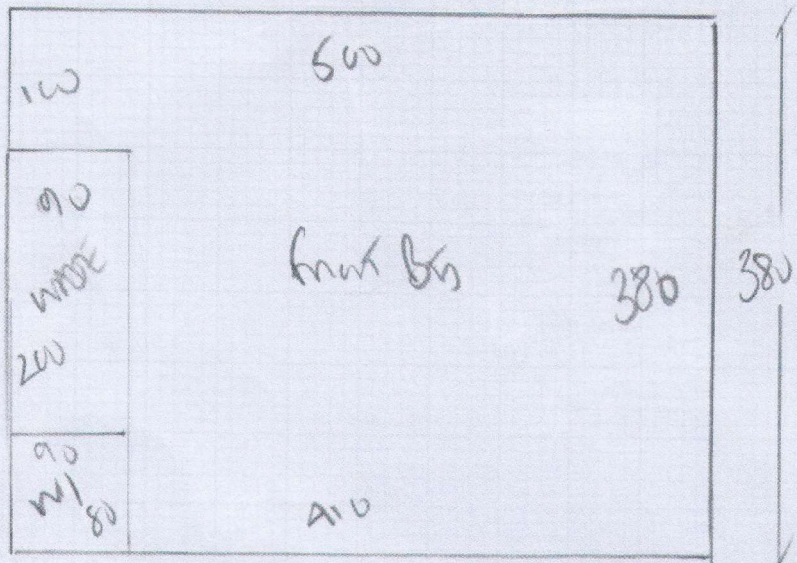
1600 x 500



550

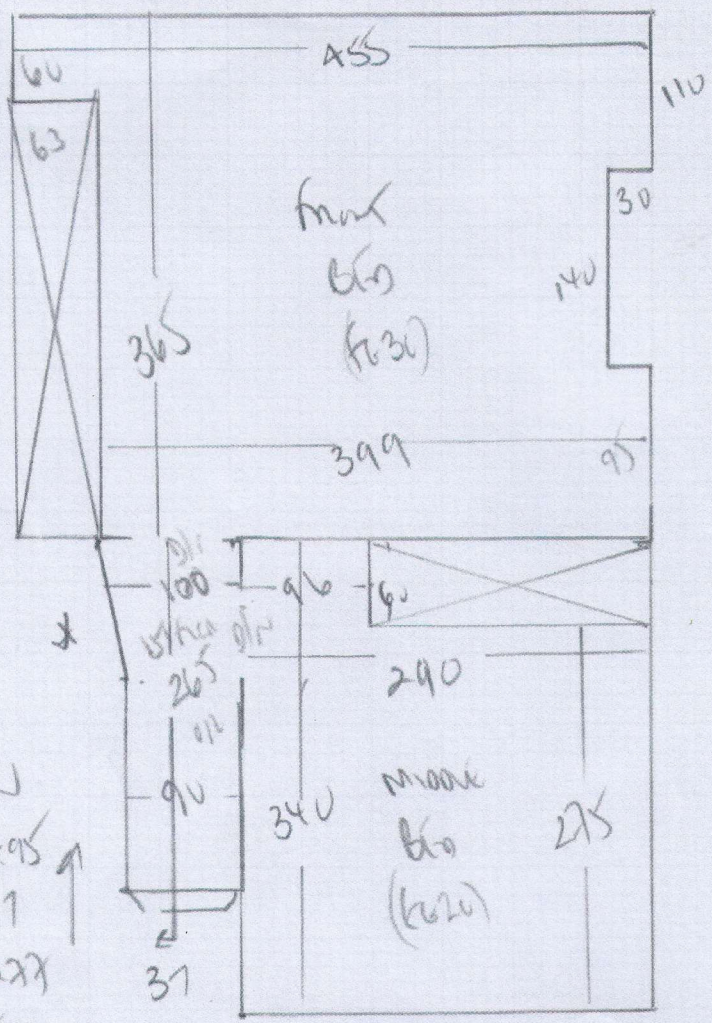
80m²

~~TRUE TO CONDM~~



F 2807
 McDowell
 25 Avenue D
 SW 640

2

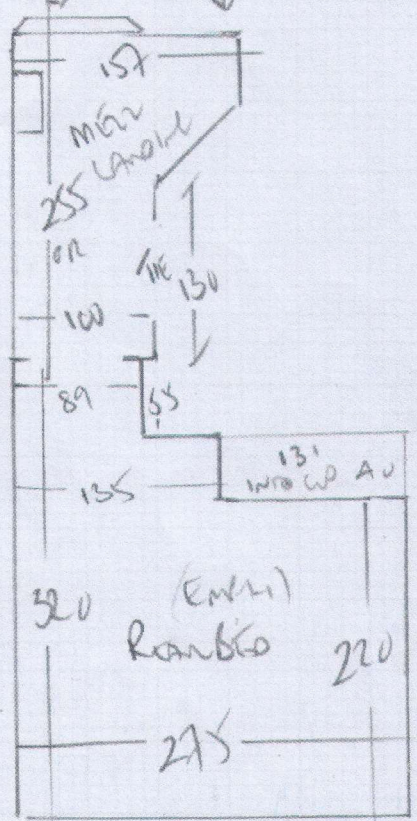


F2807
 McDowen
 25 AUSTINE RD
 SW6 6AD

34

15/16th

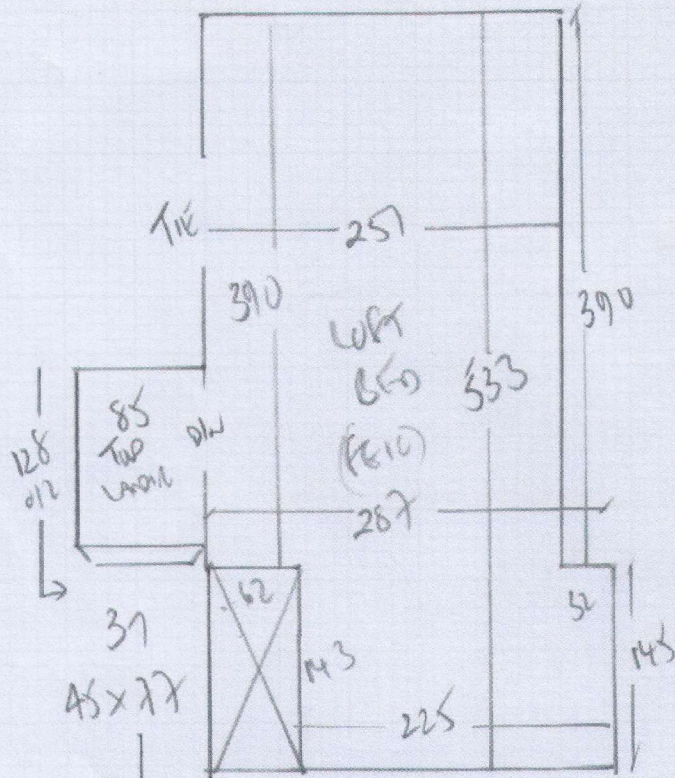
60m
 45x95
 107
 45x77
 18x75
 45x77



90x100

F28017
 McDowell
 25 AUGUST 1960
 SW 6AD

4-4



- ↑ 101st floor
- * w3 66 x 95
- w2 66 x 108
- w1 60 x 85

↑ 87
 45 x 76

