

F28268
~~F25992~~
 MOSS
 18A MACLISE ROAD
 W14 0PR
 1 OF 2

FINELOOP -
 FL0-506

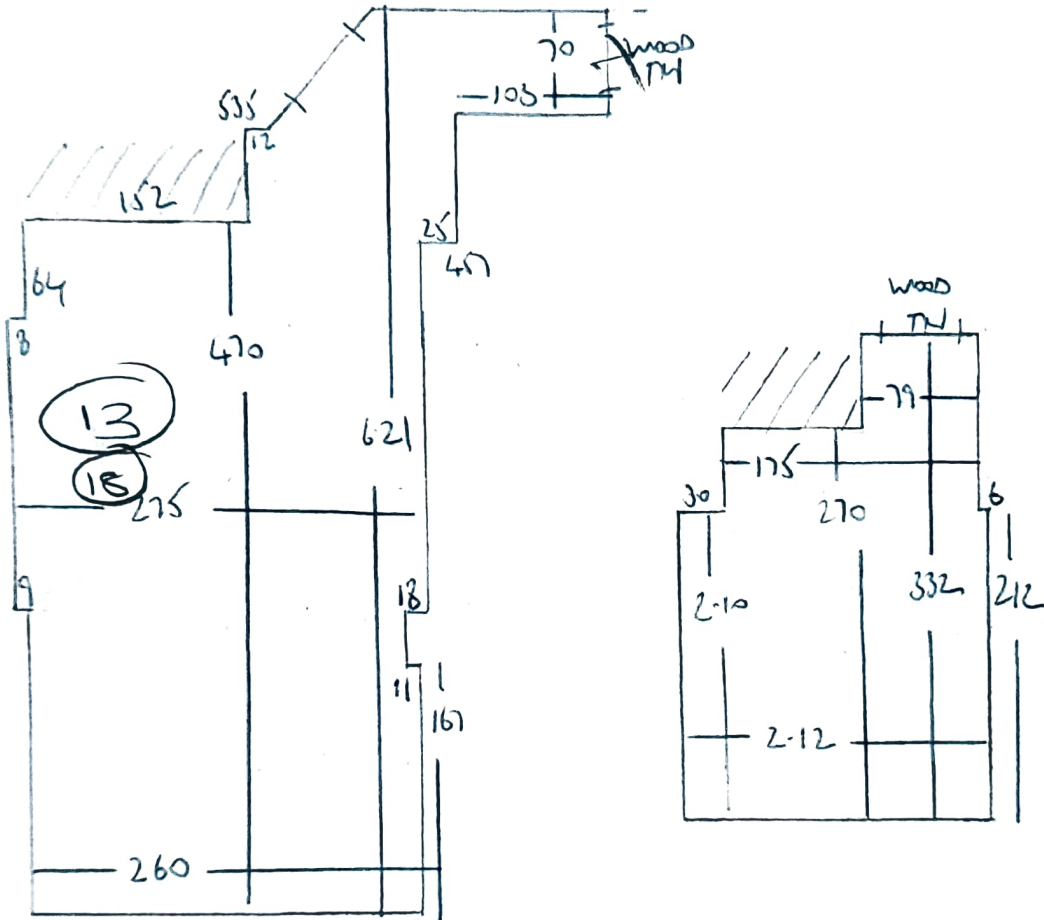
~~MORZINNE 107~~

635 x 500M
 = 3175M²

* WITH WASTE *

F28268
 F28942 MOSS
 18A MACUSE ROAD
 18A MACUSE ROAD
 WILY OPA

2 of 2



*
 MUST MEASURE
 WASTE FOR BACK
 DOOR MAT *

MAT 1.53x1.25
 INTO EXISTING WELL