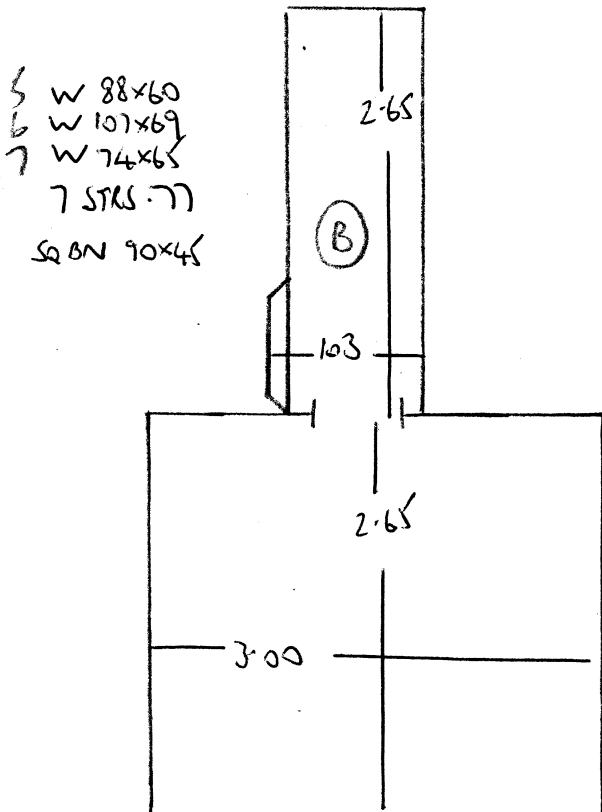
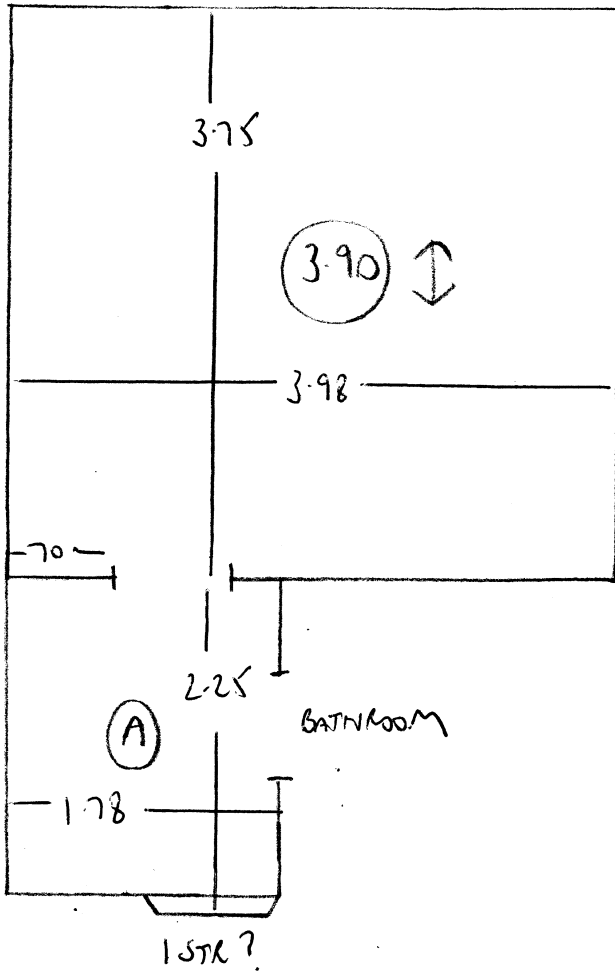


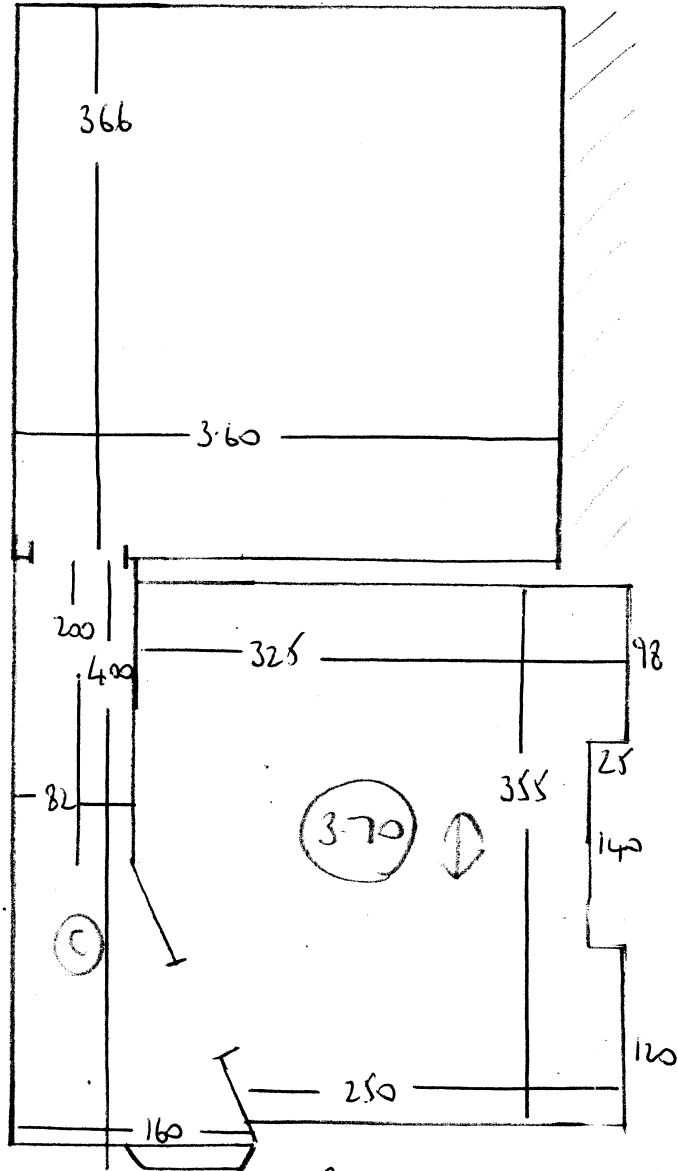
TOP FLOOR

F28054  
 WDN  
 71 SOUTH WESTERN ROAD  
 TWI ILG

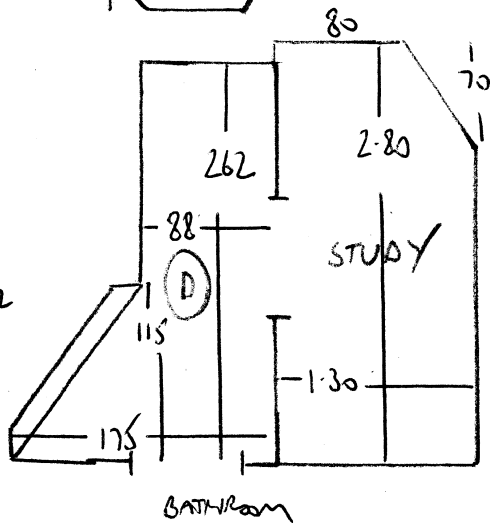


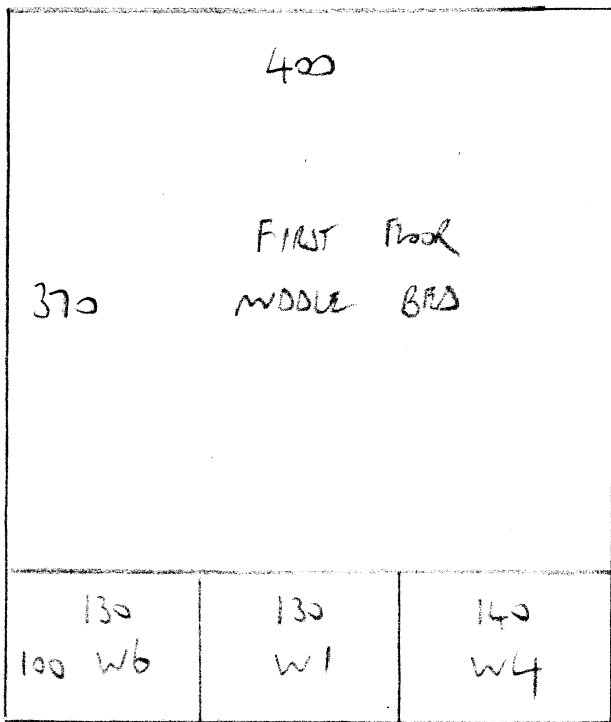
FIRST FLOOR

F28054  
 WOOD  
 71 SOUTH WESTERN ROAD  
 TW1 1LG



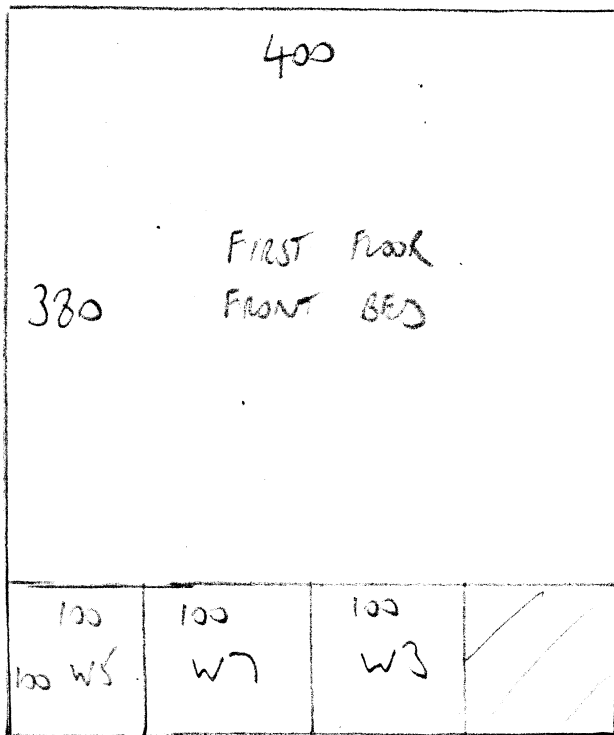
- 1 W 105x65
- 2 W 75x52
- 8 STRS 77x42
- 3 W 83x55
- 4 W 110x60
- G/F



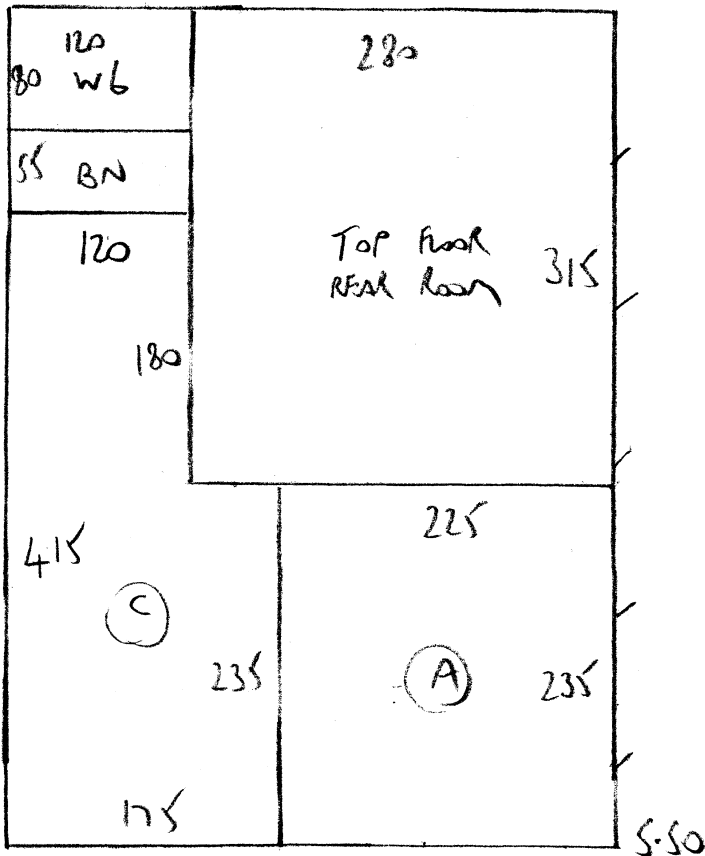


F28054  
WOOD  
71 SOUTH WESTWARD  
TWI ILG

470



480



F28054  
 WOOD  
 71 SOUTH WESTERN ROAD  
 TWI 1165

4.80 CIP  
 4.70 CIP  
 3.90 TOP FRONT BEDS  
 5.50 CIP  
 5.80 CIP - CUT LAST

15.20

