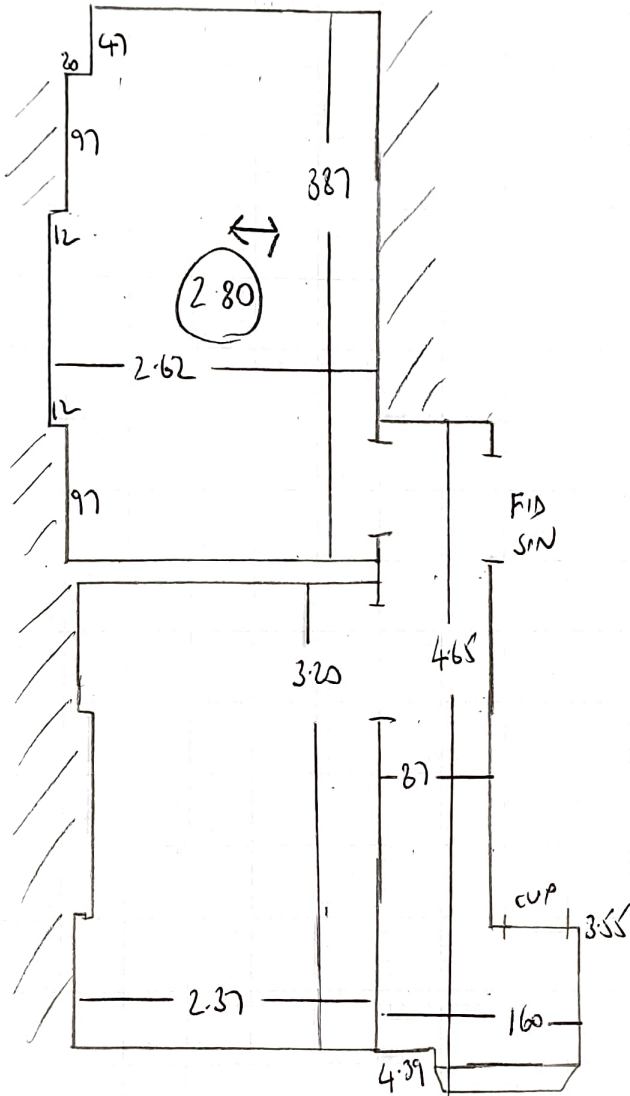


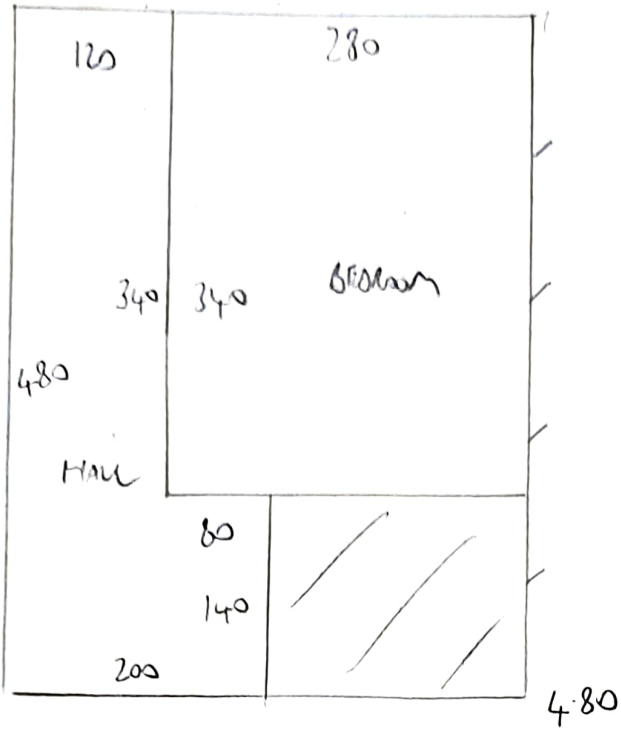
F28349
KEMP
54 PROTHERS ROAD
SW6 7LZ

1 2



CARPET DOWN
FURNITURE
ALL - BOOK SOLD

ULLSWATER ULS-43 19.75 10%



F28349
 KEMP
 54 PROTHIASO ROAD
 sub 762

2 2

2.80 LIVING ROOM
 4.80 CIP

 $7.60 \times 4.00 = 30.4M^2$