

F28419
 ESLEY
 12 ENERGY STRIP
 SWB 6EY
 1 OF 3

PERU 202

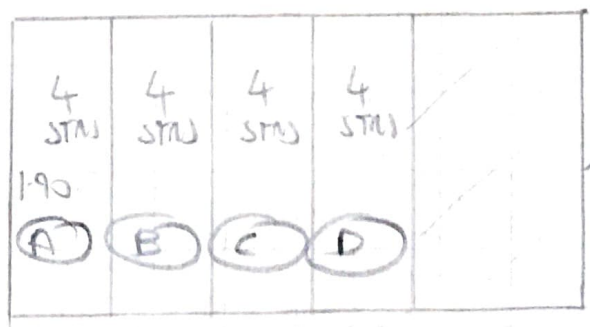
$7.40m \times 4.00m = 29.6m^2$

- BEDROOMS :
- 3.75
 - 3.75
 - 3.55
 - 4.85
 - 3.75
 - 5.35

XANADU
 XAN - 903

$25.00m \times 4.00m = 100m^2$

MAIN STAIRS
 1.90x 4.00
 = 7.6m²
 L PIECES
 MATCH



FINELOOD
 STRIPE
 FST-1511

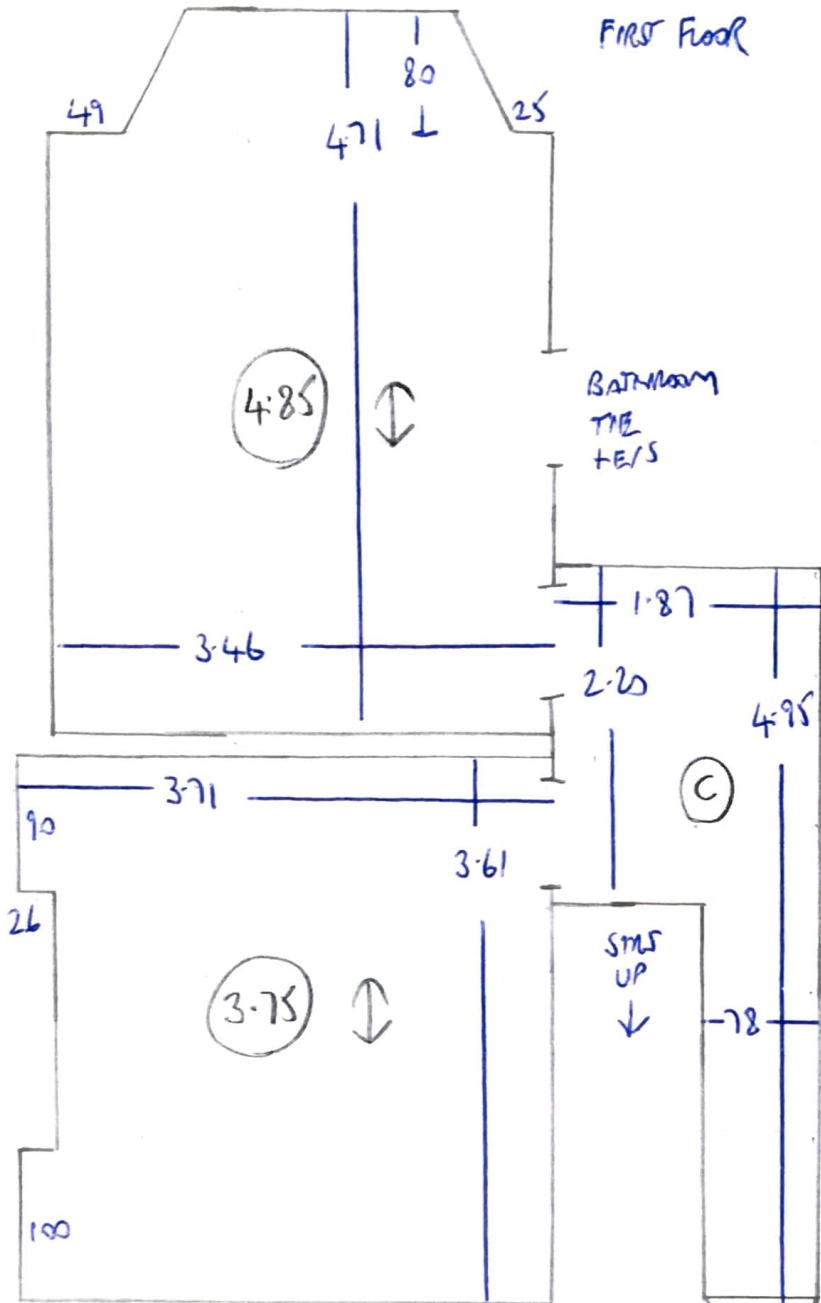
STAIRS - RUNNER 60CM

HB-323S

* MATCH STRIPE *

(CHS SMOKEY)

FIRST FLOOR

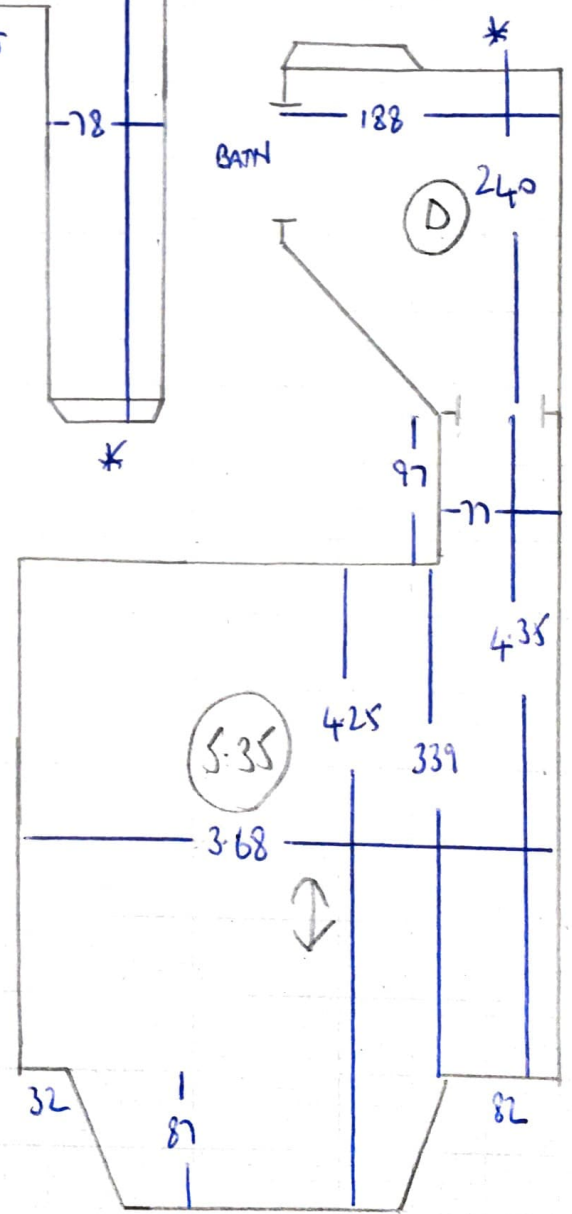


F28419
 ESLEY
 12 EMBERBY STREET
 SW6 6EY

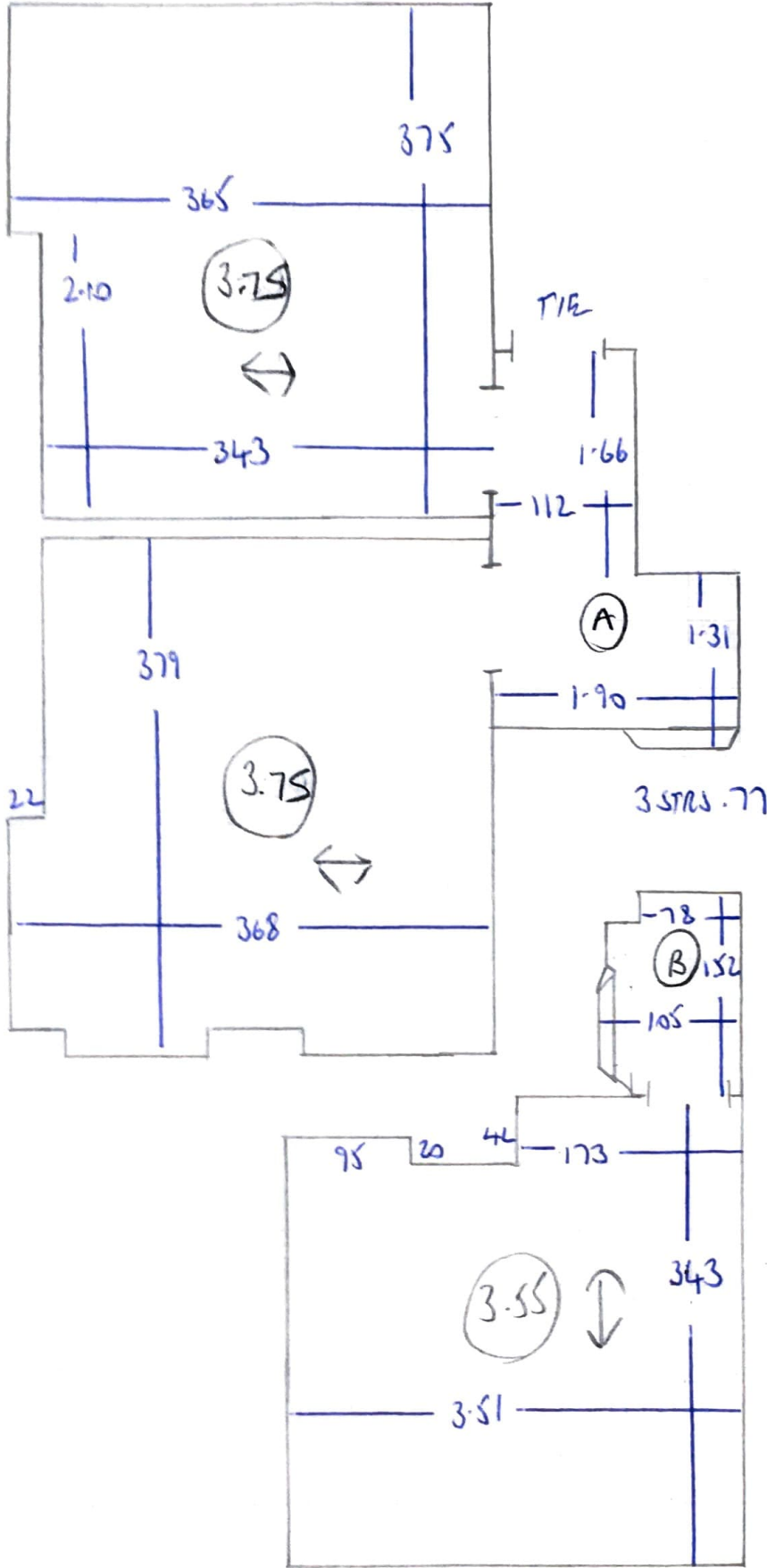
2 of 3

G/F

GN 95x45
 12 STAIR 80
 RISER 80x17 } RUNNER



TOP FLOOR



F28419
 ESLEY
 12 ENERGY STREET
 SW6 6EY

3 OF 3

3 STRS 77

- 1 STR 67
- 1 W 94x63
- 2 W 103x63
- 3 W 74x55
- 9 STRS 77