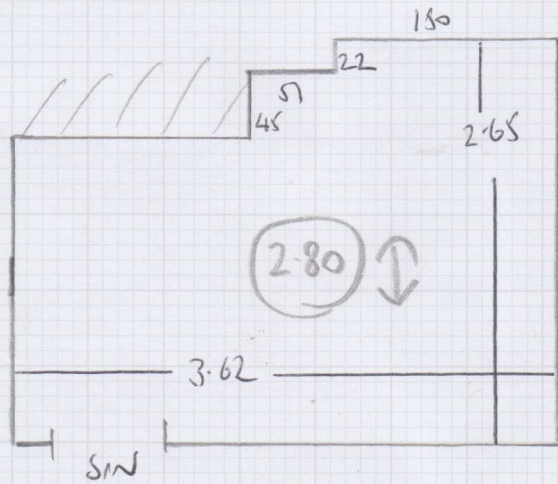
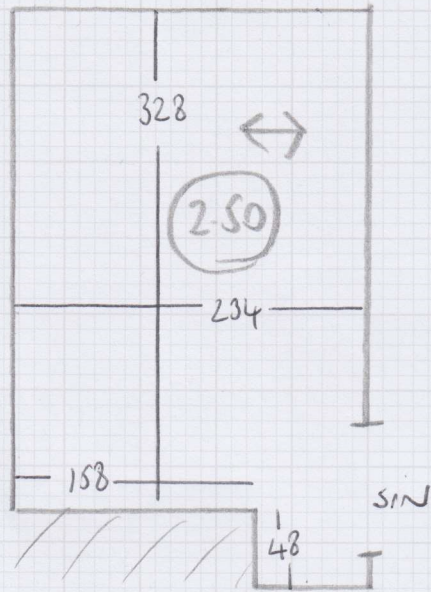




Job No: F28484
Name: CHASTON
Address: 2165 EARLS COURT ROAD
SWS 9QB
Tel:
Sheet: 1 OF 1



ULLS WATER

ULLS-29

2.50

2.80

$5.30 \times 4.00 = 21.2m^2$