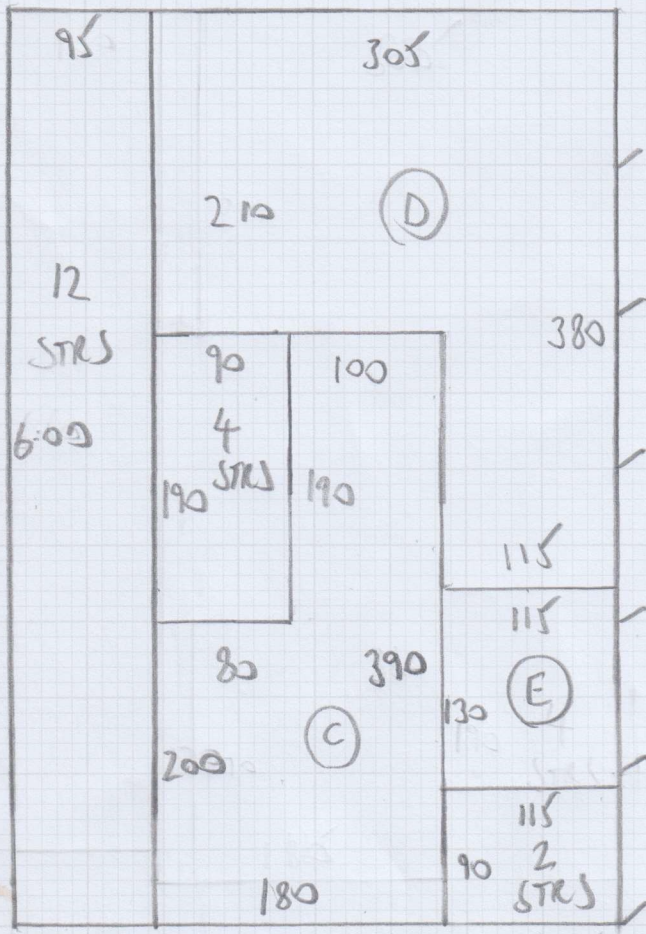


FIF LANDINGS & STAIRS DOWN



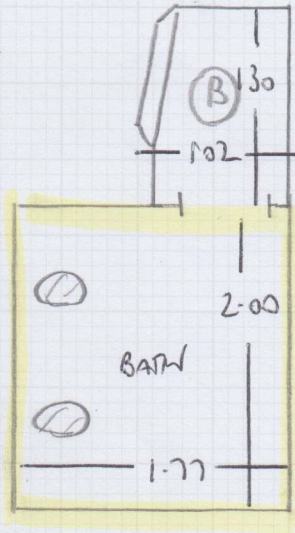
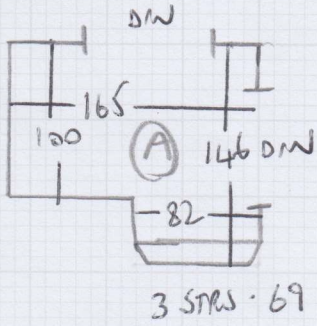
Job No: F28344  
 Name: LEA  
 Address: 15 CAVAYE PLACE  
 SW10 9PR  
 Tel: \_\_\_\_\_  
 Sheet: 1 of 2



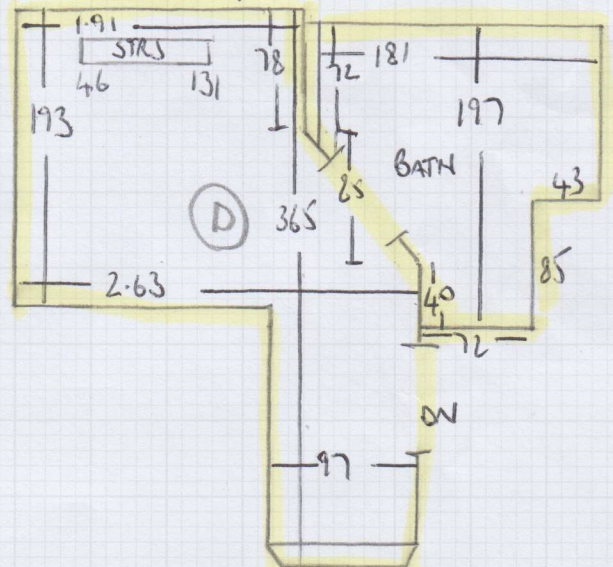
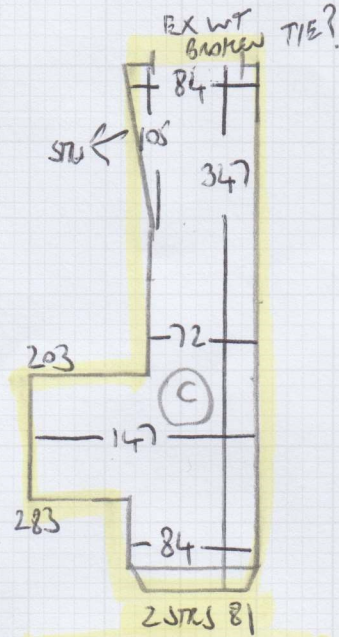
NEW ENGLAND  
 NEWPORT - NE-6006  
 6-50 x 4MTR  
 ORDERED \*

Job No: FZ8344  
 Name: LEA  
 Address: 15 CAVATE PLACE  
 SW10 9PR

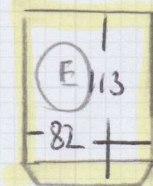
Tel:  
 Sheet: 2 OF 2



- 1 W 100x56
- 2 W 116x76
- 3 W 73x65
- 4 STRS 73
- 4 W 85x58
- 5 W 115x56
- 6 W 106x68



12 STRS 81



4 STRS 81

mat 3.10 x .87

3 BOXES

2 x BATHROOMS

SELECT

CLASSIC OAK 24837

6MM PLYWOOD

+ FEATHER JOINTS