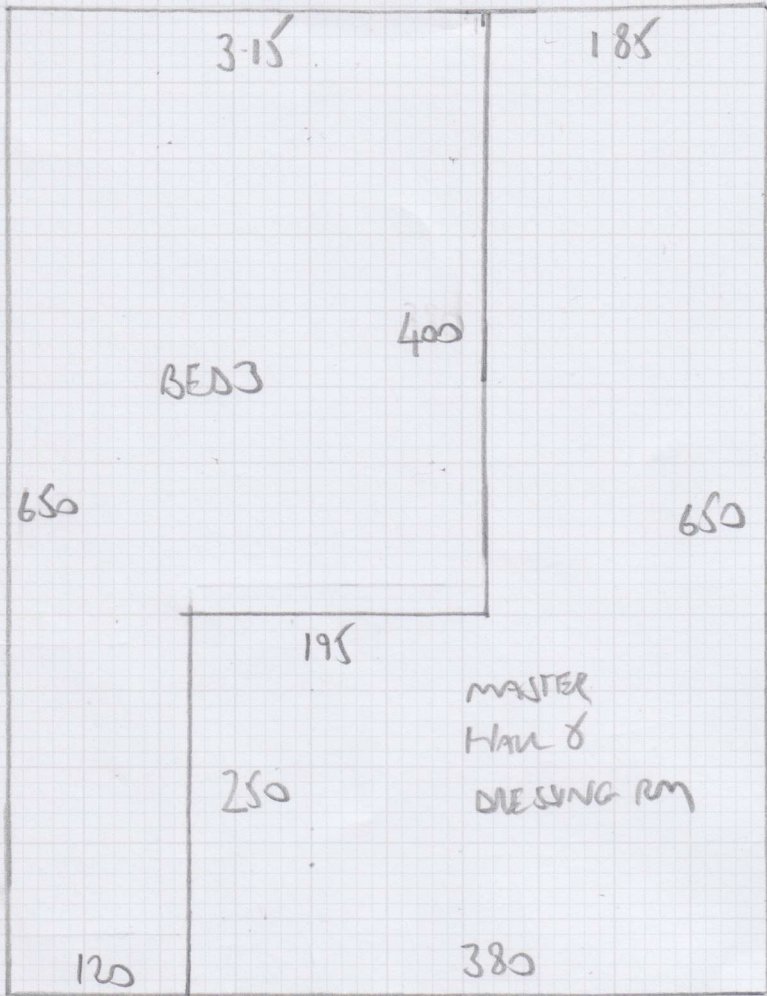




Job No: F28412  
Name: DAWN GARLAND DESIGN  
Address: THE OLD LAUNDRY  
PEPER HARROW GU8 6BE  
Tel:  
Sheet: 1 OF 3 ✓



$$6.50m \times 5.00m = 32.5m^2$$

$$5.35m$$

$$3.40m$$

$$4.80m$$

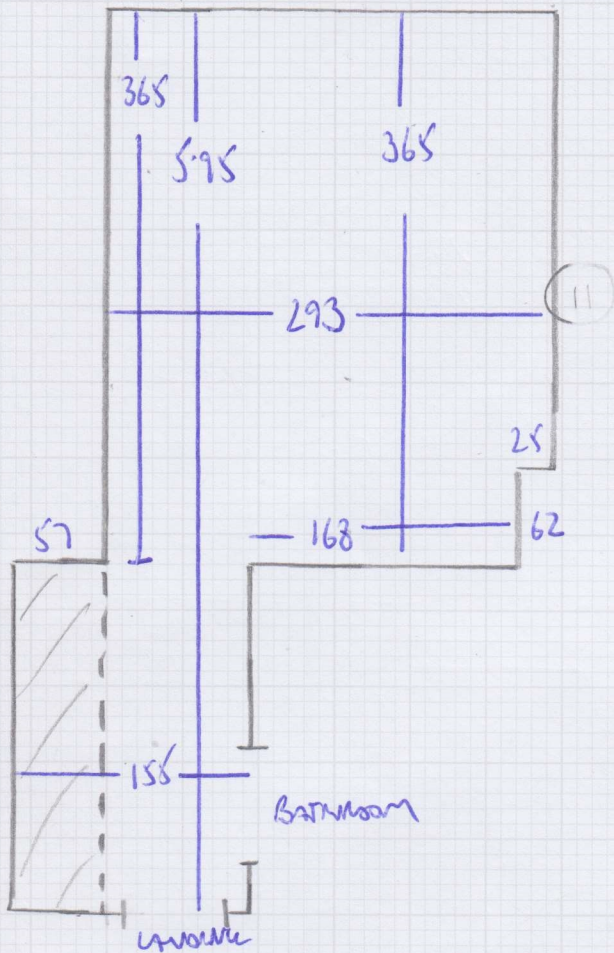
$$13.55m \times 3.66 = 49.60m$$

$$82.10m$$

WEST END

PRESTIGE CLAY

BEDROOM 3



Job No: F28412

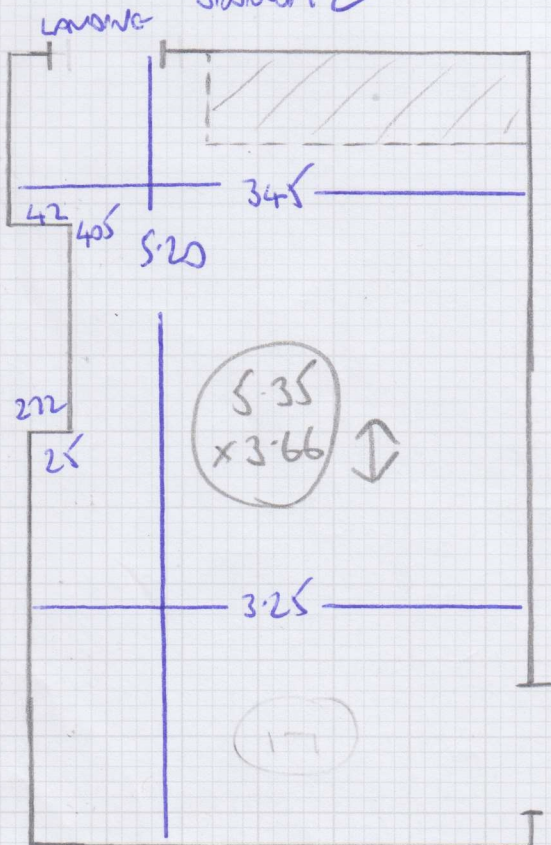
Name: DAWN GARLAND DESIGN

Address: THE OLD LAUNDRY  
PEPER HARROW GU8 6BE

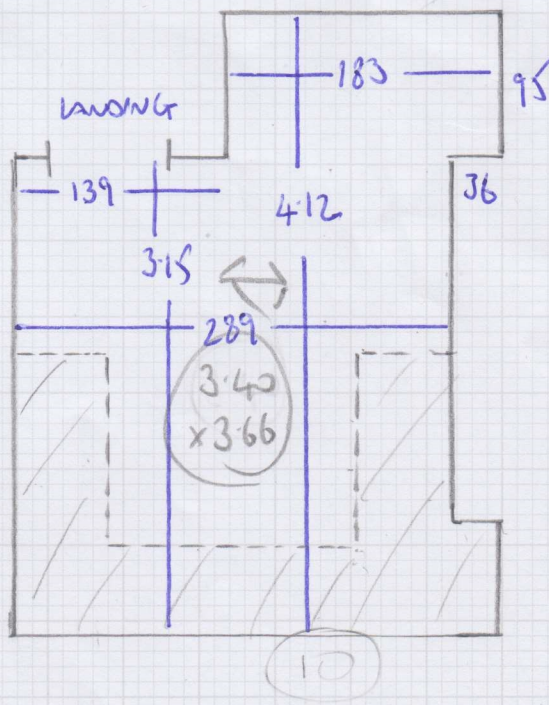
Tel:

Sheet: 2 OF 3

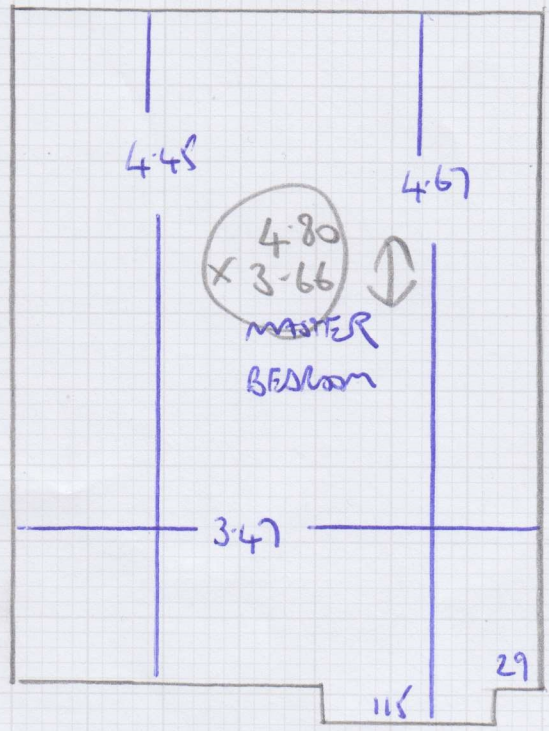
BEDROOM 2



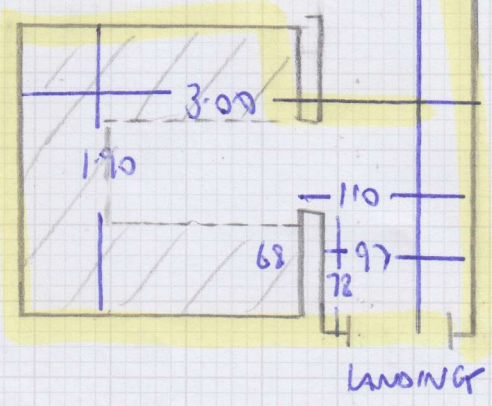
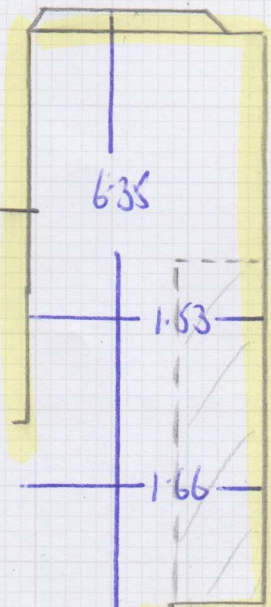
DRESSING ROOM



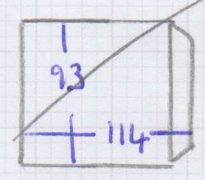
Job No: F28412  
 Name: DAWN CARLIND DESON  
 Address: THE OLD LAUNDRY  
 PETER HARBOR, GUS 6BE  
 Tel: \_\_\_\_\_  
 Sheet: 3 of 3



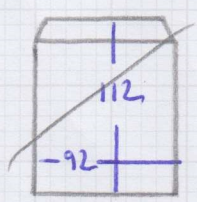
Low Tog Underlay Here



~~RUBER 88x18  
 4 STRS 91.5~~ ← CAN'T DO RUBER ← START FROM STEP



1 STR 91.5



- ~~9 STRS 91.5~~
- ~~1 W 110x69~~
- ~~2 W 124x78~~
- ~~3 W 85x66~~
- GIF